

PLEASE CHECK WWW.MOLEX.COM FOR LATEST PART INFORMATION

Part Number: [0731750010](#)
Status: **Active**
Overview: [rf microwave coax connectors](#)
Description: 50 Ohms Triax Jack, Bulkhead, Straight, Solder with Ground Lugs

Documents:

[Drawing \(PDF\)](#) [RoHS Certificate of Compliance \(PDF\)](#)

General

Product Family	RF/Coax Connectors
Series	73175
More Detailed Tech Information	rf@molex.com
Overview	rf microwave coax connectors
Product Name	TRIAX
Style	PCB
Wire/Cable Type	N/A

Physical

Cable Attachment	Clamp
Gender	Jack
Keying to Mating Part	Yes
Orientation	Straight
PCB Mounting	N/A
Packaging Type	Bag
Panel Mount	Yes
Panel Mount Method	Bulkhead
Reverse Polar	No

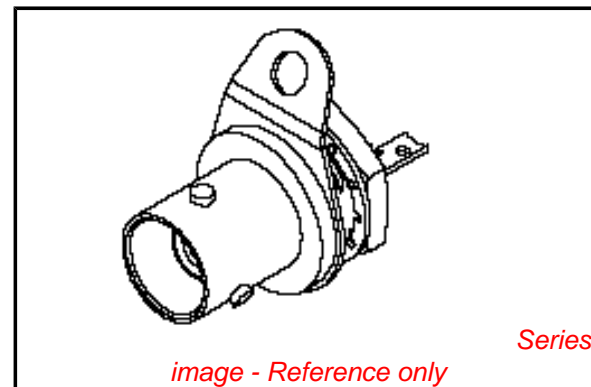
Electrical

Impedance	50#
-----------	-----

Material Info

Reference - Drawing Numbers

Sales Drawing	SD-73175-001
---------------	--------------



EU RoHS

RoHS Compliant RF Product

REACH SVHC

Not Reviewed

Low-Halogen Status

Not Reviewed

China RoHS



Need more information on product environmental compliance?

Email productcompliance@molex.com
 For a multiple part number RoHS Certificate of Compliance, [click here](#)

Please visit the [Contact Us](#) section for any non-product compliance questions.

Search Parts in this Series

73175Series