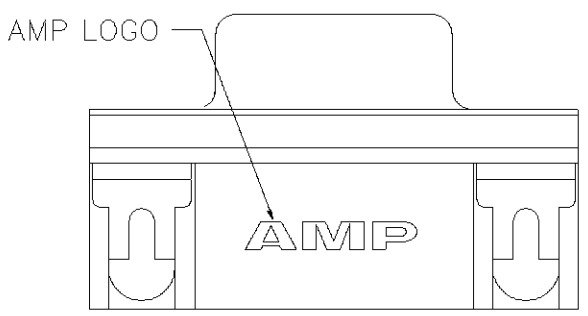
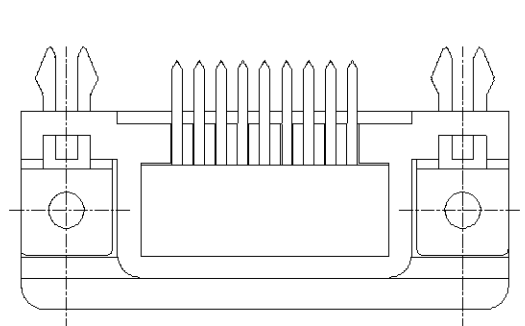
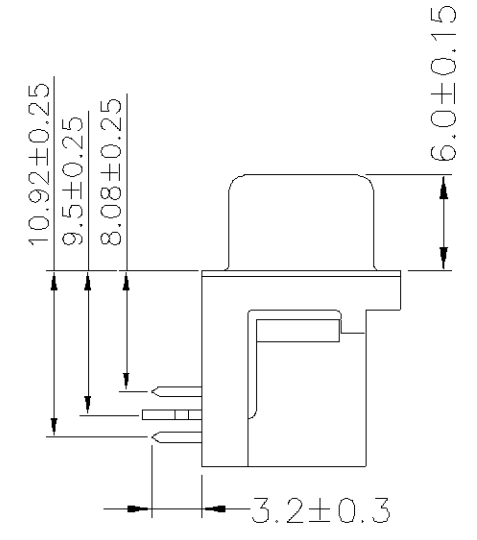
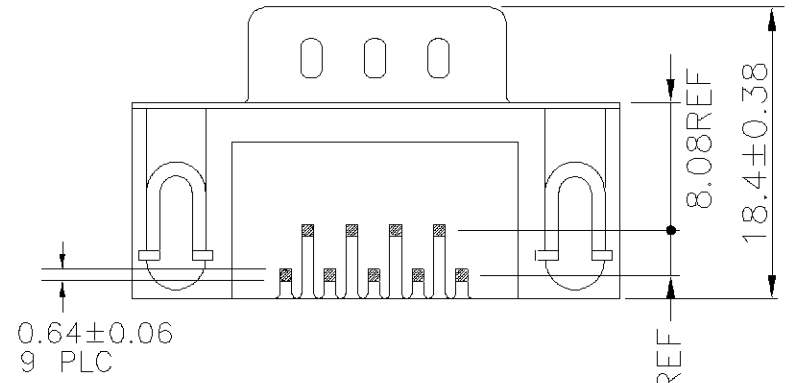
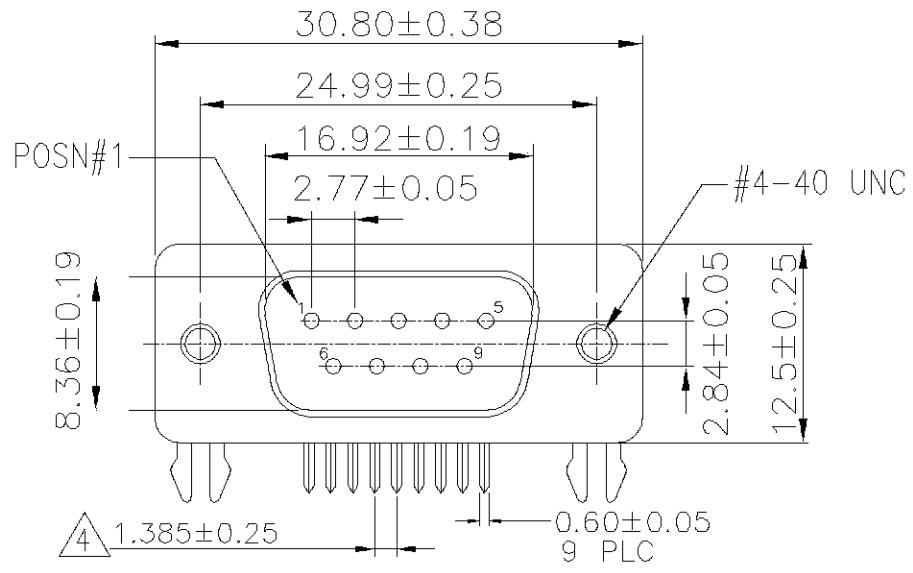


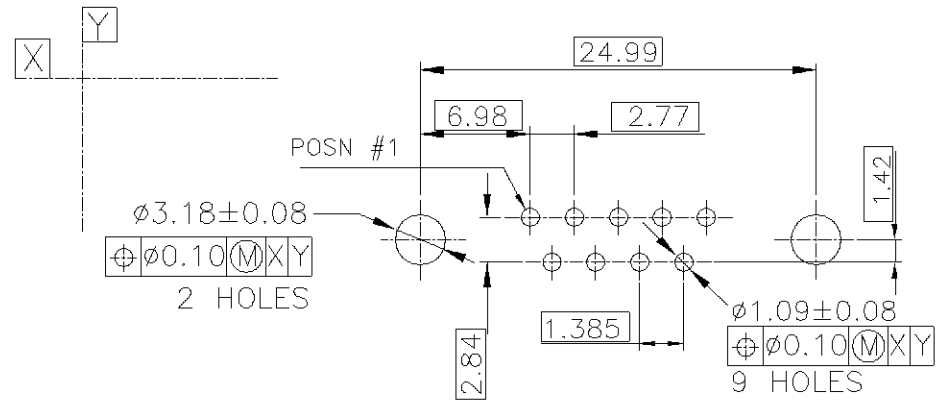
THIS DRAWING IS UNPUBLISHED. RELEASED FOR PUBLICATION  
 © COPYRIGHT 19 BY AMP INCORPORATED. ALL RIGHTS RESERVED.

LOC	DIST	REVISIONS					
DW	00	P	LTR	DESCRIPTION	DATE	DWN	APVD
		B		ADD -4, FW00-0058-00	03AUG00	AW	JC



- ① HOUSING: PBT, UL 94V-0 RATED, COLOR (SEE TABLE)  
 CONTACTS: BRASS  
 SHELL: STEEL.  
 BOARDLOCKS: BRASS.  
 THREADED INSERTS: BRASS.
- ② CONTACTS: GOLD PLATED (SEE TABLE) ON MATING END, 2.54µm[.000100in] MIN TIN-LEAD ON SOLDER TAILS ALL OVER 1.27µm[.000050in] MIN NICKEL ON ENTIRE CONTACT.  
 SHELL: NICKEL PLATED.  
 BOARDLOCK: TIN OR TIN-LEAD PLATED 2.54µm[.000100in]  
 THREADED INSERT: NICKEL PLATED 0.76µm[.000030in].
- ③ SPECIFICATIONS:  
 CURRENT RATING: 2 AMPS. (SIGNAL APPLICATION ONLY)  
 VOLTAGE RATING: 250 VAC.  
 DIELECTRIC WITHSTANDING VOLTAGE: 500 VAC(RMS).  
 INSULATION RESISTANCE: 1000 MEGOHMS MIN.  
 CONTACT RESISTANCE: 20 MILLIOHMS MAX.  
 OPERATING TEMPERATURE: -55° TO 105°C.
- ④ DIMENSION IS NON-CUMULATIVE.
- 5. SPECIFICATIONS SUBJECT TO CHANGES WITHOUT NOTICE.  
 CONTACT AMP FOR THE LATEST SPECIFICATIONS.

Packaging	Color	Contact Finish	AMP Part NO.
Tube	Black	0.25µm[.000010in]	788754-4
Tray	Black	0.25µm[.000010in]	788754-3
Tray	Black	0.38µm[.000015in]	788754-2
Tray	Black	Gold-Flash	788754-1



P.C.B LAYOUT  
 {1.57 (.062) PC Board Thickness}

THIS DRAWING IS A CONTROLLED DOCUMENT.		DWN	A. WU	03AUG00	AMP Incorporated IPO
DIMENSIONS: MM		CHK	J. CHENG	03AUG00	
TOLERANCES UNLESS OTHERWISE SPECIFIED:		APVD	J. WU	03AUG00	
0 PLC ± - 1 PLC ± 0.3 2 PLC ± 0.2 3 PLC ± 0.1 4 PLC ± - ANGLES ± -		PRODUCT SPEC SEE NOTES ③		NAME	
MATERIAL SEE NOTES ①		FINISH SEE NOTES ②		PLUG ASSEMBLY, 9 POSN, RIGHT ANGLE, 8.08mm[0.318in] SERIES, AMPLIMITE	
CUSTOMER DRAWING		WEIGHT	-		RESTRICTED TO
SCALE 1:1		SHEET 1 OF 1	DRAWING NO. A3 00779 ©-788754		REV B