

MATERIALS AND FINISHES

BODY ZINC ALLOY
PLATED NICKEL

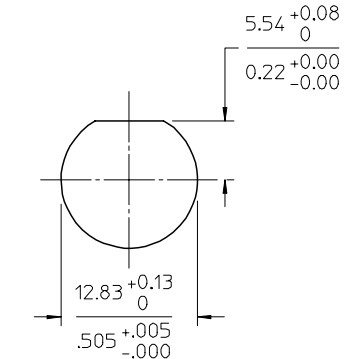
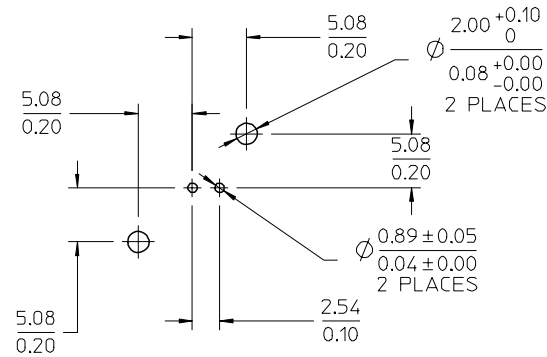
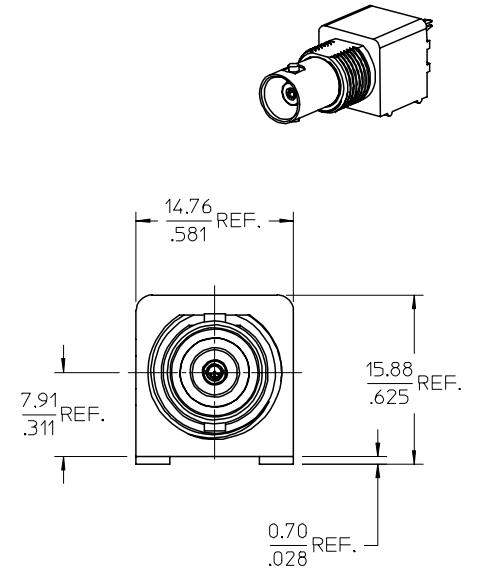
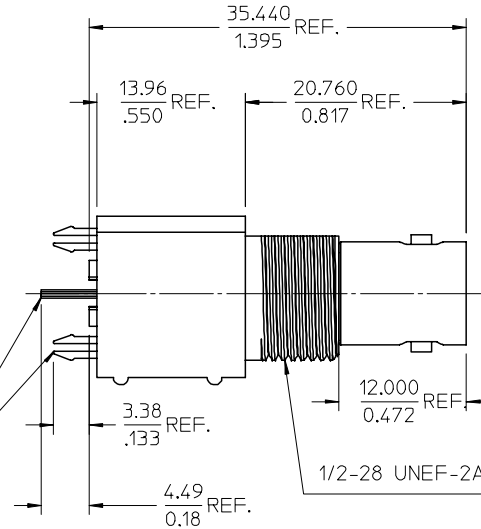
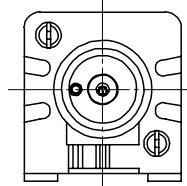
HOUSING POLYESTER BUTYLENE TEREPHTHALATE (BLACK)

CENTER PHOSPHOR BRONZE
PLATED GOLD

INSULATOR POLYPROPYLENE

SOLDER TAIL COPPER OVER STEEL WIRE
PLATED TIN

HEADS ARE ADJUSTABLE
FIT IN GAUGE



PCB HOLE CONFIGURATION

RECOMMENDED MOUNTING HOLE
RECOMMENDED MOUNTING TORQUE:
5.0 IN-LBS MAX.
PANEL THICKNESS: .216(5.5)MAX.

PS-73598-0050	PRODUCT SPECIFICATION
SPECIFICATION	DESCRIPTION

NEW RELEASED FCC NO: URF2008-0102 DRAWN BY: DRWANELIN CHKD: 2007/08/22 APPR: MJIANG REV: A	DESCRIPTION 2007/08/21 2007/08/22 2007/08/23	QUALITY SYMBOLS =0 =0	GENERAL TOLERANCES (UNLESS SPECIFIED)		DIMENSION STYLE		SCALE	DESIGN UNITS	THIRD ANGLE PROJECTION	
			mm	INCH	MM/IN		METRIC			
4 PLACES ±			±		DRAWN BY: GMH		DATE: 2003/02/07		TITLE: BNC JACK VERTICAL PCB	
3 PLACES ±			±		CHECKED BY: --		DATE: 2003/02/07		50 OHMS	
2 PLACES ±			±		APPROVED BY: --		DATE: 2003/02/07		BNC-J/PCB	
1 PLACE ±			±		MATERIAL NO. 731711470		DOCUMENT NO. SD-73171-147		SHEET NO. 1 OF 1	
ANGULAR ±			°		SIZE C		THIS DRAWING CONTAINS INFORMATION THAT IS PROPRIETARY TO MOLEX INCORPORATED AND SHOULD NOT BE USED WITHOUT WRITTEN PERMISSION		MOLEX INCORPORATED	