

PLEASE CHECK WWW.MOLEX.COM FOR LATEST PART INFORMATION

Part Number: **0731375013**
Status: **Active - Custom**
Overview: bnc
Description: BNC 50 Ohm, Right Angle PCB Bulkhead Jack Receptacle, White PBT Housing, Height 13.20mm (.520"), Nut and Lockwasher included, Tin (Sn) Plated Leads

Documents:

[Drawing \(PDF\)](#) [RoHS Certificate of Compliance \(PDF\)](#)

Agency Certification

CSA LR19980
 UL E107635

General

Product Family RF/Coax Connectors
 Series 73137
 Comments 13.20mm (.520") Profile
 More Detailed Tech Information rf@molex.com
 Overview bnc
 Product Name BNC
 Style PCB
 Wire/Cable Type N/A

Physical

Cable Attachment N/A
 Flammability 94V-0
 Gender Jack
 Keying to Mating Part None
 Orientation Right Angle
 PCB Mounting Through Hole
 PCB Thickness - Recommended 4.00mm (.157")
 Packaging Type Tray
 Panel Mount Yes
 Panel Mount Method Bulkhead
 Reverse Polar No

Electrical

Impedance 50#

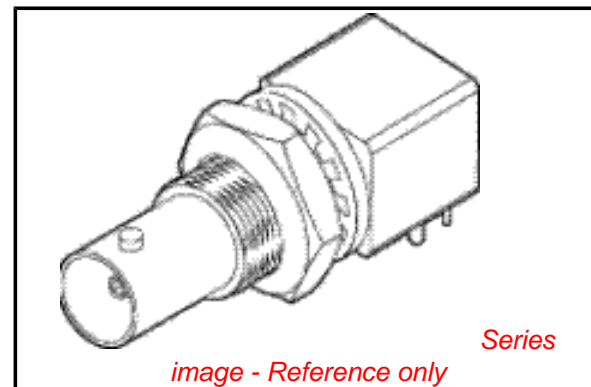
Solder Process Data

Duration at Max. Process Temperature (seconds) 10
 Lead-free Process Capability Wave Capable (TH only)
 Max. Cycles at Max. Process Temperature 1
 Process Temperature max. C 245

Material Info

Reference - Drawing Numbers

Sales Drawing SD-73137-5013



EU RoHS

RoHS Compliant RF Product

REACH SVHC

Not Reviewed

Low-Halogen Status

Not Halogen-Free

China RoHS



Need more information on product environmental compliance?

Email productcompliance@molex.com
 For a multiple part number RoHS Certificate of Compliance, [click here](#)

Please visit the [Contact Us](#) section for any non-product compliance questions.

Search Parts in this Series

73137Series