

10 9 8 7 6 5 4 3 2 1

F

E

D

C

B

A

F

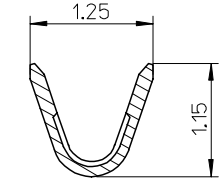
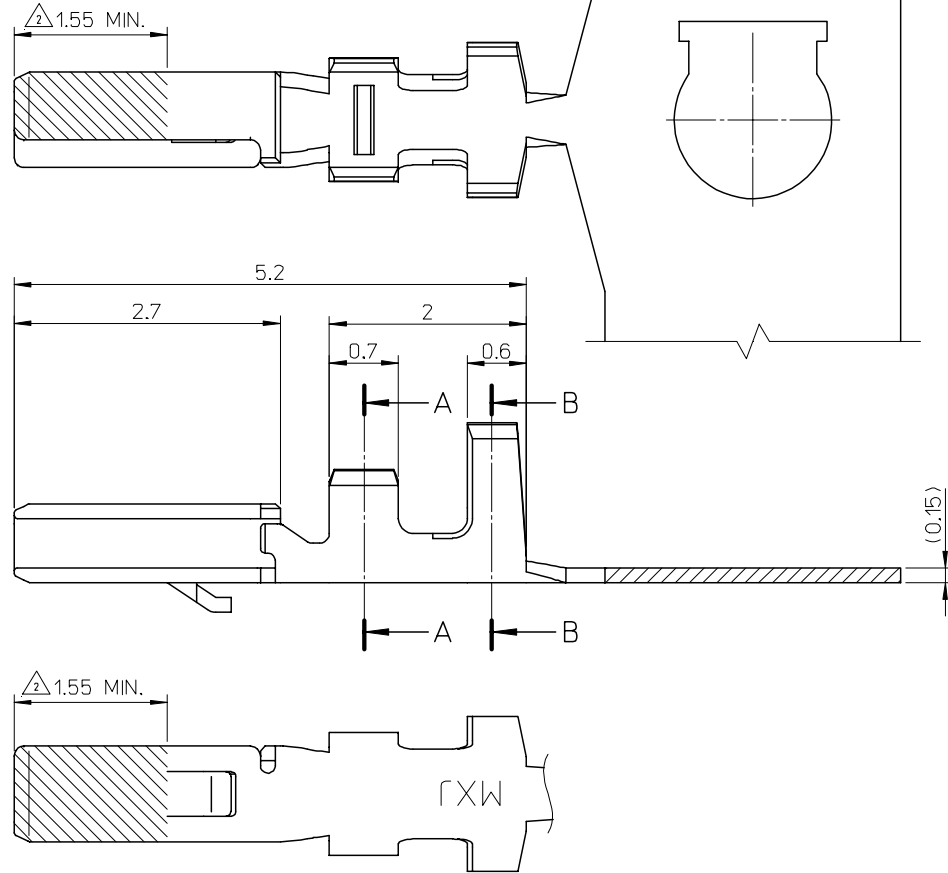
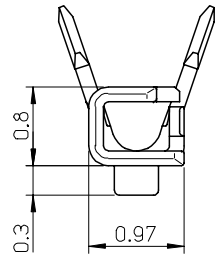
E

D

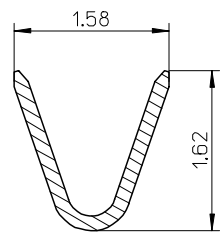
C

B

A



SECTION A-A



SECTION B-B

NOTES

- 適合ハウジング: 502380-****
APPLICABLE HOUSING: 502380-****
- 図示の斜線部の範囲は、接点部のため、傷、打痕、汚れなどを付けないようにして下さい。
PLEASE DON'T DAMAGE, DON'T DENT, AND DON'T MAKE IT DIRTY, BECAUSE THE RANGE IN THE SHADED PORTION SHOWN IN FIGURE IS THE CONTACT AREA.

φ0.8-1.0mm	AWG#26-28	502381-0000	連鎖状 CHAIN
絶縁被覆外径範囲 INS. RANGE	適用電線範囲 WIRE RANGE	製品番号 MATERIAL NO.	端子形状 FORM

部品 PART	材質 MATERIAL
ターミナル TERMINAL	銅合金 COPPER ALLOY
	銅めっき: 0.4 micro-meter MIN. リフロー処理(前めっき) REFLOW TREATMENT (PRE-PLATED)
	TIN
	ニッケルめっき(下地): 0.1 micro-meter MIN. リフロー処理(前めっき) REFLOW TREATMENT (PRE-PLATED)

REVISED EC NO: J2008-0004 2007/10/29 DRW: NISHI 2007/10/29 CHK: K. ASAKAWA 2007/10/29 APP: Y. ITO 2007/10/29	GENERAL TOLERANCES (UNLESS SPECIFIED)		DIMENSION STYLE MM ONLY		SCALE 20:1	DESIGN UNITS METRIC	THIRD ANGLE PROJECTION
	10 UNDER	±0.2	DRAWN BY T. MIYAZAKI	DATE 2006/08/28	TITLE 1.25 W/B CONN. SINGLE PLUG TERMINAL -LEAD FREE-		
	10 OVER 30 UNDER	±0.25	CHECKED BY K. ASAKAWA	DATE 2006/08/28	MOLEX INCORPORATED		
	30 OVER	±0.3	APPROVED BY Y. ITO	DATE 2006/08/28	MATERIAL NO.	DOCUMENT NO. SD-502381-001	SHEET NO. 1 OF 1
B	DESCRIPTION	ANGULAR ±3 °	DRAFT WHERE APPLICABLE MUST REMAIN WITHIN DIMENSIONS		SEE TABLE		
THIS DRAWING CONTAINS INFORMATION THAT IS PROPRIETARY TO MOLEX INCORPORATED AND SHOULD NOT BE USED WITHOUT WRITTEN PERMISSION							