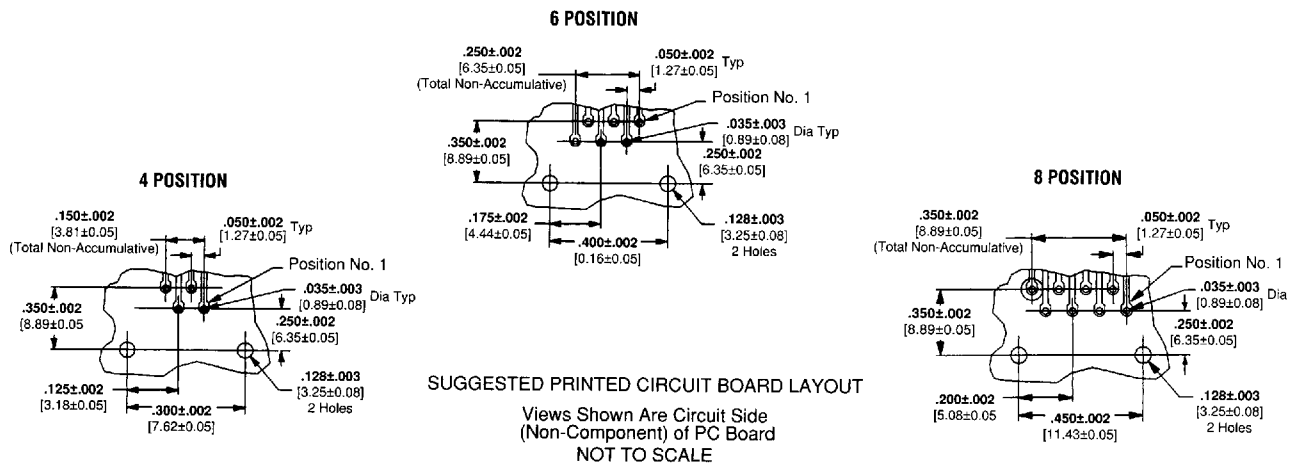


## Printed Circuit Board Modular Jacks (Continued)

### Through-Hole Side Entry Standard Height with Center Latch (Continued)

Description	No. of Pos.	No. of Contacts	Dimensions					Jack Part Numbers	
			A	B	C	D	E	Tray Loaded	Tube Loaded
Side Entry Flanged	4	4	.575 14.61	.815 20.70	.685 17.39	.445 11.30	.300 7.62	520241-2	—
	6	4	.655 16.64	.815 20.70	.685 17.39	.525 13.34	.400 10.16	520242-2	—
	6	6	.655 16.64	.815 20.70	.685 17.39	.525 13.34	.400 10.16	520242-3	—
	8	6	.735 18.67	.815 20.70	.685 17.39	.605 15.37	.450 11.43	520243-3	—
	8	8	.735 18.67	.815 20.70	.685 17.39	.605 15.37	.450 11.43	520243-4	—
	8 Keyed	8	.735 18.67	.815 20.70	.685 17.39	.605 15.37	.450 11.43	520244-4	—
Side Entry with Panel Stops	4	4	.545 13.84	.815 20.70	.637 16.18	.445 11.30	.300 7.62	520249-2	520249-4
	6	2	.625 15.88	.815 20.70	.637 16.18	.525 13.34	.400 10.16	520250-1	—
	6	4	.625 15.88	.815 20.70	.637 16.18	.525 13.34	.400 10.16	520250-2	520250-9
	6	6	.625 15.88	.815 20.70	.637 16.18	.525 13.34	.400 10.16	520250-3	520250-7
	8	8	.705 17.91	.815 20.70	.637 16.18	.605 15.37	.450 11.43	520251-4	520251-7
	8 Keyed	8	.705 17.91	.815 20.70	.637 16.18	.605 15.37	.450 11.43	520252-4	—
	4 Gray	4	.545 13.84	.815 20.70	.637 16.18	.445 11.30	.300 7.62	520249-3	—
	6 Gray	4	.625 15.88	.815 20.70	.637 16.18	.525 13.34	.400 10.16	520250-4	520250-8
	8 Gray	8	.705 17.91	.815 20.70	.637 16.18	.605 15.37	.450 11.43	520251-8	—
	Side Entry without Panel Stops	4	4	—	.815 20.70	.637 16.18	.445 11.30	.300 7.62	555980-1
6		2	—	.815 20.70	.637 16.18	.525 13.34	.400 10.16	520470-4	—
6		4	—	.815 20.70	.637 16.18	.525 13.34	.400 10.16	555979-1	—
6		4	—	.815 20.70	.637 16.18	.525 13.34	.400 10.16	555979-1	—
6		6	—	.815 20.70	.637 16.18	.525 13.34	.400 10.16	520470-3	—
8		8	—	.815 20.70	.637 16.18	.605 15.37	.450 11.43	520426-4	—
8 Keyed		8	—	.815 20.70	.637 16.18	.605 15.37	.450 11.43	554517-1	—
8 Gray		8	—	.815 20.70	.637 16.18	.605 15.37	.450 11.43	520426-6	—



For drawings or technical data, contact your AMP sales engineer or call the AMP Product Information Center: 1-800-522-6752. Dimensions are in inches and millimeters unless otherwise specified. Values in brackets are metric equivalents. Specifications subject to change. Consult AMP for latest specifications.

## Printed Circuit Board Modular Jacks (Continued)

### Through-Hole Side Entry with Center Latch Standard Height

#### Product Facts

- Meets or exceeds FCC Part 68 rules and regulations; REA PE-76; and UL 1863, Communication Circuit Accessories
- Meets 1000 volt dielectric requirement
- Designed for direct mounting on pc boards
- Designed for ease of soldering and board cleaning
- Selectively gold plated contacts for lower cost
- All jacks are UL 94V-0 flame retardant polyester, standard color black, unless specified otherwise
- Listed by Underwriters Laboratories Inc., File No. E81956



- Certified by Canadian Standards Association, File No. LR 7182



#### Specifications

##### Electrical:

**Current Rating** - 1.5 amp max.  
@ 25°C, derated to 0.2 amp max.  
@ 70°C ambient

**Voltage Rating** - 150 volts ac max.

**Dielectric Withstanding Voltage**  
- 1000 VAC, RMS, 60 Hz, 1 min.

**Insulation Resistance** -  
500 megohms min.

**Surge Test** - to 1000 volts

##### Mechanical:

**Pc Board Retention** - will not dislodge from pc board when subjected to 1 lb [4.4N] pull before soldering and 10 lbs [44N] pull after soldering

**Durability** - 750 mating cycles

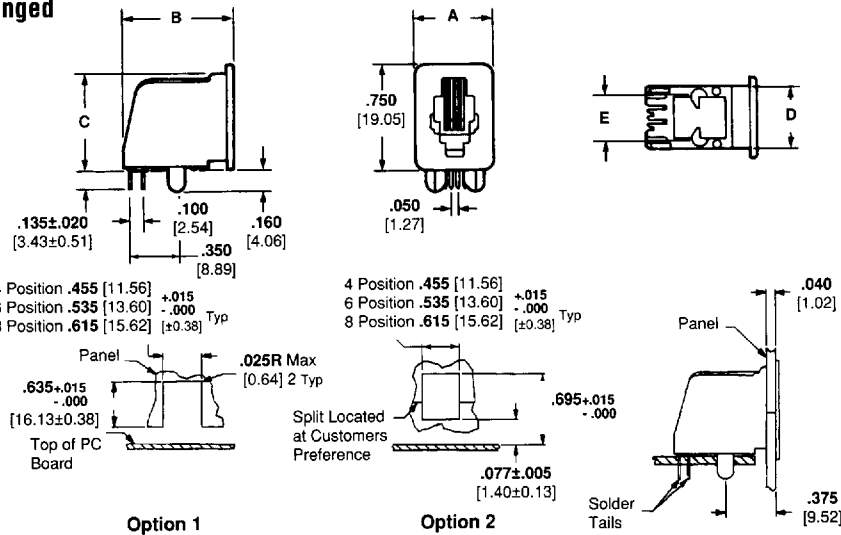
##### Material and Finish:

**Housing** - Polyester (wave solder compatible), UL 94V-0 rated

**Contact** - .014 [0.36] thk. phosphor bronze; plated .000050 [0.00127] gold in contact area and .000150 [0.00381] tin-lead on solder tails, over .000050 [0.00127] nickel underplate

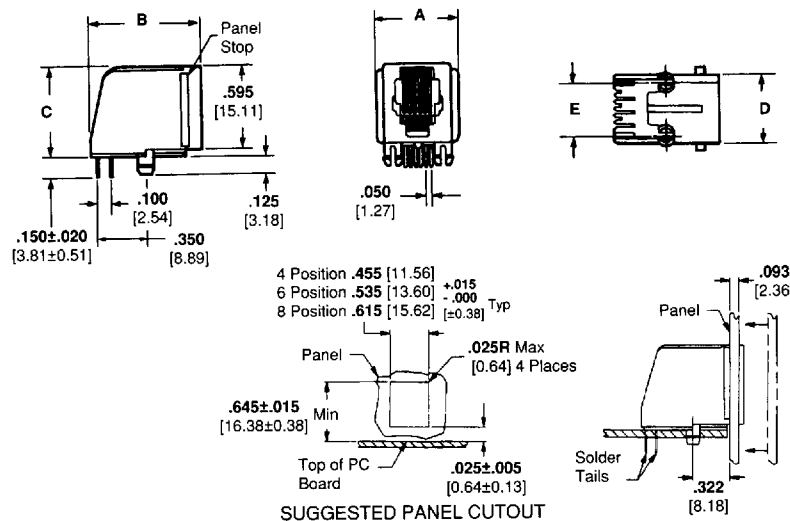
**Technical Documents**  
**Application Specifications**  
114-02048  
**Application Specifications**  
108-01163

### Flanged



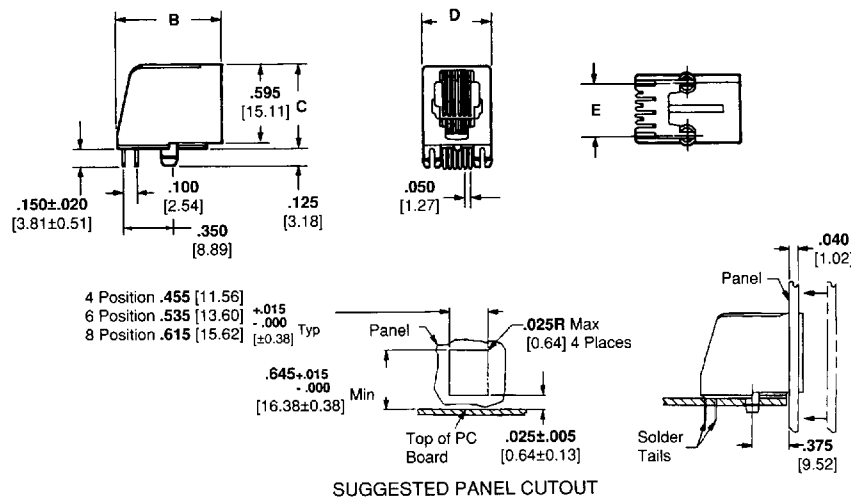
SUGGESTED PANEL CUTOUTS

### With Panel Stops



SUGGESTED PANEL CUTOUT

### Without Panel Stops



SUGGESTED PANEL CUTOUT