

# general configuration — 57 series solder termination

## description

Micro-Ribbon connectors offer a fast, economical and distinctively different method of achieving electrical interconnection.

The heart of the connector is the ribbon contact, selectively plated gold over nickel on a copper alloy base.

With contacts designed to mate easily and positively, the 57 series Micro-Ribbon connector delivers electrically and mechanically sound interconnections time after time.

Exceptionally versatile, 57 series Micro-Ribbon connectors are available in rack and panel, cable to panel, cable to cable and printed circuit types.

## general specifications

|                             |  |
|-----------------------------|--|
| Current Capacity .....      | 5 amps per contact   |
| Voltage Rating .....        | 700 volts D.C. at sea level<br>200 volts D.C. at 70,000 ft.                              |
| Operating Temperature ..... | -55°C to +105°C<br>-67°F to +221°F   |
| Wire Sizes .....            | Solid: 22-gauge maximum<br>Stranded: 24-gauge maximum                                    |
| Contacts .....              | Selectively plated 20 microinches gold over 50 microinches nickel on a copper alloy base |
| Dielectric .....            | Diallyl phthalate per MIL-M-14G Type MDG   |
| Shells .....                | Zinc-plated steel with clear chromate coating; trapezoidal shape for polarization.       |

## features

- Copper alloy contacts, selectively plated gold-over-nickel for excellent current-carrying characteristics.
- UL 94 VO rated diallyl phthalate dielectric per MIL-M-14G Type MDG, for operation at up to 700 volts D.C. (sea level) without shorting or flashover. Resists cracking or chipping and has low moisture absorption.
- Float bushings on receptacles allow .020" radial float, for easy mating.
- Zinc-plated steel outer shell, with clear chromate finish, for corrosion resistance.
- Wide, flat mating surfaces, pressed tightly together by flexing action of both contacts, for electrical continuity.
- Positive mating action that wipes contacts clean, removing film or foreign matter, for low contact resistance.
- Solder cup type contact tails (for easy wire attachment) and pin style tails (for printed circuit board attachment) both are available. A high barrier between contact rows also is available.
- A trapezoidal-shape shell that assures correct polarity.

## connector deviations (1,000 piece m.o.q)

| Deviation Number | Deviation Description for 57/157 Series Connectors  |
|------------------|---|
| (398)            | Connector shells and steel hardware nickel plated   |
| (424)            | Contacts fully plated, 30 microinches gold select over 50 microinches nickel.                               |
| (438)            | Gold flashed contacts on mating area, 50 microinches min. nickel underplate.                                |
| (441)            | Tin plated shells   |
| (448)            | Contacts selectively plated, 30 microinches min. gold on mating area, 50 microinches min. nickel underplate |
| (450)            | Contacts selectively plated, 50 microinches min. gold on mating area, 50 microinches min. nickel underplate |

NOTE: Not all part numbers are available in all deviations. To verify availability contact the factory directly, or your local manufacturer's representative or distributor. Check with factory for other deviations not listed above.

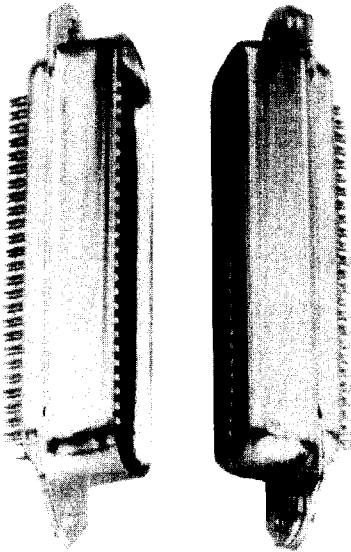
## connector deviation ordering information

To order a deviation of a catalog miniature-ribbon connector, add one of the listed deviation numbers in parenthesis to the catalog part number. Example: To order 57-10500 with tin plated shells, request 57-10500 (441).

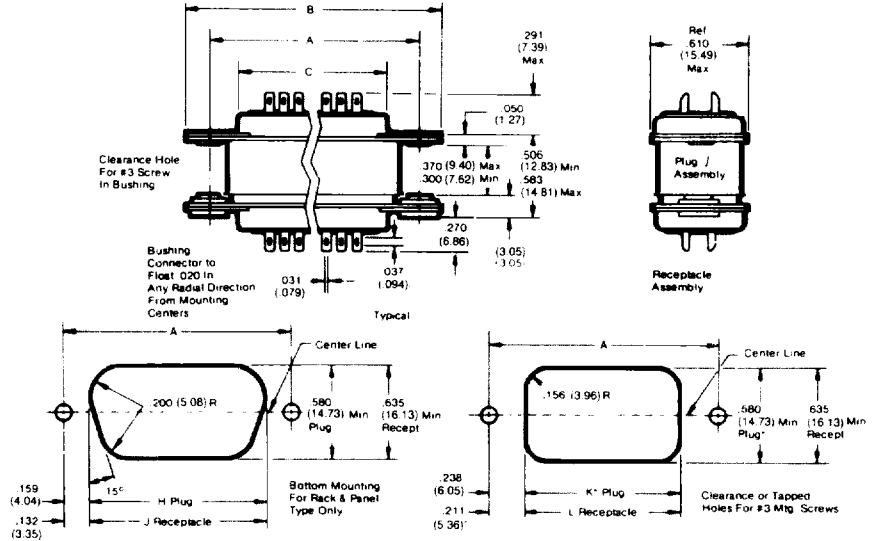
NOTE: Only one deviation number can be applied to a catalog part number at a time.



# 57 series rack-and-panel connectors



## dimensions



|                 | 14 Contacts |       | 24 Contacts |       | 36 Contacts |       | 50 Contacts |       | 64 Contacts |       |       |
|-----------------|-------------|-------|-------------|-------|-------------|-------|-------------|-------|-------------|-------|-------|
|                 | in.         | mm    | in.         | mm    | in.         | mm    | in.         | mm    | in.         | mm    |       |
| A               | 1.417       | 35.99 | 1.842       | 46.79 | 2.352       | 59.74 | 2.947       | 74.85 | 3.542       | 89.97 |       |
| B               | 1.750       | 44.45 | 2.175       | 55.25 | 2.685       | 68.20 | 3.280       | 83.31 | 3.875       | 98.43 |       |
| C               | .910        | 23.11 | 1.335       | 33.91 | 1.845       | 46.86 | 2.440       | 61.98 | 3.035       | 77.09 |       |
| Bottom Mounting | H           | 1.099 | 27.92       | 1.524 | 38.71       | 2.034 | 51.66       | 2.629 | 66.78       | 3.224 | 81.89 |
|                 | J           | 1.153 | 29.29       | 1.578 | 40.08       | 2.088 | 53.04       | 2.683 | 68.15       | 3.278 | 83.26 |
| Top Mounting    | K           | .941  | 23.90       | 1.366 | 34.70       | 1.876 | 47.65       | 2.471 | 62.76       | 3.066 | 77.88 |
|                 | L           | .995  | 25.27       | 1.420 | 36.07       | 1.930 | 49.02       | 2.525 | 64.14       | 3.120 | 79.25 |

## order information

| Contacts | Plugs:       |                      | Solder Cup Tails With       |                                    |                     |                             |
|----------|--------------|----------------------|-----------------------------|------------------------------------|---------------------|-----------------------------|
|          | Fix-mounted* | Fix-mounted**        | Low Barrier Insert          | High Barrier Insert                | High Barrier Insert | High Barrier Insert         |
|          |              |                      | Receptacles: Float-mounted* | Receptacles: Less Float Bushings** | Plugs: Fix-mounted* | Receptacles: Float-mounted* |
| 14       | 57-10140     | consult sales office | 57-20140                    | 57-20140-4                         | N/A                 | N/A                         |
| 24       | 57-10240     | 57-10240-4***        | 57-20240                    | 57-20240-2***                      | N/A                 | N/A                         |
| 36       | 57-10360     | 57-10360-22          | 57-20360                    | 57-20360-3                         | 57-10360-14         | 57-20360-10                 |
| 50       | 57-10500     | 57-10500-48          | 57-20500                    | 57-20500-15                        | 57-10500-6          | 57-20500-6                  |
| 64       | —            | —                    | —                           | —                                  | 57-10640            | 57-20640                    |

\*.103" Mounting Hole (accepts #3 screw — not included)

\*\* .185" Mounting Hole (accepts #8 screw — not included)

\*\*\*IEEE Type

## IEEE mounting hardware

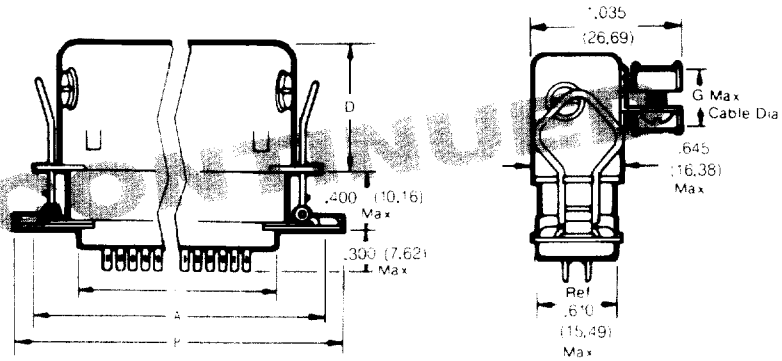
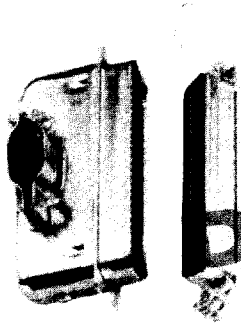
**408-153819** Inside panel mount hardware includes two each studs, nuts, washers.

**408-153818** Outside panel mount hardware includes two each studs, nuts, washers.

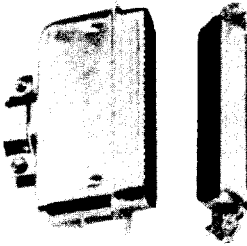
**PLEASE NOTE:** Amphenol rack and panel receptacle connectors have float bushings which allow .020" (6.008mm) radial float. Plugs and receptacles have solder cup tails and accept 22-gauge solid or 24-gauge (maximum) stranded wire. U.L. recognized.

# 57 series cable-to-panel connectors

## side cable entry type



## top cable entry type

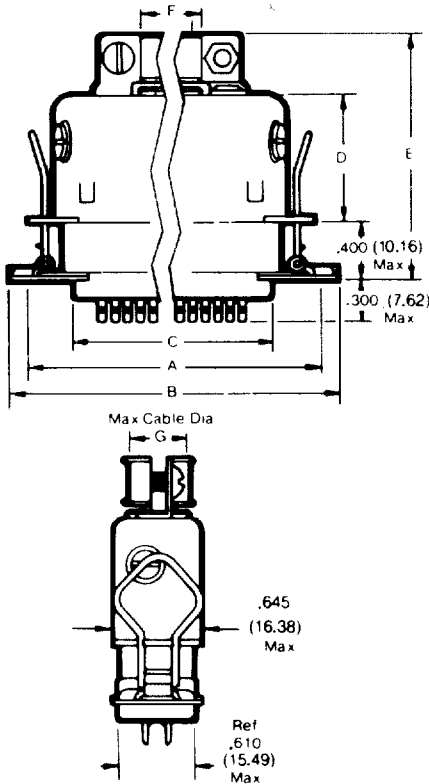


### dimensions

|   | 14 Contacts |        | 24 Contacts |        | 36 Contacts |        | 50 Contacts |        |
|---|-------------|--------|-------------|--------|-------------|--------|-------------|--------|
|   | In.         | mm     | In.         | mm     | In.         | mm     | In.         | mm     |
| A | 1.417       | 35.992 | 1.842       | 46.787 | 2.352       | 59.741 | 2.947       | 74.854 |
| B | 1.770       | 44.958 | 2.195       | 55.753 | 2.705       | 68.707 | 3.300       | 83.820 |
| C | .910        | 23.114 | 1.335       | 33.909 | 1.845       | 46.863 | 2.440       | 61.976 |
| D | .850        | 21.59  | .830        | 21.08  | .910        | 23.11  | 1.000       | 2.54   |
| E | 1.665       | 42.29  | 1.645       | 41.78  | 1.725       | 43.82  | 1.815       | 46.10  |
| F | .348        | 8.84   | .473        | 12.01  | .648        | 16.46  | .772        | 19.61  |
| G | .348        | 8.84   | .473        | 12.01  | .500        | 12.7   | .500        | 12.7   |

NOTE: All dimensions are reference.

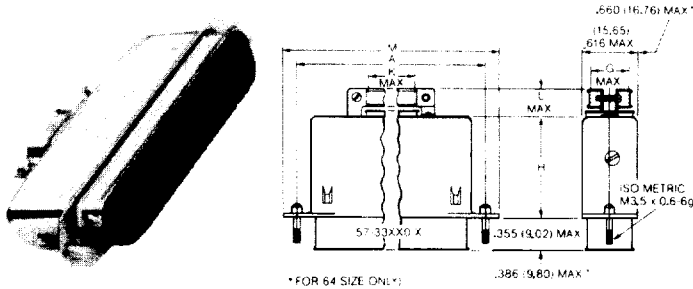
### order information



| Contacts | Plugs: Top Cable Entry<br>Part Number | Plugs: Side Cable Entry<br>Part Number | Receptacle Mating Connection<br>With Spring Latches<br>Part Number |
|----------|---------------------------------------|--|--|
| 14       | 57-30140                              | 57-50140                               | 57-40140   |
| 24       | 57-30240                              | 57-50240                               | 57-40240   |
| 36       | 57-30360 (screwtype hood)             | 57-50360                               | 57-40360   |
| 36       | 57-30360-18 (snap on hood)            | —                                      | —  |
| 36       | —                                     | —                                      | 57-40360-9 (high barrier)  |
| 50       | 57-30500                              | 57-50500                               | 57-40500   |
| 50       | 57-30500-3 (high barrier)             | —                                      | 57-40500-4 (high barrier)  |

# 57 series cable-to-panel connectors

## top cable entry type for screw lock



### order information

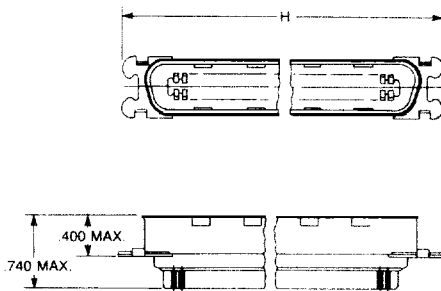
| Contacts | Plug: Top Cable Entry With Zinc Plated Shells For Screw Locking Part Number | Plug: Top Cable Entry With Nickel Plated Shells For Screw Locking Part Number |
|----------|---|---|
| 14       | 57-33140-1  | 57-33140-2  |
| 24       | 57-33240-1  | 57-33240-2  |
| 36       | 57-33360-1  | 57-33360-2  |
| 50       | 57-33500-1  | 57-33500-2  |

NOTE: Top cable entry plugs for screw locking can be mated with rack and panel type connectors utilizing IEEE mounting hardware.

### dimensions

| Size | 14    |       | 24    |       | 36    |       | 50    |       |
|------|-------|-------|-------|-------|-------|-------|-------|-------|
| Dim. | Inch  | mm    | Inch  | mm    | Inch  | mm    | Inch  | mm    |
| A    | 1.417 | 35.99 | 1.842 | 46.79 | 2.352 | 59.74 | 2.947 | 74.85 |
| G    | .442  | 10.72 | .468  | 11.89 | .468  | 11.89 | .468  | 11.89 |
| H    | .843  | 21.41 | .825  | 20.96 | .905  | 22.99 | .995  | 25.27 |
| K    | .348  | 8.84  | .473  | 12.01 | .639  | 16.23 | .766  | 19.46 |
| L    | .405  | 10.29 | .400  | 10.16 | .405  | 10.29 | .405  | 10.29 |
| M    | 1.729 | 43.92 | 2.154 | 54.71 | 2.664 | 67.67 | 3.259 | 82.78 |

## top cable entry type for overmold cable assemblies



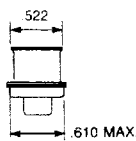
### dimensions

|   | 36 Contacts |       | 50 Contacts |       |
|---|-------------|-------|-------------|-------|
|   | In.         | mm    | In.         | mm    |
| H | 2.431       | 61.75 | 3.030       | 76.96 |

NOTE: All dimensions are reference.

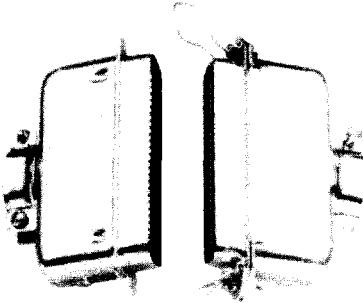
### order information

| Contacts | Plugs: With Bail Latch Ears For Overmold Cable Assemblies (low barrier) Part Number | Plugs: With Bail Latch Ears For Overmold Cable Assemblies (high barrier) Part Number |
|----------|---|--|
| 36       | 57-10360-29 (441)   | 57-10360-28 (441)  |
| 50       | —   | 57-10500-79 (441)  |



# 57 series cable-to-cable connectors

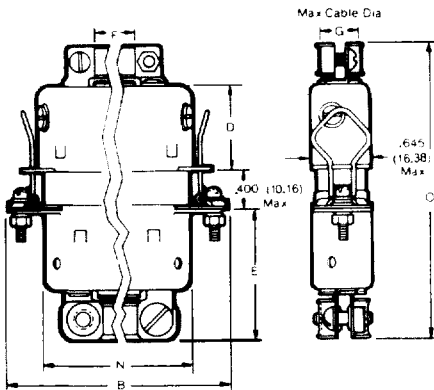
## top cable entry type



### dimensions

|   | 14 Contacts |        | 24 Contacts |        | 36 Contacts |        | 50 Contacts |        |
|---|-------------|--------|-------------|--------|-------------|--------|-------------|--------|
|   | in.         | mm     | in.         | mm     | in.         | mm     | in.         | mm     |
| B | 1.770       | 44.958 | 2.195       | 55.753 | 2.705       | 68.707 | 3.300       | 83.820 |
| D | .850        | 21.59  | .830        | 21.08  | .910        | 23.11  | 1.000       | 2.54   |
| E | 1.255       | 31.88  | 1.235       | 31.37  | 1.315       | 33.4   | 1.405       | 35.69  |
| F | .348        | 8.84   | .473        | 12.01  | .648        | 16.46  | .772        | 19.61  |
| G | .348        | 8.84   | .473        | 12.01  | .500        | 12.7   | .500        | 12.7   |
| N | 1.153       | 29.286 | 1.578       | 40.081 | 2.089       | 53.061 | 2.683       | 68.148 |
| O | 2.906       | 73.812 | 2.875       | 73.025 | 3.032       | 77.013 | 3.218       | 81.737 |

NOTE: All dimensions are reference.

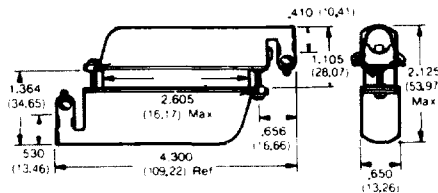
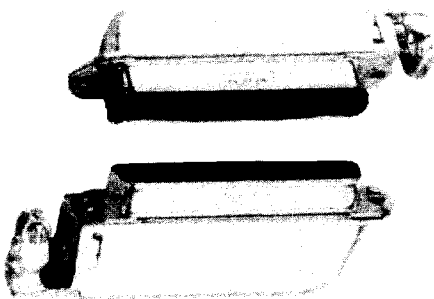


### order information

| Contacts | Plugs: Top Cable Entry Part Number | Plugs: Side Cable Entry Part Number | Receptacle Mating Connection With Spring Latches Part Number |
|----------|------------------------------------|-------------------------------------|--|
| 14       | 57-30140                           |                                     | 57-60140   |
| 24       | 57-30240                           | 57-50240                            | 57-60240   |
| 36       | 57-30360                           | 57-50360                            | 57-60360   |
| 50       | 57-30500                           | 57-50500                            | 57-60500   |
| 50       | 57-30500-3 (high barrier)          | —                                   | —  |

## running cable type

NOTE: Only available in 50 contact size.



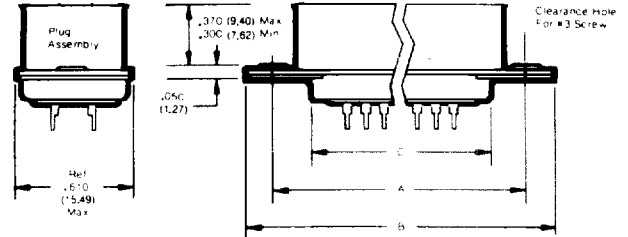
Low Profile Hood

### order information

| 50-Size Plug Connectors w/ Metal Hoods Part Number       |   |
|--|---|
| 57-10500-7   | (low hood)— $\frac{5}{8}$ "                           |
| 57-10500-7 (402)   | (low hood, bulk-packed, egg crating)— $\frac{5}{8}$ " |
| 57-10500-14  | (high hood)— $\frac{7}{8}$ "                          |
| 50-Size Receptacle Connectors w/ Metal Hoods Part Number |   |
| 57-20500-7   | (high hood)— $\frac{7}{8}$ "                          |
| 57-20500-7 (402)   | (high hood, egg crated)— $\frac{7}{8}$ "              |
| 57-20500-19  | (low hood)— $\frac{5}{8}$ "                           |

# 57 series printed circuit connectors

## straight tail without spring latch



### dimensions (See P.C. Board layout on page 8.)

|   | 14 Contacts |        | 24 Contacts |        | 36 Contacts |        | 50 Contacts |        |
|---|-------------|--------|-------------|--------|-------------|--------|-------------|--------|
|   | in.         | mm.    | in.         | mm.    | in.         | mm.    | in.         | mm.    |
| A | 1.417       | 35.991 | 1.842       | 46.787 | 2.352       | 59.741 | 2.947       | 74.854 |
| B | 1.750       | 44.450 | 2.175       | 55.245 | 2.685       | 68.199 | 3.280       | 83.312 |
| C | .910        | 23.114 | 1.335       | 33.909 | 1.845       | 46.863 | 2.440       | 61.976 |
| D | .510        | 12.954 | .935        | 22.749 | 1.445       | 36.703 | 2.040       | 51.816 |

### order information

#### Plugs/PC Contacts (.100" tail)\*.

| Contacts | Part Number |
|----------|-------------|
| 14       | 57-10140-4  |
| 24       | 57-10240-3  |
| 36       | 57-10360-13 |
| 50       | 57-10500-27 |

#### Receptacles/PC Contacts (.100" tail): Float-Mounted\*

| Contacts | Part Number |
|----------|-------------|
| 14       | 57-20140-8  |
| 24       | 57-20240-8  |
| 36       | 57-20360-9  |
| 50       | 57-20500-31 |

#### Receptacles/PC Contacts (.100" tail): Without Float Bushings\*\*

| Contacts | Part Number |
|----------|-------------|
| 14       | 57-20140-12 |
| 24       | 57-20240-14 |
| 36       | 57-20360-15 |
| 50       | 57-20500-65 |

#### Plugs/PC Contacts (.135" tail)\*.

| Contacts | Part Number |
|----------|-------------|
| 14       | 57-10140-5  |
| 24       | 57-10240-5  |
| 36       | 57-10360-17 |
| 50       | 57-10500-46 |

#### Receptacles/PC Contacts (.135" tail): Without Float Bushings\*\*

| Contacts | Part Number |
|----------|-------------|
| 14       | 57-20140-10 |
| 24       | 57-20240-11 |
| 36       | 57-20360-13 |
| 50       | 57-20500-58 |

#### Receptacles/PC Contacts (.156" tail): Without Float Bushings\*\*

| Contacts | Part Number |
|----------|-------------|
| 14       | N/A         |
| 24       | 57-20240-23 |
| 36       | 57-20360-19 |
| 50       | 57-20500-85 |

#### Plugs/PC Contacts (.156" tail)\*.

| Contacts | Part Number |
|----------|-------------|
| 14       | N/A         |
| 24       | 57-10240-12 |
| 36       | 57-10360-25 |
| 50       | 57-10500-73 |

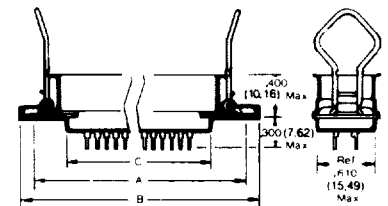
\* 103" Mounting Hole (accepts #3 screw — not included)  
\*\* 185" Mounting Hole (accepts #8 screw — not included)

## straight tail with spring latch



### order information

| Contacts | Receptacles/<br>PC Contacts<br>With Spring Latch<br>(.100" tail) | Receptacles/<br>PC Contacts<br>With Spring Latch<br>(.135" tail) | Receptacle<br>PC Contacts<br>With Spring Latch<br>(.156" tail) |
|----------|--|--|--|
| 14       | 57-40140-8   | 57-40140-11  | N/A  |
| 24       | 57-40240-9   | 57-40240-11  | 57-40240-14  |
| 36       | 57-40360-12  | 57-40360-16  | 57-40360-24  |
| 50       | 57-40500-9   | 57-40500-16  | 57-40500-24  |

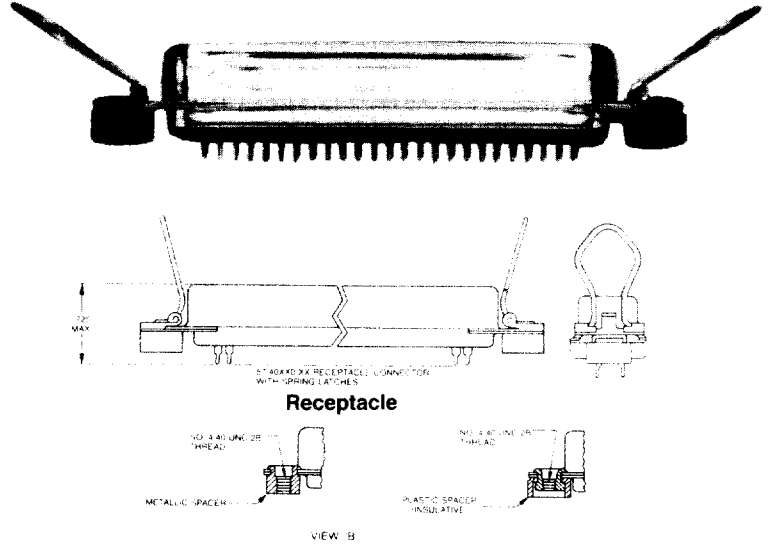
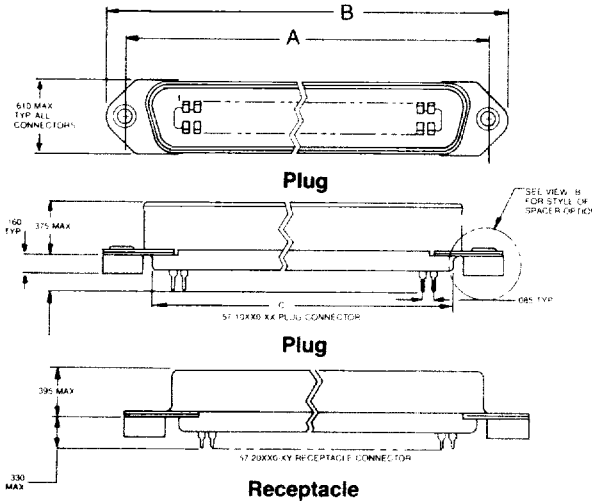


### dimensions

See dimensions table at top of page.  
(See P.C. Board layout on page 8.)

# 57 series printed circuit connectors (cont.)

## straight tail with standoff



## dimensions

See dimensions table at top of page 7.

## order information

### Plugs/PC Contacts (.156) Metallic Standoff

|    |             |
|----|-------------|
| 24 | 57-10240-14 |
| 36 | 57-10360-27 |
| 50 | 57-10500-77 |

### Receptacles/PC Contacts (.156) Metallic Standoff

|    |             |
|----|-------------|
| 24 | 57-20240-25 |
| 36 | 57-20360-21 |
| 50 | 57-20500-87 |

### Receptacles/PC Contacts (.156) And Spring Latches Metallic Standoff

|    |                    |
|----|--------------------|
| 24 | 57-40240-16        |
| 36 | <b>57-40360-23</b> |
| 50 | 57-40500-26        |

### Plugs/PC Contacts (.156) Insulative Standoff

|    |                    |
|----|--------------------|
| 24 | 57-10240-13        |
| 36 | 57-10360-26        |
| 50 | <b>57-10500-69</b> |

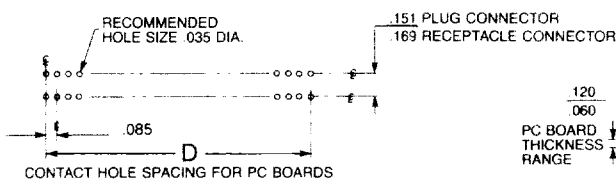
### Receptacles/PC Contacts (.156) Insulative Standoff

|    |                    |
|----|--------------------|
| 24 | 57-20240-24        |
| 36 | 57-20360-20        |
| 50 | <b>57-20500-79</b> |

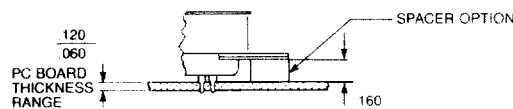
### Receptacles/PC Contacts (.156) And Spring Latches Insulative Standoff

|    |                    |
|----|--------------------|
| 24 | 57-40240-15        |
| 36 | <b>57-40360-21</b> |
| 50 | <b>57-40500-23</b> |

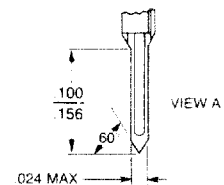
## typical mounting, contact hole spacing and termination lengths for PC boards



See dimensions table at top of page 7.

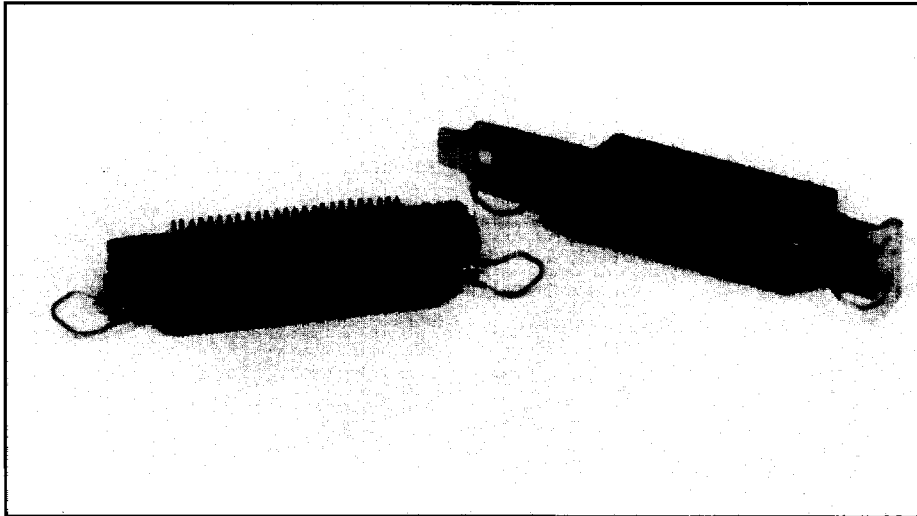


TYPICAL CONNECTOR MOUNTING FOR PRINTED CIRCUIT BOARD



# 57 series right angle PCB mount receptacle

(see also page 25, 57LE right angle)



Amphenol introduces a new low profile right angle printed circuit board receptacle for Host Adapter Accessory Cards. Developed in response to newly emerging SCSI applications, it is also an ideal choice for any application requiring a low-cost, right angle PC tail connector.

Available in either standard, or reverse polarization, these receptacles are completely intermateable with standard Amphenol micro-ribbon® connectors. To accommodate PC panel or chassis thickness, the front shell has been lengthened 0.100". A 0.070" reduction in connector-to-board height, as measured from PCB surface to connector centerline, provides a lower profile to accommodate PC Host Adapter Card/IO Port configurations

Beryllium copper contacts feature recessed "Closed Front Entry" design for improved ESD suppression. The positive mating action of these contacts is self-wiping and self-cleaning, resulting in highly reliable electrical continuity and low contact resistance. Spring clip or jack screw mounting hardware assures connectors remain tightly engaged.

## specifications

|  |   |
|--|---|
| <b>Current rating:</b> 5 amps/contact                                | <b>Insulator material:</b> Reinforced thermo-plastic UL 94 V-0 rated, black           |
| <b>Voltage rating:</b> 700 VDC at sea level<br>200 VDC at 70,000 ft. | <b>Contact material:</b> Beryllium Copper   |
| <b>Withstanding voltage:</b> 1,000 VAC                               | <b>Shell material:</b> Steel, Aluminum killed, Zinc plated with clear chromate finish |
| <b>Insulation resistance:</b> 1,000 Megaohms min                     | <b>Ground bracket:</b> Cold rolled Steel; bright Tin plated                           |
| <b>Contact resistance:</b> 15 Milliohms max                          |   |
| <b>Operating temperature:</b> -67°F to +221°F<br>(-55°C to +105°C)   |   |

**Contact plating:** 30 microinches Gold in mating area, 100 microinches Tin/Lead on tails, 50 micro-inches Nickel underplate

**Mounting plates:** Cold rolled Steel; Zinc plated with clear chromate finish

## order information

**57-B X 50 X -XX X 00**

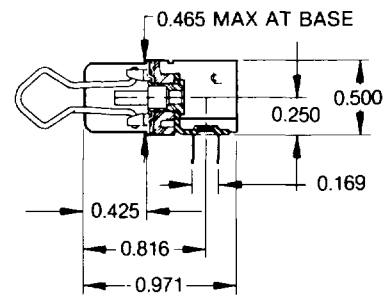
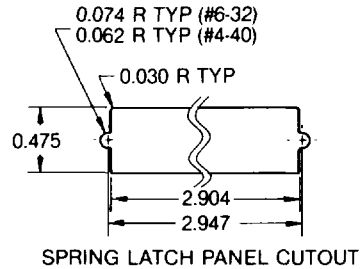
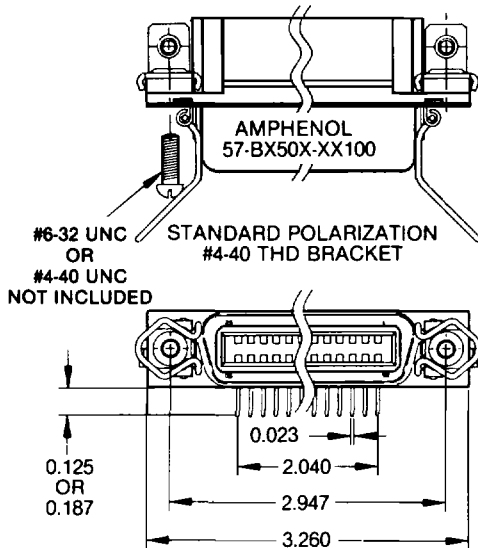
|   |   |
|---|---|
| <b>Series</b>   | <b>Ground Bracket Type</b>  |
| <b>Tail Length /Mtg. Thd. Size /Connection Style</b>  | <b>1 = #4-40 thd. extrusion</b>   |
| A = 0.125" / #6-32 thd. /spring latch                 | <b>2 = P.C.B. locking tabs (.062 P.C.B.)</b>  |
| C = 0.125" / #4-40 thd. /spring latch                 |   |
| E = 0.125" / #6-32 thd. /jackscrew                    |   |
| G = 0.125" / #4-40 thd. /jackscrew                    |   |
|   | <b>AM = 30 micro in. min Gold on mating area; 100 micro in. Tin/Lead on tails; 50 micro-in min Nickel underplate.</b> |
| <b>Receptacle Style/Contact Material</b>              |   |
| <b>B = standard "D" polarization/Beryllium Copper</b> |   |
| <b>D = reverse "D" polarization/Beryllium Copper</b>  |   |



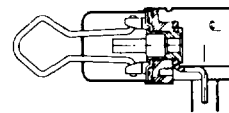
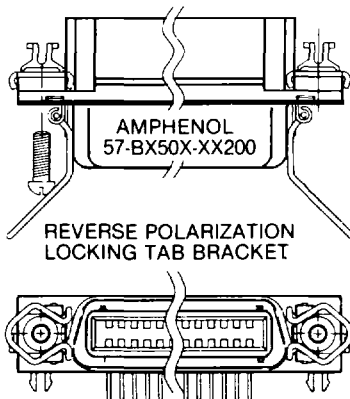
# 57 series right angle PCB mount receptacle (cont.)

## receptacle with spring latch

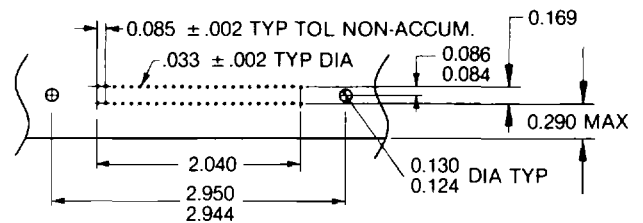
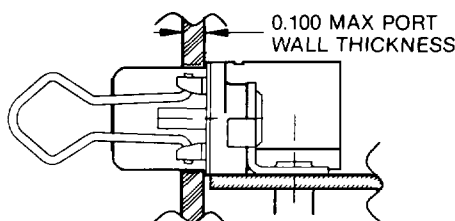
### Standard Polarization



### Reverse Polarization



## mounting specifications



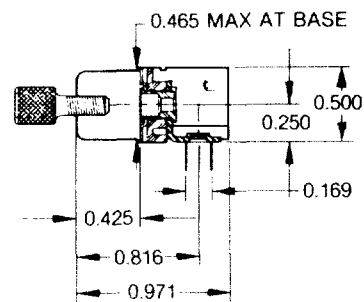
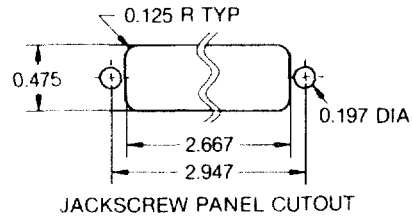
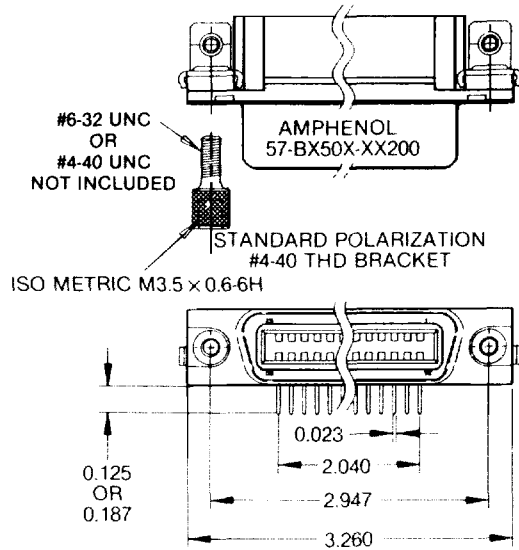
**Mounting Hardware Supplied Separately**  
(20 screws per package—order by number of packages)

| Hardware Description              |               | Part Number For Screw With #6-32 External Thread | Part Number For Screw With #4-40 External Thread |
|-----------------------------------|---------------|--|--|
| Screw For Spring Latch Receptacle |               | 57-1911-01                                       | 57-2030  |
| Jackscrews (Internal Thread Size) | M3.5 × 0.6-6H | 57-1912-02                                       | 57-2031  |
|                                   | #4-40 UNC-2B  | —  | 57-2054  |

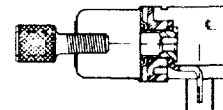
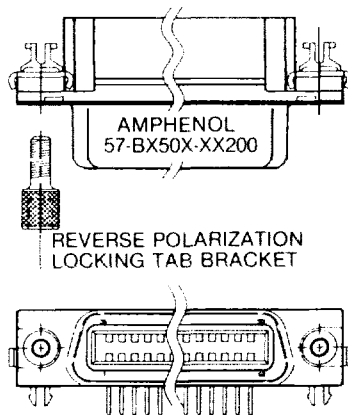
# 57 series right angle PCB mount receptacle (cont.)

## receptacle with jack screw

### Standard Polarization



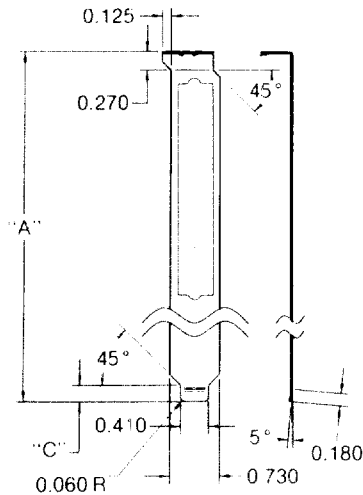
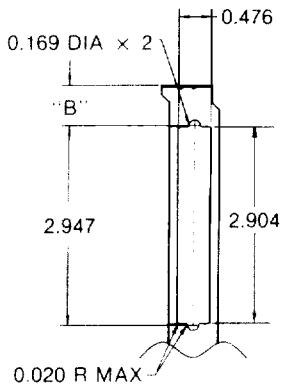
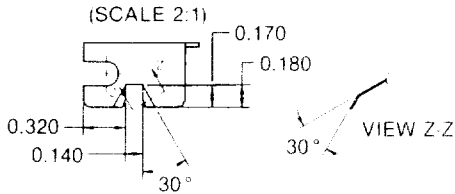
### Reverse Polarization



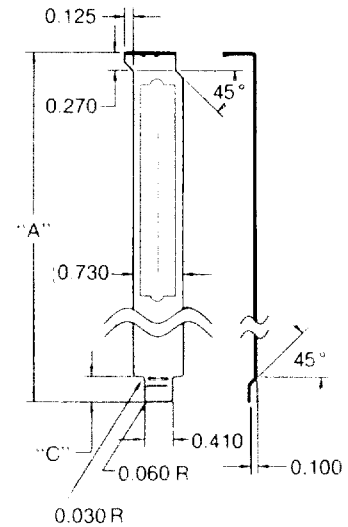
| Item           | Material  | Standard Plating   |
|----------------|---|--|
| Housing        | Reinforced thermoplastic UL rated 94V-0, black          |  |
| Contacts       | 0.008" Beryllium Copper                                 | 30 microinches Gold mating area; 100 microinches Tin/Lead on tails; 50 microinches Nickel underplating                       |
| Shell          | Cold rolled Steel<br>Aluminum killed, deep draw quality | .0002-.0004" electrodeposited clear chromate over<br>.0002-.0004" electrodeposited Zinc per spec. QQ-Z-325, Class 3, Type II |
| Ground bracket | Cold rolled Steel                                       | .0002-.0004" bright Tin plating  |
| Rivets         | SAE C-1006 Steel  | .0002-.0004" electrodeposited clear chromate over<br>.0002-.0004" electrodeposited Zinc per spec QQ-Z-325, Class 3, Type II  |
| Spring latch   | 0.038" dia. Stainless Steel wire                        |  |

# 57 series right angle PCB mount receptacle (cont.)

## host adapter card mounting plates for 50 position receptacle



**Straight Tab**



**Dual 45° Tab**

### dimensions/order information (10 000 pc. MOQ)

| Tab Style | Amphenol Part Number | Dimensions |       |       |
|-----------|----------------------|------------|-------|-------|
|           |                      | A          | B     | C     |
| Straight  | 57-2039-802          | 4.750      | 0.562 | 0.240 |
| Dual 45°  | 57-2039-902          | 4.150      | 0.630 | 0.346 |

### applications

#### Host Adapter Card Accessories

