

1.25 mm [.049] FP Connectors (Continued)

1.25 mm Dual-Row, Standard, Receptacle Headers — Horizontal Mounting for Right-Angle Board Connection

Material and Finish

Housing — Polyphenylene sulfide, black, UL 94V-0 rated

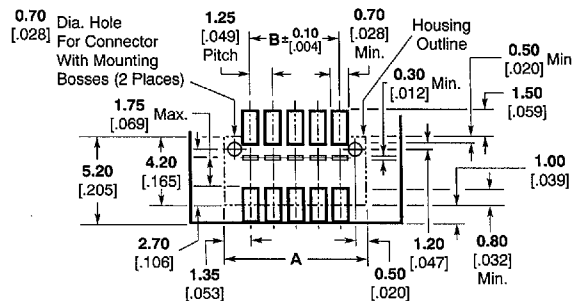
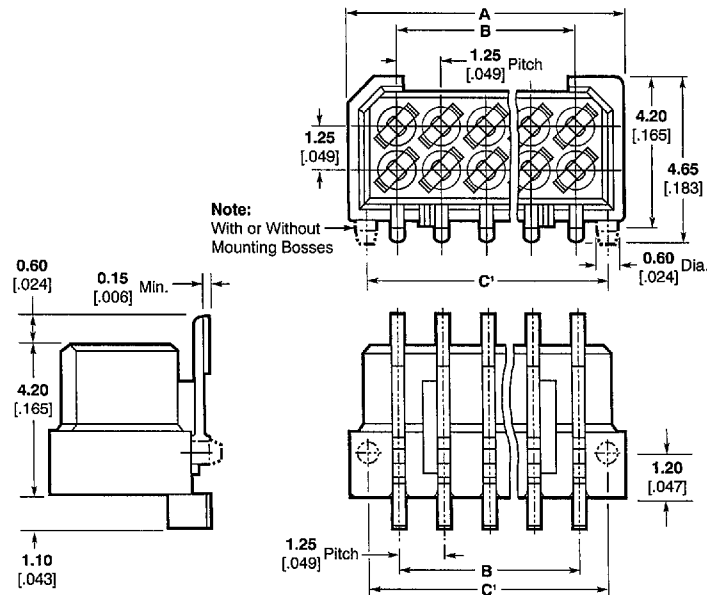
Contact — Phosphor bronze, 0.30 [.012] thick, tin-lead plated

Related Product Data

Mates with — Post Headers, page 115

2Packaging Quantities, Tube

- 6 Pos. — 90 Pcs./Tube
- 10 Pos. — 60 Pcs./Tube
- 12 Pos. — 50 Pcs./Tube
- 18 Pos. — 35 Pcs./Tube
- 22 Pos. — 30 Pcs./Tube
- 24 Pos. — 25 Pcs./Tube



Recommended PC Board Layout

No. of Pos.	Dimensions			Part Numbers			
	A	B	C'	With Mounting Bosses		Without Mounting Bosses	
				Tube ^{2,4}	Reel Mounted ³	Tube ^{2,5}	Reel Mounted ⁴
6	5.20 .205	2.50 .098	4.20 .165	3-176910-6	3-175639-6	3-176912-6	3-175631-6
10	7.70 .303	5.00 .197	6.70 .264	4-176910-0	4-175639-0	—	4-175631-0
12	8.95 .352	6.25 .246	7.95 .313	4-176910-2	4-175639-2	—	4-175631-2
14	10.20 .402	7.50 .295	9.20 .362	—	4-175639-4	—	4-175631-4
16	11.45 .451	8.75 .345	10.45 .411	—	4-175639-6	—	4-175631-6
18	12.70 .500	10.00 .394	11.70 .461	4-176910-8	4-175639-8	—	4-175631-8
20	13.95 .549	11.25 .443	12.95 .510	—	5-175639-0	—	5-175631-0
22	15.20 .598	12.50 .492	14.20 .559	5-176910-2	5-175639-2	—	5-175631-2
24	16.45 .648	13.75 .541	15.45 .608	5-176910-4	5-175639-4	—	5-175631-4

¹"C" dimension used only with Receptacle Headers with Mounting Bosses.

²Packaging Quantities, Tube — See chart at left.

³Packaging Quantities, Reel — 1,500 per reel for Positions 6 thru 14, 1,000 per reel for Positions 16 thru 24.

⁴Reference Loose Piece Part No. 174640 when ordering customer drawing.

⁵Reference Loose Piece Part No. 174905 when ordering customer drawing.