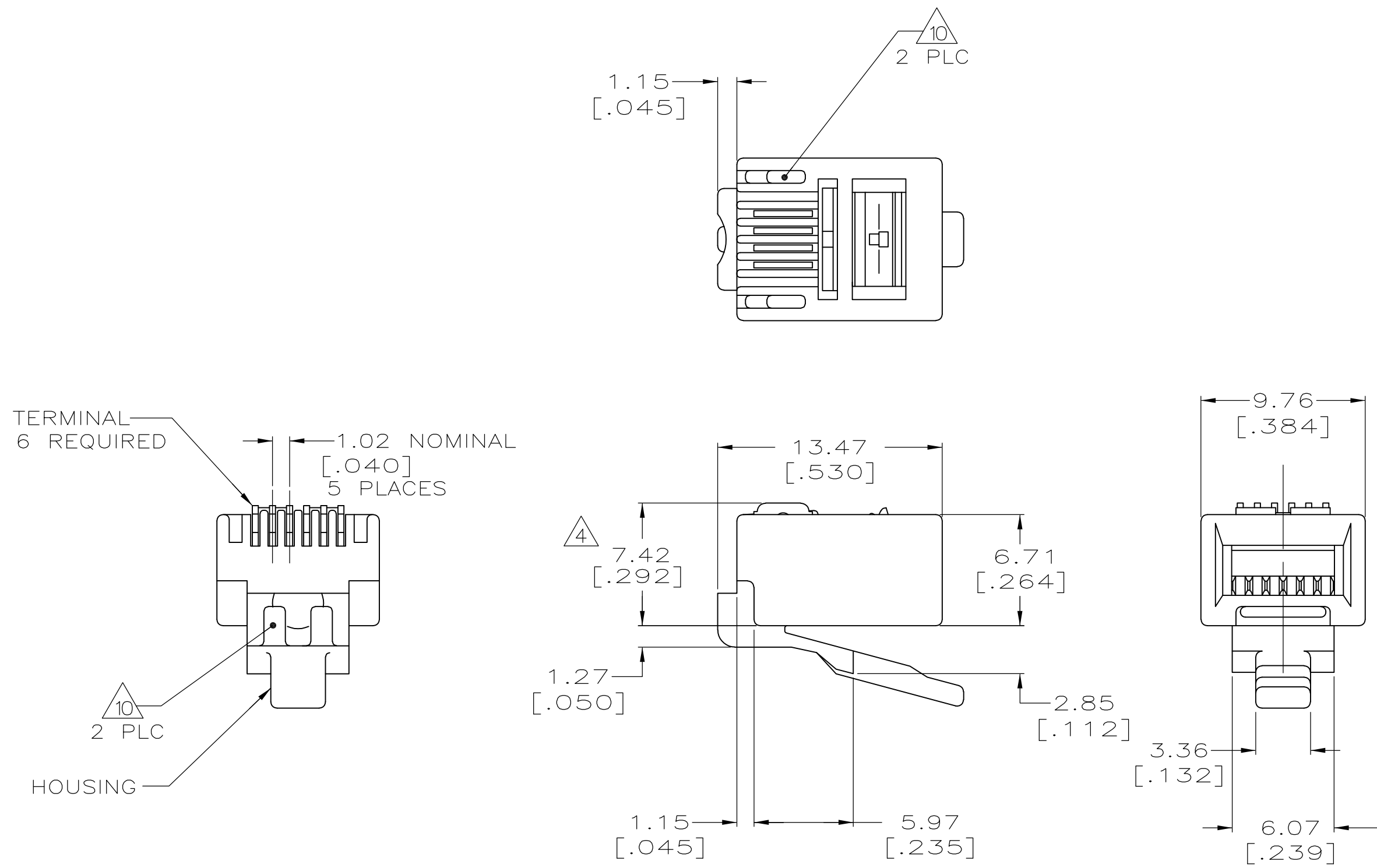


THIS DRAWING IS UNPUBLISHED. RELEASED FOR PUBLICATION
 © COPYRIGHT BY TYCO ELECTRONICS CORPORATION. ALL RIGHTS RESERVED.

LOC	DIST	REVISIONS		GG	EL			
HM	00	P	LTR	DESCRIPTION	DATE	DWN	APVD	
		V		REVISED PER EC 0S11-0093-04	12MAY04	SW	BK	
		W		SUPSD -1, REV ECO-07-029245	19MAR08	LH	BM	
		Y		REV ECO-08-007212	31MAR08	LH	BM	

- ① DIMENSIONS ARE MAXIMUM UNLESS OTHERWISE SPECIFIED.
- ② MATERIAL: HOUSING-POLYCARBONATE,CLEAR. TERMINAL-0.36[.014] THICK PHOSPHOR BRONZE PLATED WITH 1.27μm[.000050] THICK GOLD IN LOCALIZED GOLD PLATE AREA, GOLD FLASH OVER THE REMAINDER, OVER 2.54μm[.000100] THICK NICKEL UNDERPLATE.
- ③ PLUG WILL ACCEPT 26 OR 28 AWG STRANDED OR TINSEL WIRE HAVING AN INSULATION DIAMETER OF 0.89 - 0.99[.035 - .039] AND A MAXIMUM OVAL CABLE JACKET OF 2.29 x 6.61[.090 x .260].
- ④ TERMINATED DIMENSION 6.15[.242] MAXIMUM.
- ⑤ 10 ASSEMBLIES PER PACKAGE.
- ⑥ 10,000 ASSEMBLIES PER PACKAGE.
- ⑦ 1000 ASSEMBLIES PER PACKAGE.
- ⑧ 100 ASSEMBLIES PER PACKAGE.
- ⑨ 25 ASSEMBLIES PER PACKAGE.



SUPERSEDED BY 5-641337-4	⑤	6-641337-3
	⑨	5-641337-4
	⑧	5-641337-3
	⑦	5-641337-2
	⑥	5-641337-1
SUPERSEDED BY 5-641337-2	REELED ⑩	641337-1
	PACKAGED	PART NO

THIS DRAWING IS A CONTROLLED DOCUMENT.		DWN	YTP/UTA	9-3-93	Tyco Electronics Corporation Harrisburg, PA 17105-3608
DIMENSIONS: mm [INCHES]		CHK	C.WHITT	9-15-93	
TOLERANCES UNLESS OTHERWISE SPECIFIED:		APVD	J.TONEY	9-20-93	NAME MODULAR PLUG ASSEMBLY, 6 POSITION, LINE
①		PRODUCT SPEC	108-1163	APPLICATION SPEC	
MATERIAL		WEIGHT	114-6016	SIZE	A2
②		FINISH	-	CAGE CODE	00779
		CUSTOMER DRAWING		DRAWING NO	641337
				RESTRICTED TO	-
				SCALE	4:1
				SHEET	1 of 1
				REV	Y

641337