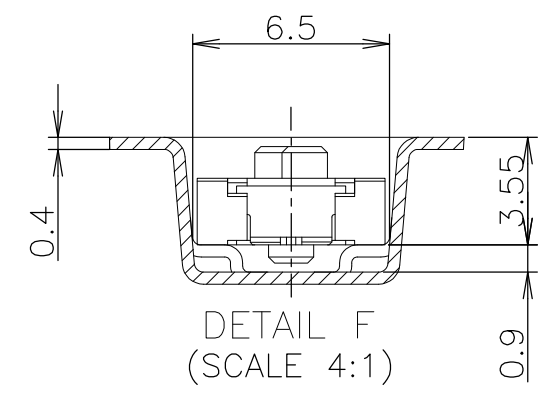
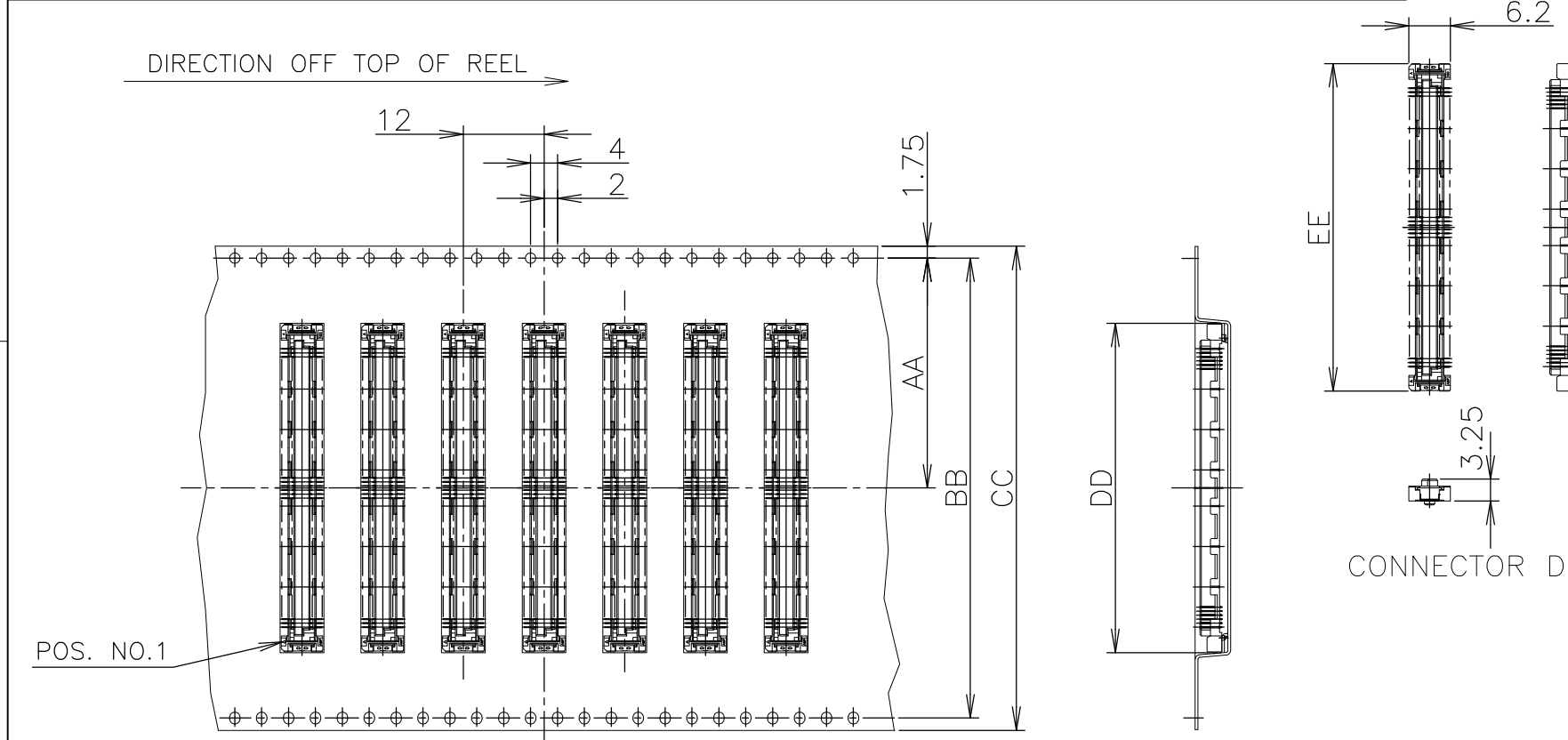
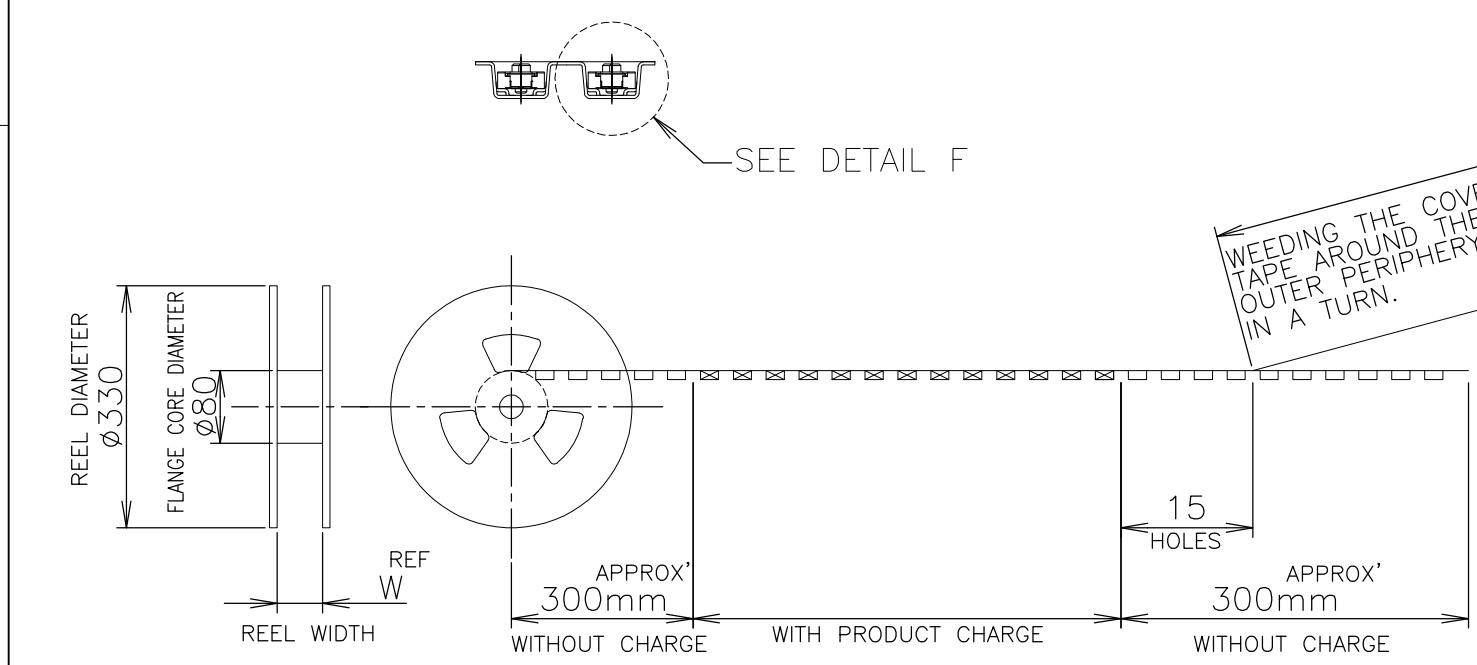


THIS DRAWING IS UNPUBLISHED. RELEASED FOR PUBLICATION JUN , 1996.  
 © COPYRIGHT 1996 By - ALL RIGHTS RESERVED.

LOC	DIST	REVISIONS					
J		P	LTR	DESCRIPTION	DATE	DWN	APVD
		D		REVISED PER ECR-14-013112	30JAN2015	I.T	W.H



CONNECTOR DETAIL



WEEDING THE COVER TAPE AROUND THE OUTER PERIPHERY IN A TURN.

SEE DETAIL F

SEALANT	NOT AVAILABLE	1000	△	77.5	54.7	55	72	68.4	34.2	160	6-5353190-1	
	AVAILABLE			77.5	48.7	49	72	68.4	34.2	140	6- -0	
	NOT AVAILABLE			61.5	42.7	43	56	52.4	26.2	120	5- -9	
	AVAILABLE			61.5	36.7	37	56	52.4	26.2	100	5- -8	
	NOT AVAILABLE			61.5	33.7	34	56	52.4	26.2	90	5- -7	
	NOT AVAILABLE			49.5	30.7	31	44	40.4	20.2	80	5- -6	
	AVAILABLE			49.5	27.7	28	44	40.4	20.2	70	5- -5	
	NOT AVAILABLE			49.5	24.7	25	44	40.4	20.2	60	5- -4	
	NOT AVAILABLE			37.5	21.7	22	32	28.4	14.2	50	5- -3	
	NOT AVAILABLE			37.5	18.7	19	32	28.4	14.2	40	5- -2	
NON SEALANT	NOT AVAILABLE	1000	△	29.5	15.7	16	24	11.5	30		5-5353190-1	
	AVAILABLE	1000	△	77.5	48.7	49	72	68.4	34.2	140	4-5353190-0	
	AVAILABLE		△	61.5	36.7	37	56	52.4	26.2	100	3- -8	
	NOT AVAILABLE		△	77.5	54.7	55	72	68.4	34.2	160	1- -1	
	AVAILABLE			77.5	48.7	49	72	68.4	34.2	140	1- -0	
	NOT AVAILABLE			61.5	42.7	43	56	52.4	26.2	120	-9	
	AVAILABLE			61.5	36.7	37	56	52.4	26.2	100	-8	
	NOT AVAILABLE			61.5	33.7	34	56	52.4	26.2	90	-7	
	NOT AVAILABLE			49.5	30.7	31	44	40.4	20.2	80	-6	
				49.5	27.7	28	44	40.4	20.2	70	-5	
SEALANT	AVAILABLE			49.5	24.7	25	44	40.4	20.2	60	-4	
	NOT AVAILABLE			37.5	21.7	22	32	28.4	14.2	50	-3	
				37.5	18.7	19	32	28.4	14.2	40	-2	
	NOT AVAILABLE	1000	△	29.5	15.7	16	24	11.5	30		5353190-1	
	TOOLING STATUS		QTY.	FINISH	W	EE	DD	CC	BB	AA	POS.	PART NO.

THIS DRAWING IS A CONTROLLED DOCUMENT.

DWN LEO ZHOU 16NOV04  
 CHK STEVEN YAO 16NOV04  
 APVD I.ENOMOTO 16NOV04

STE TE Connectivity

EMBOSS ASSY  
 FH 0.6BTB CONNECTOR  
 REC 4H WITH G-CONTACT

PRODUCT SPEC 108-60047  
 APPLICATION SPEC 114-5255

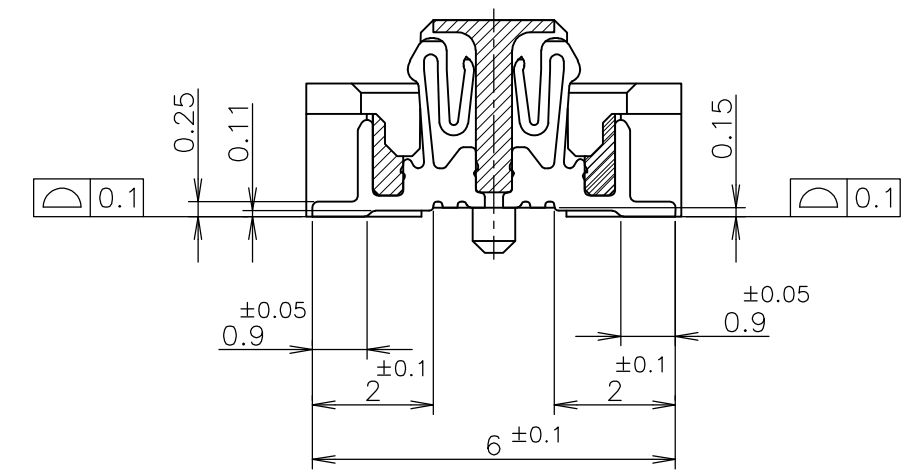
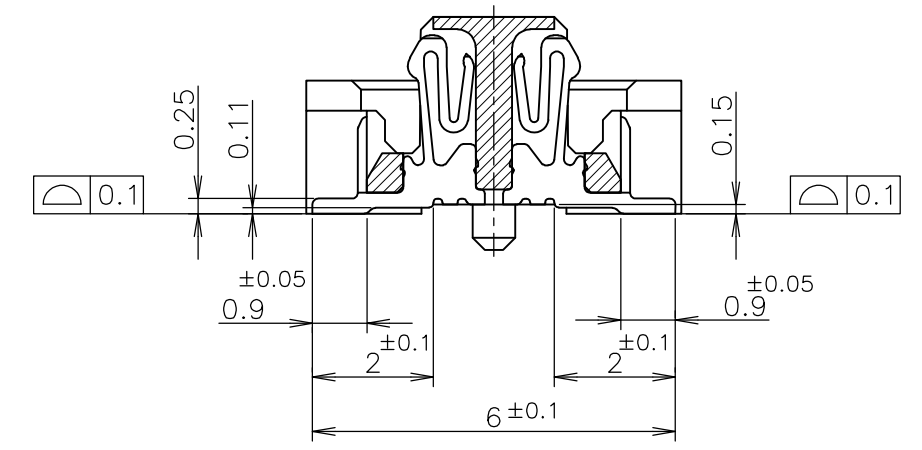
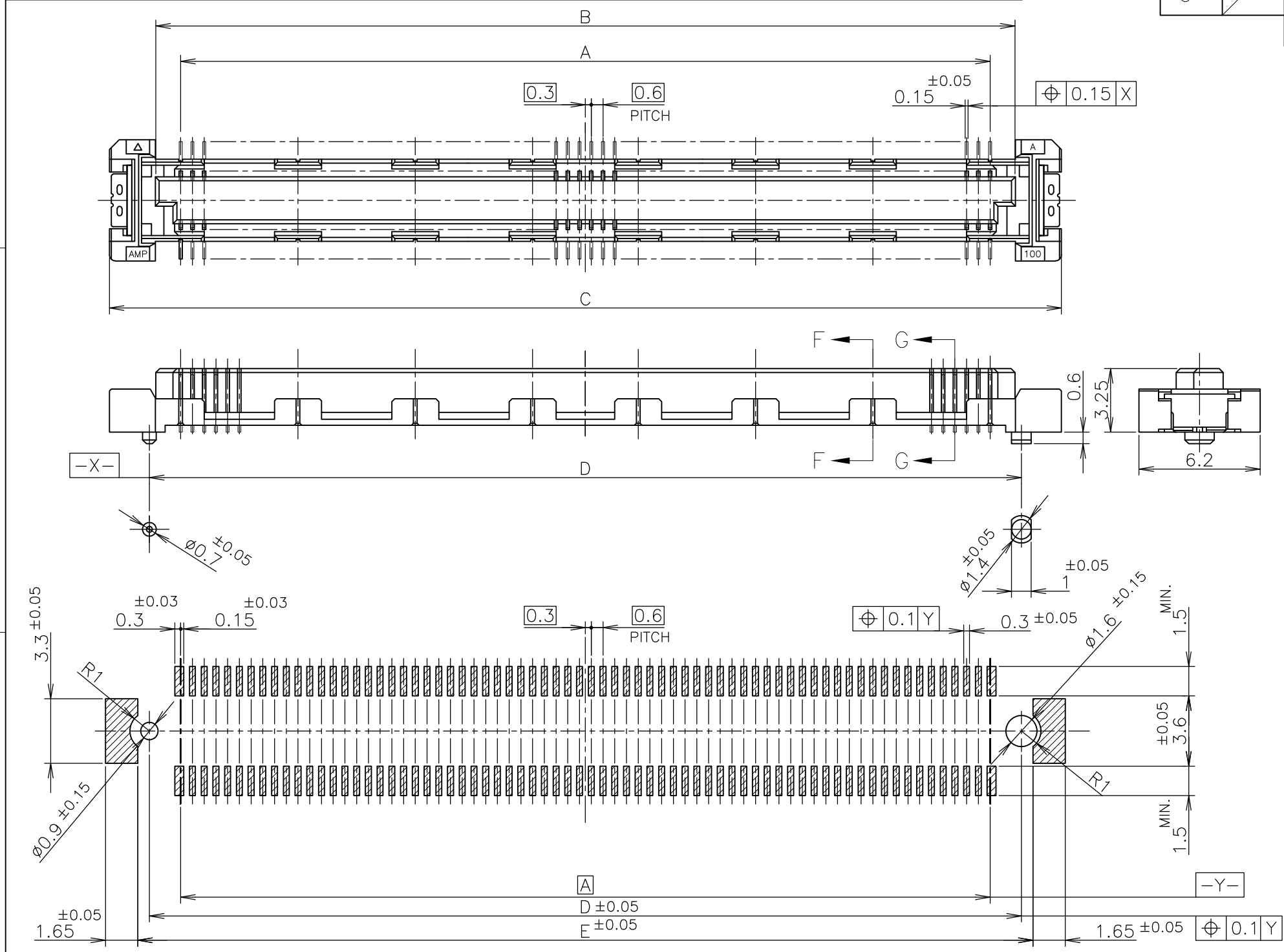
NAME 名称  
 SIZE A3 CAGE CODE 00779 DRAWING NO 番号 G-5353190 RESTRICTED TO

MATERIAL 材料 1  
 FINISH 仕上 2 6

WEIGHT  
 CUSTOMER DRAWING SCALE 1:1 SHEET 1 OF 3 REV D

THIS DRAWING IS UNPUBLISHED. RELEASED FOR PUBLICATION JUN , 1996.  
 © COPYRIGHT 1996 By - ALL RIGHTS RESERVED.

LOC	DIST	REVISIONS					
J		P	LTR	DESCRIPTION	DATE	DWN	APVD
		-		SEE SHEET 1	-	-	-



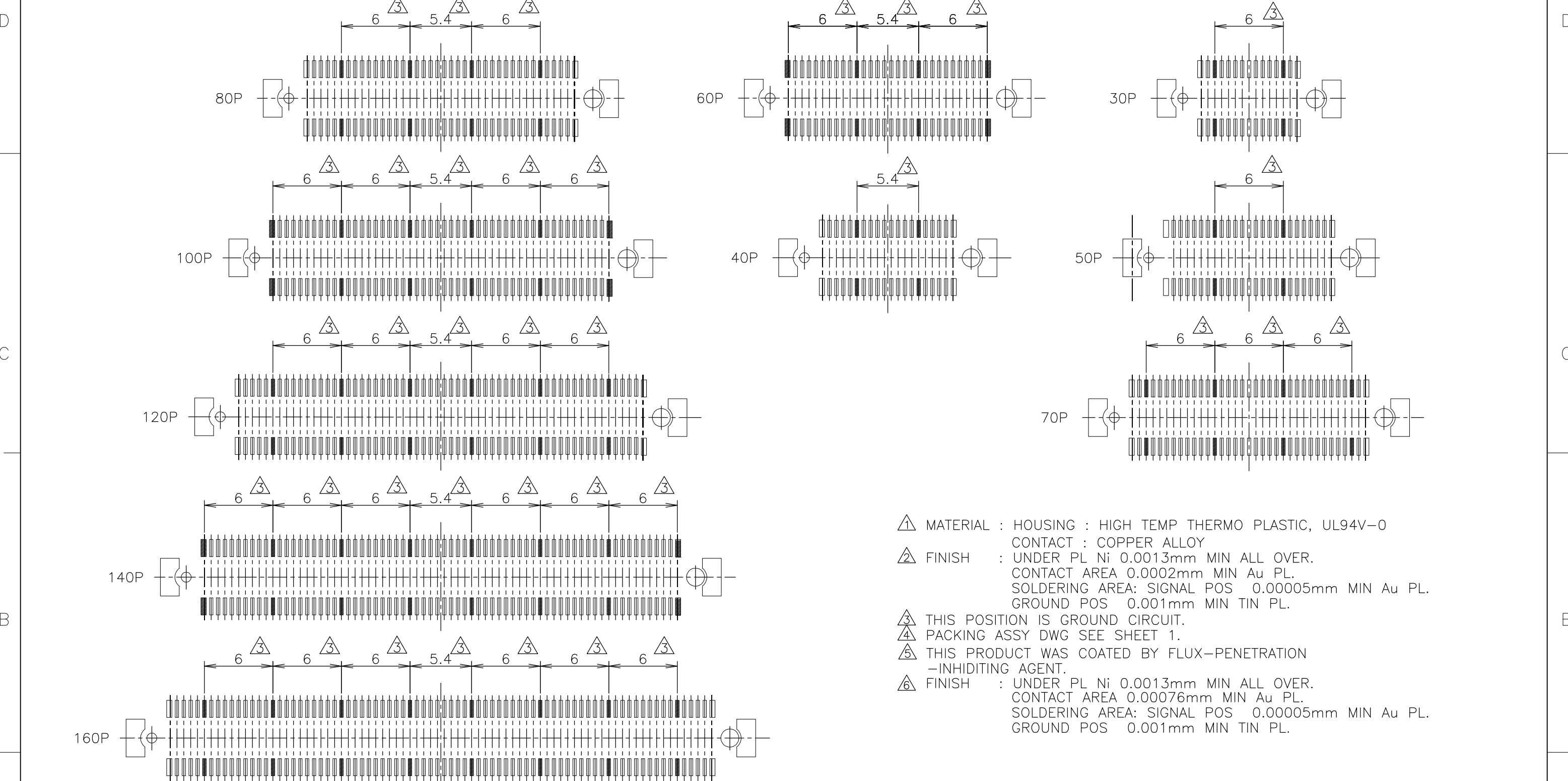
45.8	44.6	48.7	44	41.4	140	4-5353190-0		
33.8	32.6	36.7	32	29.4	100	3-8		
51.8	50.6	54.7	50	47.4	160	1-1 & 6-5353190-1		
45.8	44.6	48.7	44	41.4	140	1-0 & 6-0		
39.8	38.6	42.7	38	35.4	120	-9 & 5-		-9
33.8	32.6	36.7	32	29.4	100	-8 & 5-		-8
30.8	29.6	33.7	29	26.4	90	-7 & 5-		-7
27.8	26.6	30.7	26	23.4	80	-6 & 5-		-6
24.8	23.6	27.7	23	20.4	70	-5 & 5-		-5
21.8	20.6	24.7	20	17.4	60	-4 & 5-		-4
18.8	17.6	21.7	17	14.4	50	-3 & 5-		-3
15.8	14.6	18.7	14	11.4	40	-2 & 5-		-2
12.8	11.6	15.7	11	8.4	30	5353190-1 & 5-5353190-1		
E	D	C	B	A	POS	PART NO.		

REFERENCE P.C.BOARD LAYOUT

THIS DRAWING IS A CONTROLLED DOCUMENT.		DWN	TE Connectivity EMBOSS ASSY FH 0.6BTB CONNECTOR REC 4H WITH G-CONTACT			
DIMENSIONS: 單位: 耗 mm		CHK				
TOLERANCES UNLESS OTHERWISE SPECIFIED: 一般公差		APVD				
0 PLC ± 0.3 1 PLC ± 0.3 2 PLC ± 0.3 3 PLC ± 0.3 4 PLC ± 0.3 ANGLES ± 3°		PRODUCT SPEC 製品規格				
MATERIAL 材料		WEIGHT	APPLICATION SPEC 取付適用規格	NAME 名称		
FINISH 仕上		CUSTOMER DRAWING	SIZE	CAGE CODE	DRAWING NO 番号	RESTRICTED TO
			A3	00779	G-5353190	
			SCALE 尺度 4:1	SHEET 2 OF 3	REV D	

THIS DRAWING IS UNPUBLISHED. RELEASED FOR PUBLICATION JUN , 1996.  
 © COPYRIGHT 1996 By - ALL RIGHTS RESERVED.

LOC	DIST	REVISIONS 変更			DATE	DWN	APVD
J		P	LTR	DESCRIPTION			
		-		SEE SHEET 1	-	-	-



- ① MATERIAL : HOUSING : HIGH TEMP THERMO PLASTIC, UL94V-0  
CONTACT : COPPER ALLOY
- ② FINISH : UNDER PL Ni 0.0013mm MIN ALL OVER.  
CONTACT AREA 0.0002mm MIN Au PL.  
SOLDERING AREA: SIGNAL POS 0.00005mm MIN Au PL.  
GROUND POS 0.001mm MIN TIN PL.
- ③ THIS POSITION IS GROUND CIRCUIT.
- ④ PACKING ASSY DWG SEE SHEET 1.
- ⑤ THIS PRODUCT WAS COATED BY FLUX-PENETRATION  
-INHIDTING AGENT.
- ⑥ FINISH : UNDER PL Ni 0.0013mm MIN ALL OVER.  
CONTACT AREA 0.00076mm MIN Au PL.  
SOLDERING AREA: SIGNAL POS 0.00005mm MIN Au PL.  
GROUND POS 0.001mm MIN TIN PL.

THIS DRAWING IS A CONTROLLED DOCUMENT.		DWN		<b>STE</b> TE Connectivity	
DIMENSIONS: 単位: 耗 mm		CHK			
TOLERANCES UNLESS OTHERWISE SPECIFIED: 一般公差		APVD		NAME 名称	
0 PLC ± 0.3		PRODUCT SPEC 製品規格		EMBOSS ASSY	
1 PLC ± 0.3		APPLICATION SPEC 取付適用規格		FH 0.6BTB CONNECTOR	
2 PLC ± 0.3		WEIGHT		REC 4H WITH G-CONTACT	
3 PLC ± 0.3		CUSTOMER DRAWING		SIZE	CAGE CODE
4 PLC ± 0.3				A3	00779
ANGLES ± 3'				DRAWING NO 番号	RESTRICTED TO
FINISH 仕上				C-5353190	-
				SCALE 尺度	SHEET
				3:1	3 OF 3
				REV	D