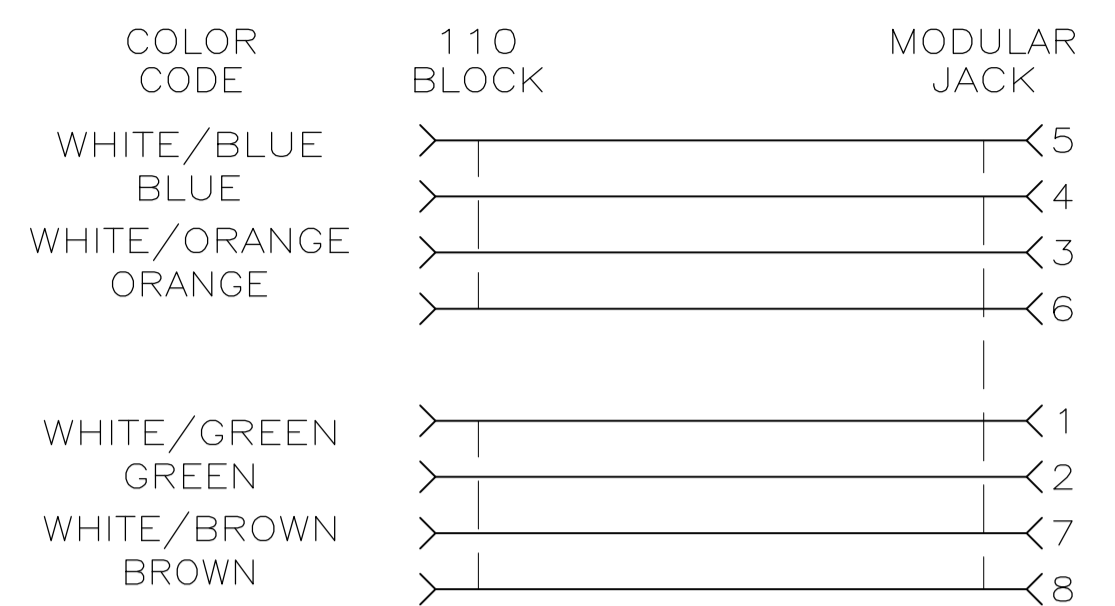
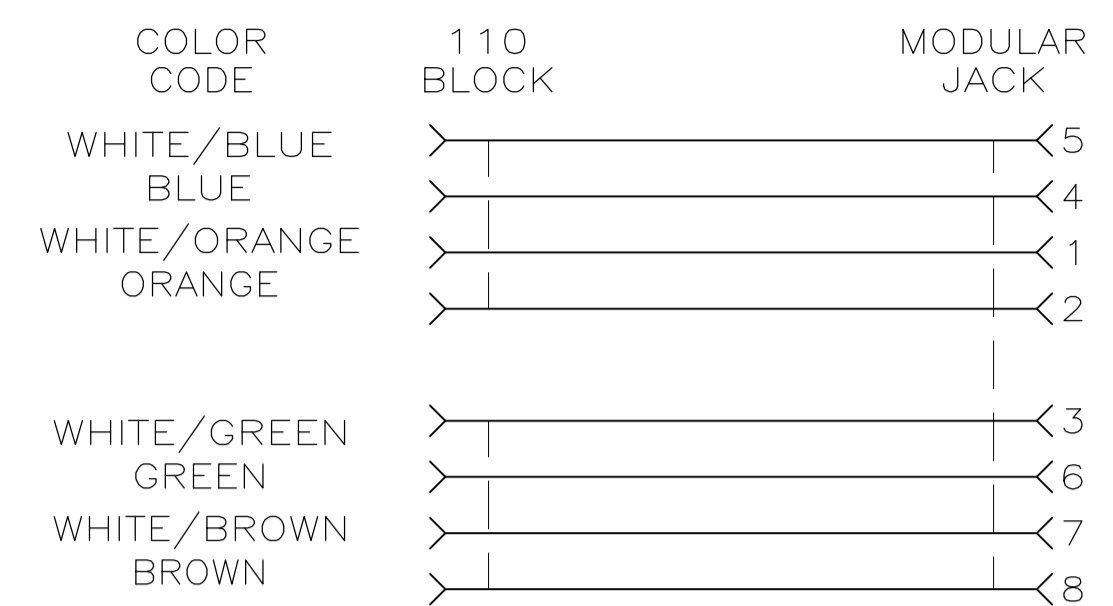


LOC		DIST		REVISIONS			
HM	00	REV	DESCRIPTION	DATE	BY	CHK	APPV
G1		REVISED PER	ECO-11-005033	21MAR11	RK	HMR	
G2		ADD 1/3, REV	ECO-11-011931	10JUN2011	LH	SA	

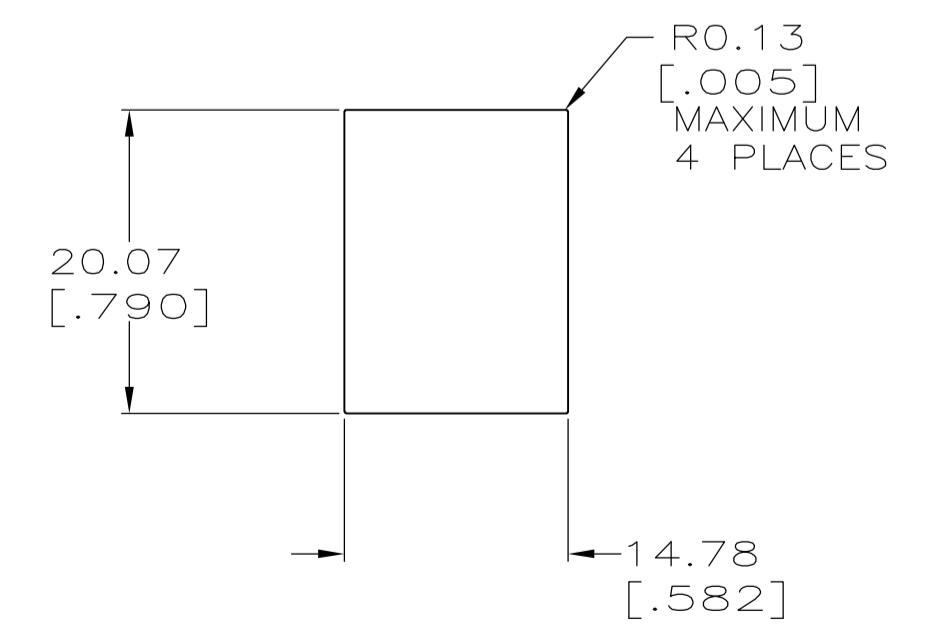
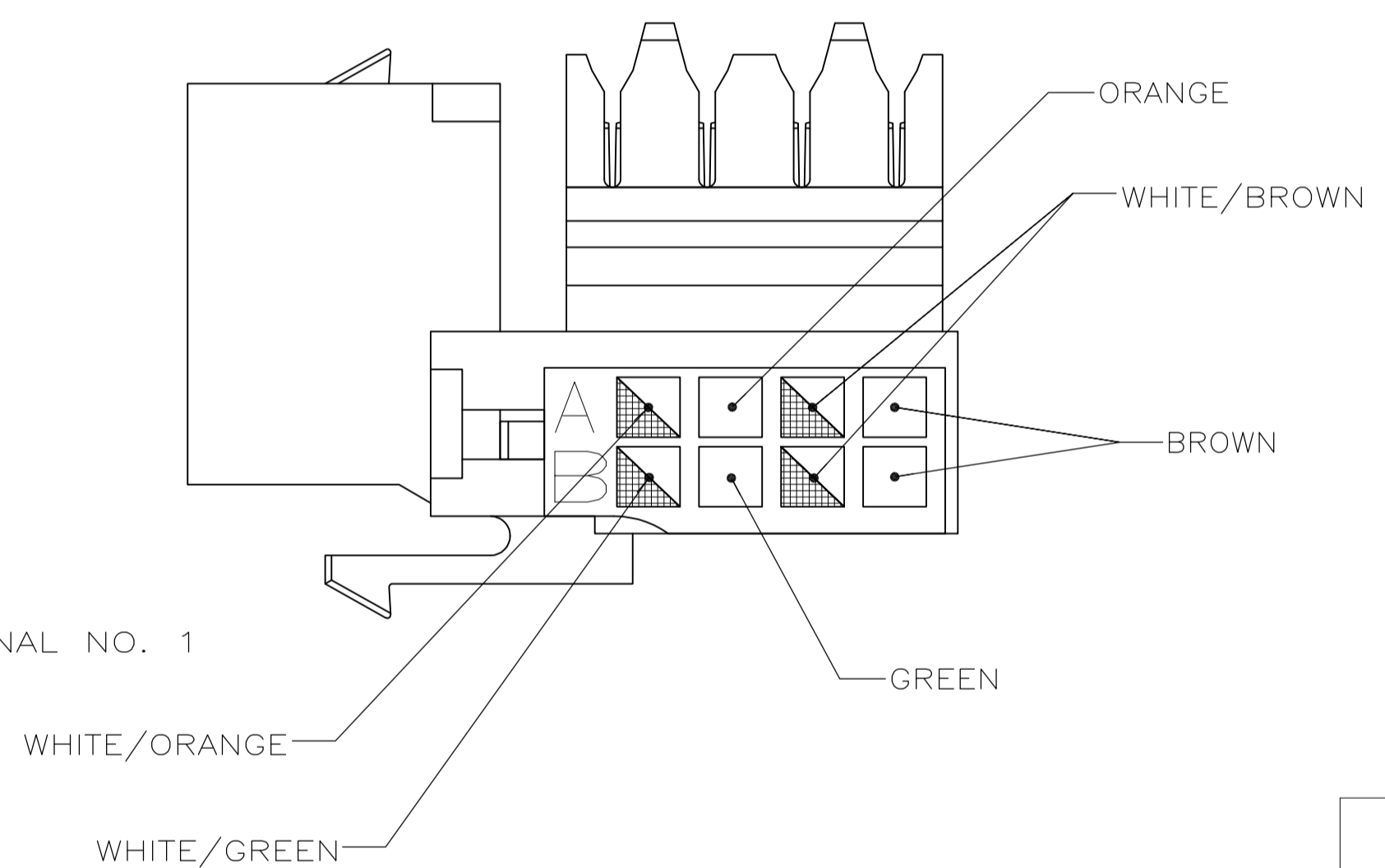
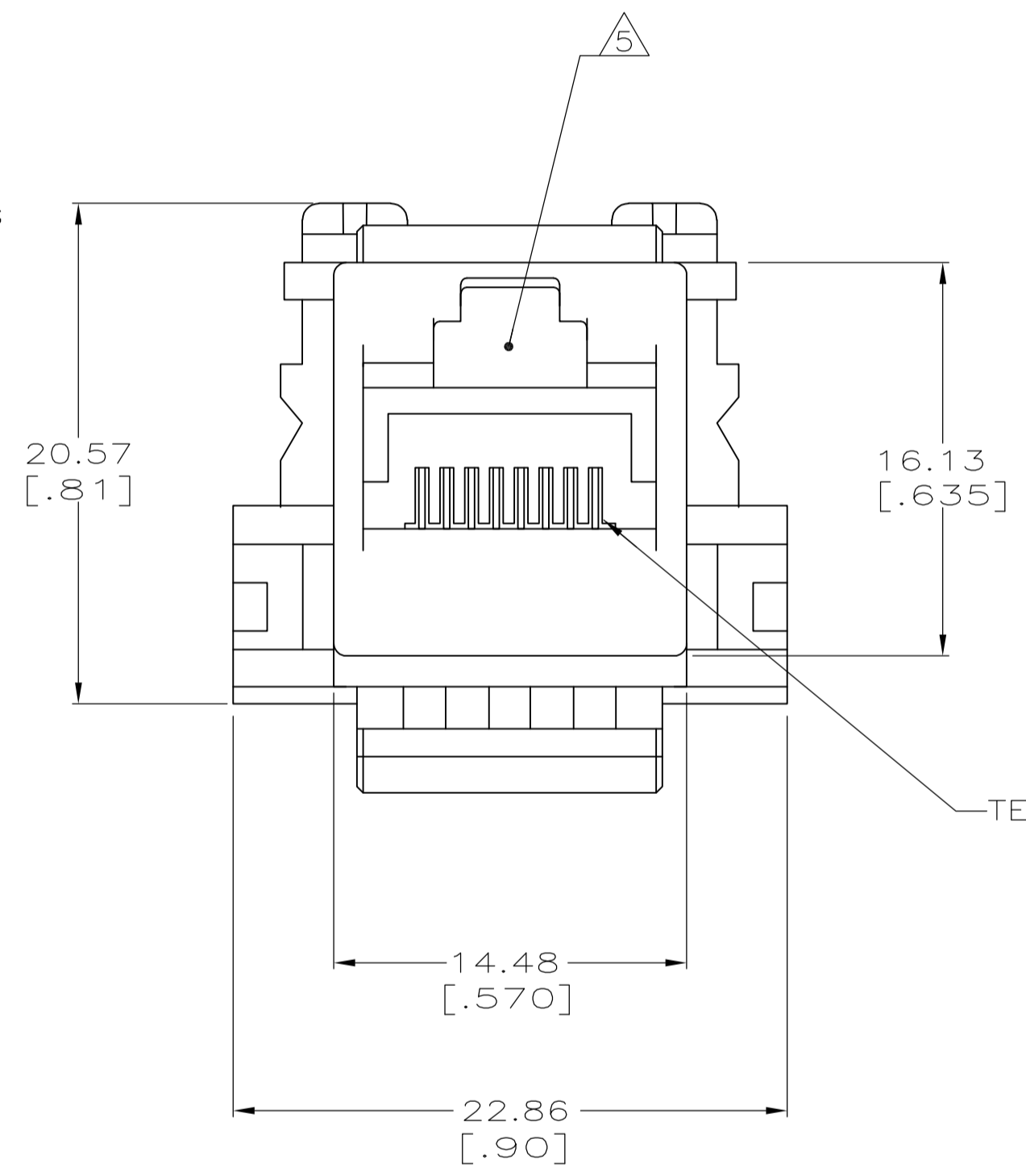
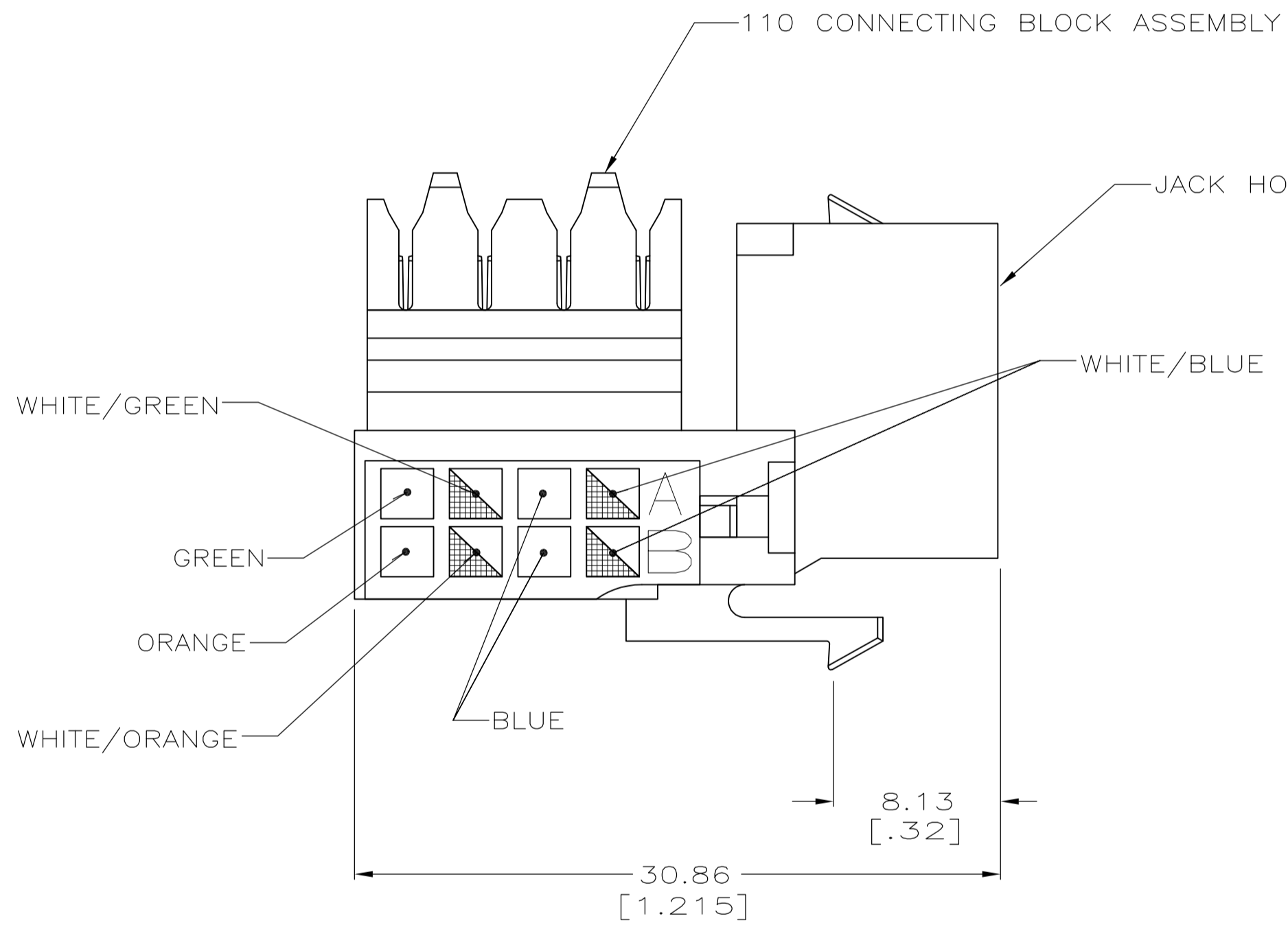


ELECTRICAL SCHEMATIC T568A

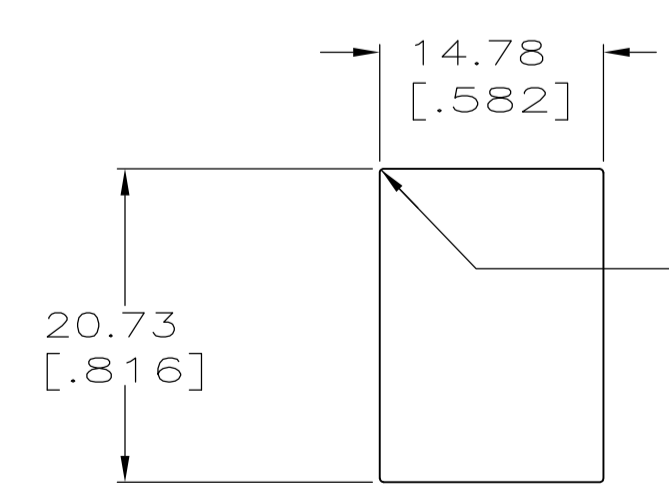


ELECTRICAL SCHEMATIC T568B

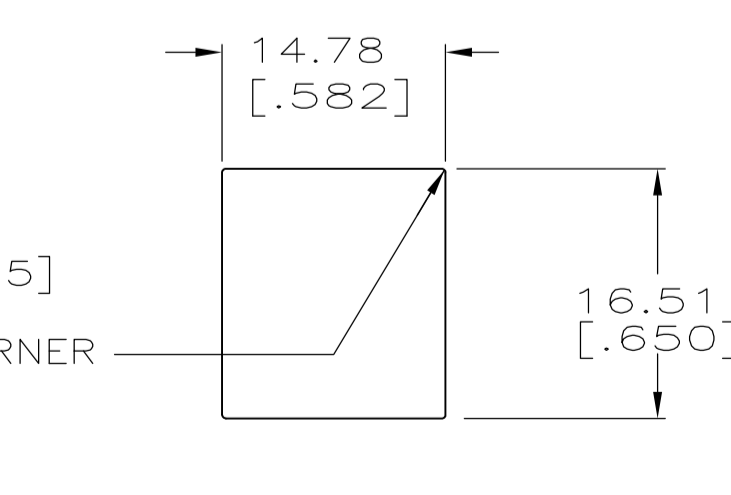
- ⚠ MATERIAL: HOUSING - POLYCARBONATE, 94V-0 RATED. SEE TABLE FOR COLOR. JACK CONTACTS - PHOSPHOROUS BRONZE, PLATED WITH 1.27μm [.000050] MINIMUM THICK GOLD IN LOCALIZED AREA AND 3.81μm [.000150] MINIMUM THICK MATTE TIN IN SOLDER AREA OVER 1.27μm [.000050] MINIMUM THICK NICKEL UNDERPLATE.
- 2. 110 BLOCK WILL TERMINATE 22-26 AWG SOLID OR 7 STRAND CONDUCTORS, 1.27 [.050] MAXIMUM INSULATION DIAMETER.
- 3. MOUNTING PANEL THICKNESS 1.473 - 1.600 [.058 - .063].
- ⚠ ONE MODULAR JACK ASSEMBLY PER POLYBAG.
- ⚠ CAVITY CONFORMS TO FCC RULES AND REGULATIONS PART 68 SUBPART F REQUIREMENTS.
- ⚠ THESE TWO SUGGESTED CUTOUT OPENINGS ARE USED IN TANDEM WITH DUAL FRONT AND BACK CUTOUTS.
- ⚠ TWENTY FIVE MODULAR JACK ASSEMBLIES PER POLYBAG.



SUGGESTED SINGLE PANEL CUTOUT SCALE 2:1



SUGGESTED BACK PANEL CUTOUT SCALE 2:1



SUGGESTED FRONT PANEL CUTOUT SCALE 2:1

PACKAGED	HOUSING COLOR	PART NUMBER
⚠	ALPINE WHITE	3-406372-3
	ELECTRIC IVORY	3-406372-1
	VIOLET	3-406372-0
	GREEN	2-406372-9
	YELLOW	2-406372-8
	RED	2-406372-7
	BLUE	2-406372-6
	ORANGE	2-406372-5
	NEMA GRAY	2-406372-4
	WHITE	2-406372-3
⚠	BLACK	2-406372-2
	LIGHT ALMOND	2-406372-1
	ALPINE WHITE	1-406372-3
	ELECTRIC IVORY	1-406372-1
	VIOLET	1-406372-0
	GREEN	406372-9
	YELLOW	406372-8
	RED	406372-7
	BLUE	406372-6
	ORANGE	406372-5
NEMA GRAY	406372-4	
WHITE	406372-3	
BLACK	406372-2	
LIGHT ALMOND	406372-1	

THIS DRAWING IS A CONTROLLED DOCUMENT. DTN DL DRUMMOND 25 NOV 96. CHK T WOOTEN 09 JAN 97. APVD G ROWMAN 09 JAN 97. NAME 110 MODULAR JACK ASSEMBLY, RJ45, ENHANCED CAT5, UNIVERSAL. PRODUCT SPEC 108-1389. APPLICATION SPEC 408-3389. SIZE A1. CAGE CODE 00779. DRAWING NO. 406372. RESTRICTED TO CUSTOMER DRAWING. SCALE 4:1. SHEET 1 OF 1. REV G2.