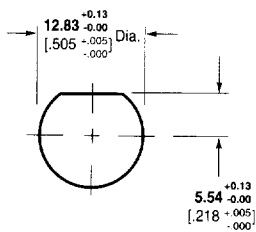
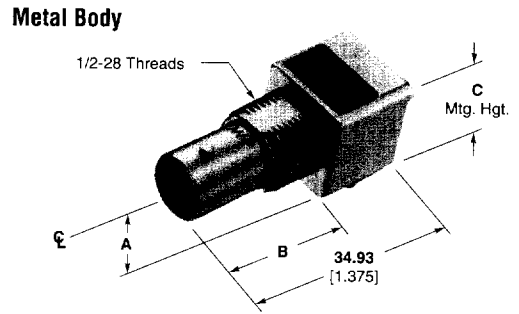
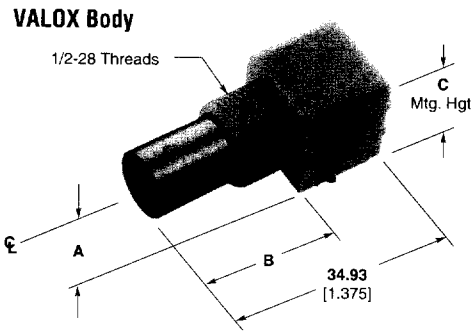


BNC Connectors, 75 Ohm (Continued)

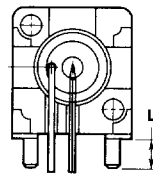
**Right-Angle Jacks
PC Board/Panel Mount**

Outer Shell — Nickel
Dielectric — Polymethylpentene
Lockwasher and Jam Nut see page 74.



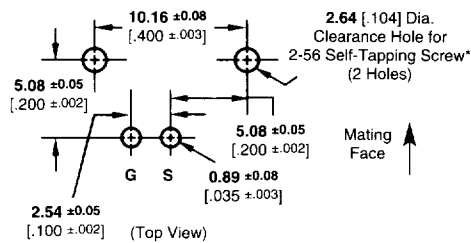
Maximum Panel Thickness 6.1 [.240]

Recommended Panel Cutout

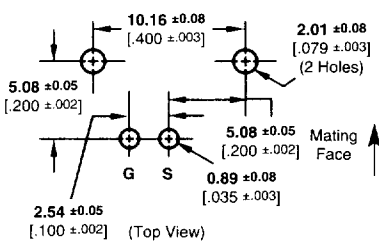


Recommended PC Board Layouts

Without Mounting Posts



With Mounting Posts



* Screw for panel thickness of **2.38** [3/32] or greater
Part No. 221108-2.
Screw for panel thickness of less than **2.38** [3/32]
Part No. 221108-4.

Body Material	Center Contact Plating	Dimensions				Part No.	
		A	B	C	L	Without Mounting Posts	With Mounting Posts
*VALOX, Black with Compliant Posts (Economy)	Gold3	.243	.835	.460	.110	—	415105-2
*VALOX, Black (Economy)	Gold3	.243	.835	.460	.158	—	415105-1
VALOX, White	Gold1	6.91 .272	21.08 .830	13.88 .519	3.48 .137	—	413194-1
*VALOX, White (Economy)	Gold1	6.91 .272	21.21 .835	13.88 .519	3.48 .137	—	415634-2
VALOX, Black	Gold1	6.91 .272	21.08 .830	13.88 .519	3.48 .137	—	413194-2
*VALOX, Black (Economy)	Gold1	6.91 .272	21.21 .835	13.88 .519	3.48 .137	—	415634-1
*VALOX, Black (Economy)	Gold1	8.59 .338	21.21 .835	15.88 .625	3.48 .137	—	415633-1
VALOX, White	Gold2	8.59 .338	21.21 .835	15.88 .625	3.48 .137	—	414459-1
Metal	Gold1	8.25 .325	20.83 .820	15.88 .625	2.16 .085	—	222092-1
Metal	Gold1	8.25 .325	20.83 .820	15.88 .625	—	222093-1	—
*Metal (Economy)	Gold1	8.25 .325	20.83 .820	15.88 .625	3.48 .137	—	414409-1
*Metal (Economy)	Gold1	8.25 .325	20.83 .820	15.88 .625	—	414410-1	—
*Metal with Compliant Posts (Economy)	Gold1	6.91 .272	20.83 .820	12.70 .500	3.48 .137	—	415417-1
*Metal with Compliant Posts (Economy)	Tin-Lead	8.56 .337	21.21 .835	15.88 .625	3.48 .137	—	415419-1
Metal	Silver	8.25 .325	20.83 .820	15.88 .625	2.16 .085	—	222092-2
Metal	Gold1	8.25 .325	20.83 .820	15.88 .625	3.48 .137	—	222092-3
Metal	Gold1	6.91 .272	20.83 .820	12.70 .500	3.48 .137	—	414907-1
Metal	Gold1	6.91 .272	20.83 .820	12.70 .500	—	1274072-1	—
*Metal (Economy)	Gold1	6.91 .272	20.83 .820	12.70 .500	3.48 .137	—	1274084-1
*Metal (Economy)	Gold1	6.91 .272	20.83 .820	12.70 .500	3.48 .137	—	1274084-2**
*High Temp w/ Compliant Posts (Economy)	Gold1	6.91 .272	21.21 .835	13.88 .519	2.79 .110	—	415655-1**

*Stamped and formed contact, Phosphor Bronze contact material
**IR Reflow Compatible

Plating:

Gold1 — 0.00076 [.000030] thick
Gold2 — 0.00127 [.000050] thick
Gold3 — 0.00008 [.000003] thick

Note: If an Insulating Bushing is required see part number 330620 and Panel Cutout on page 54.