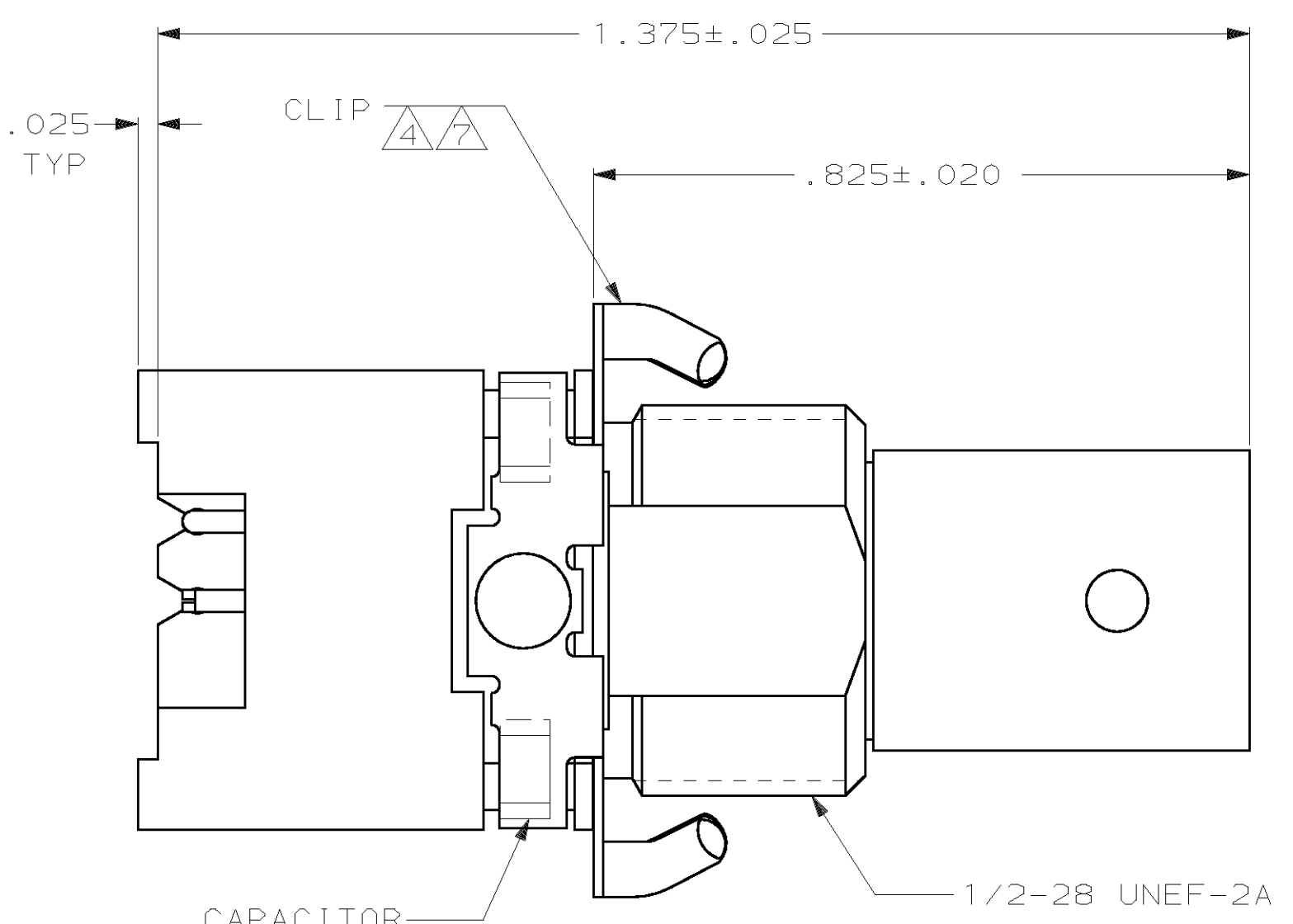
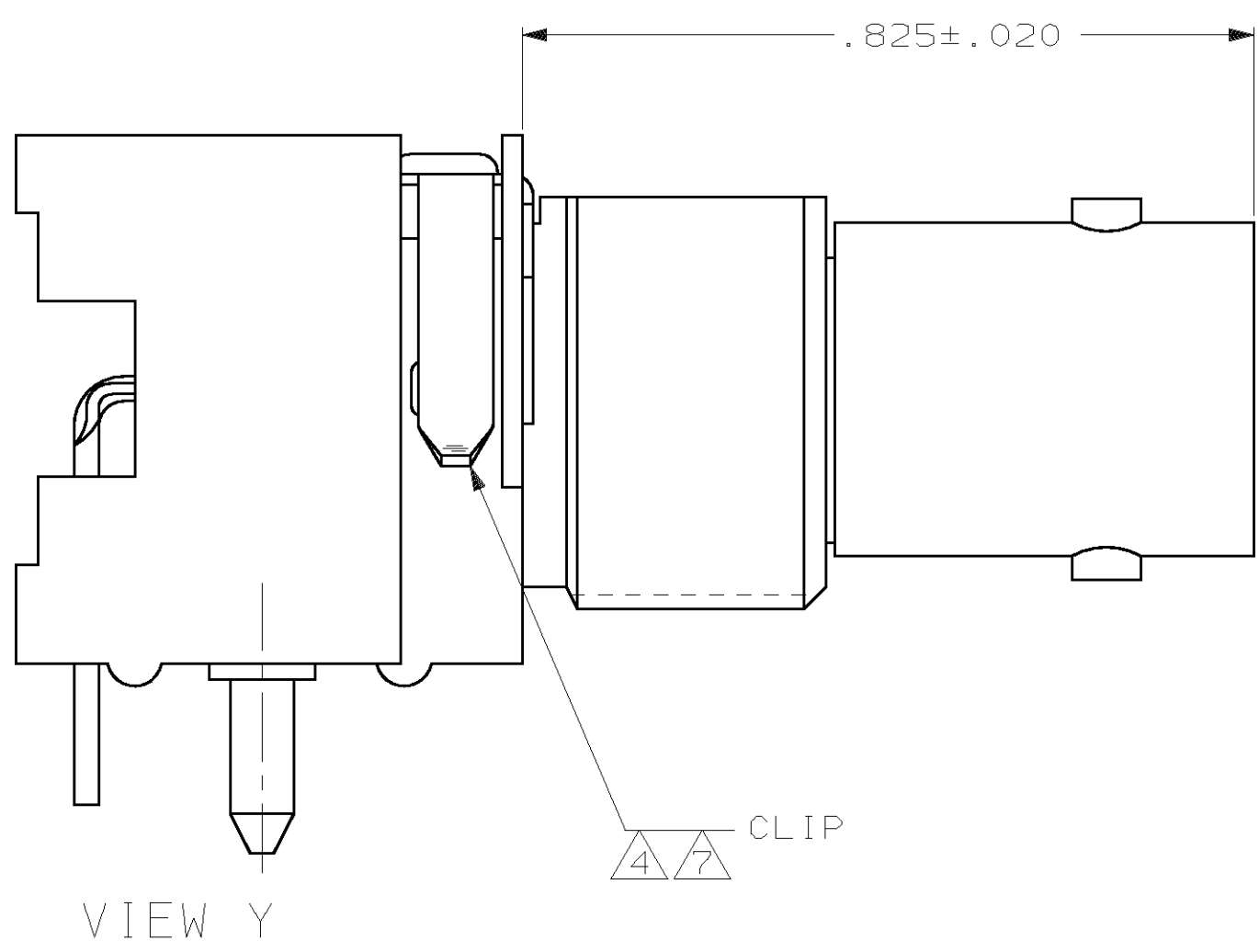
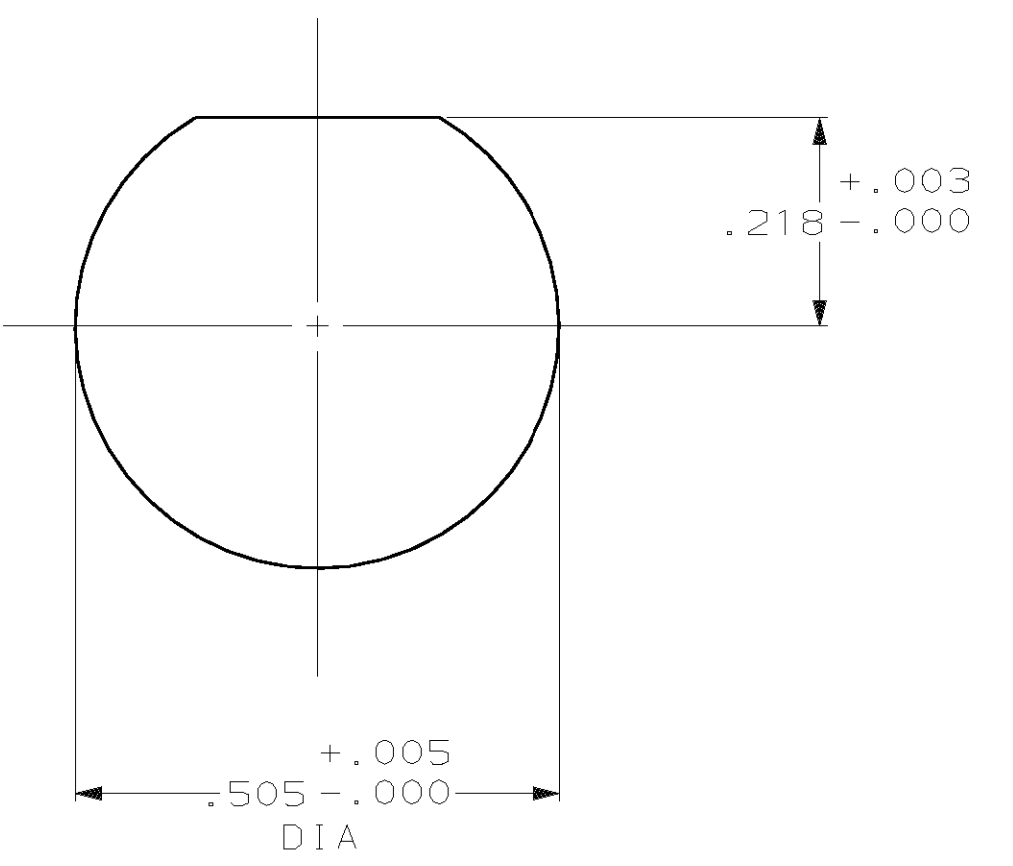
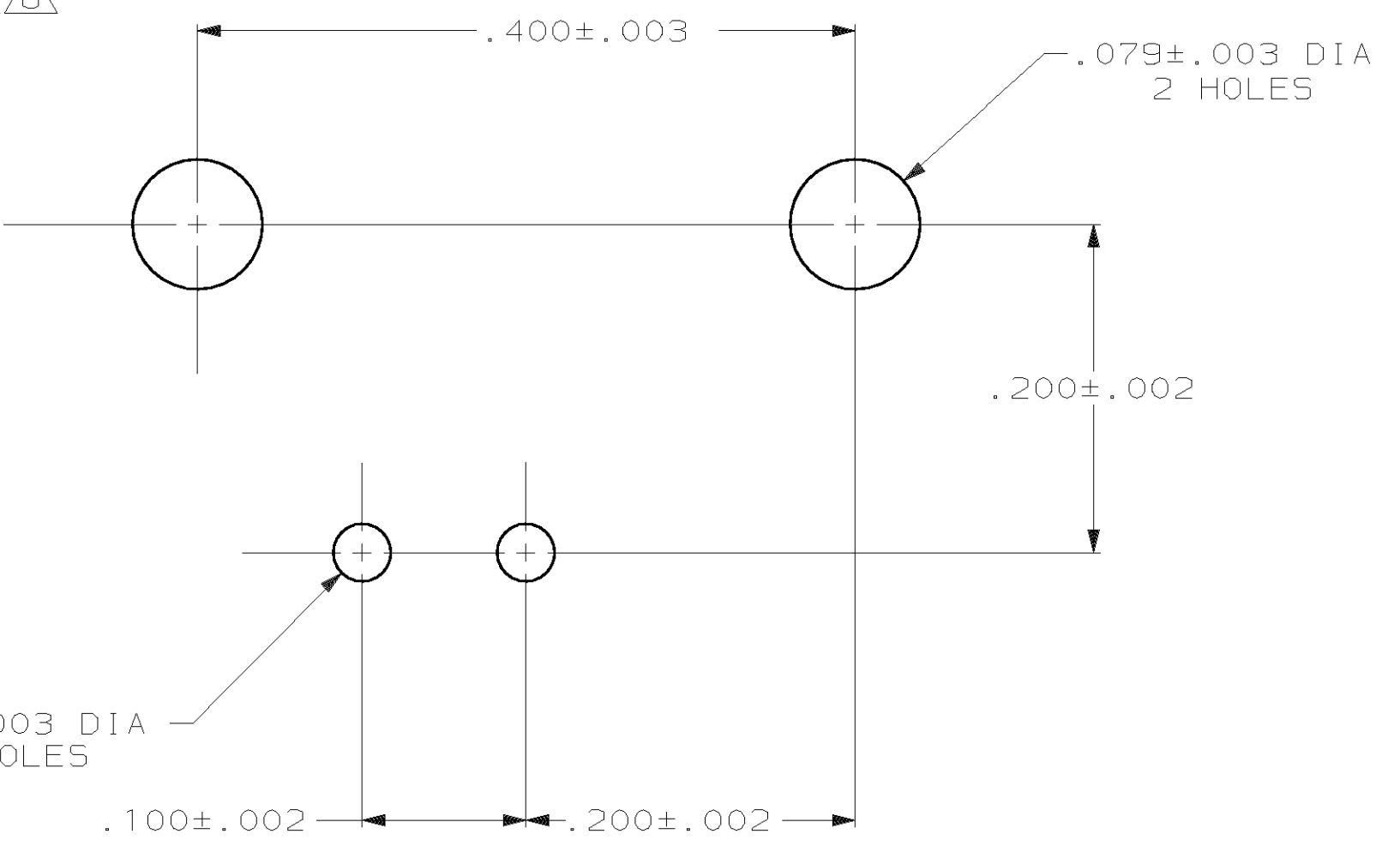
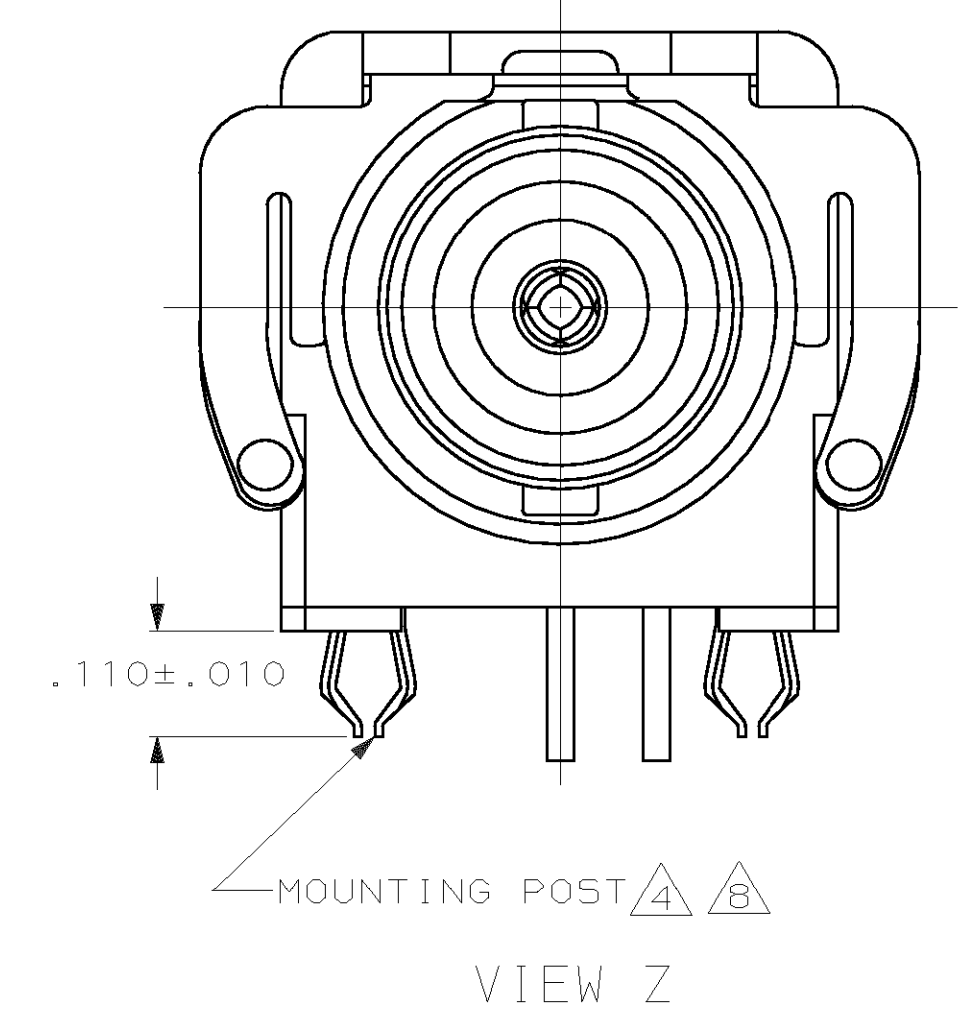
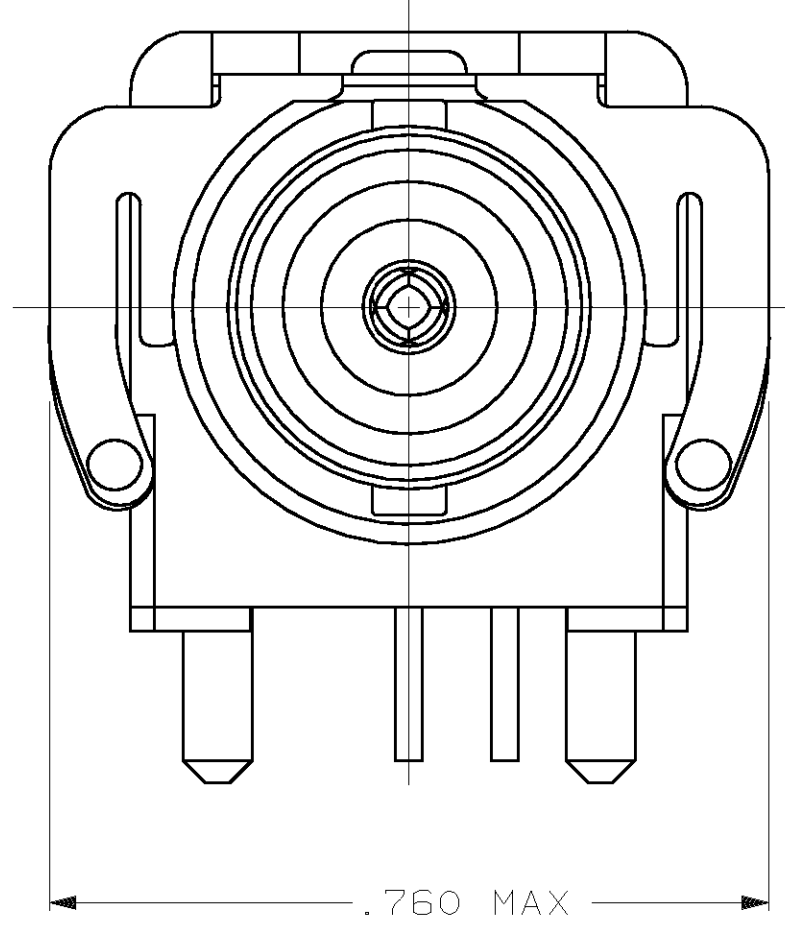
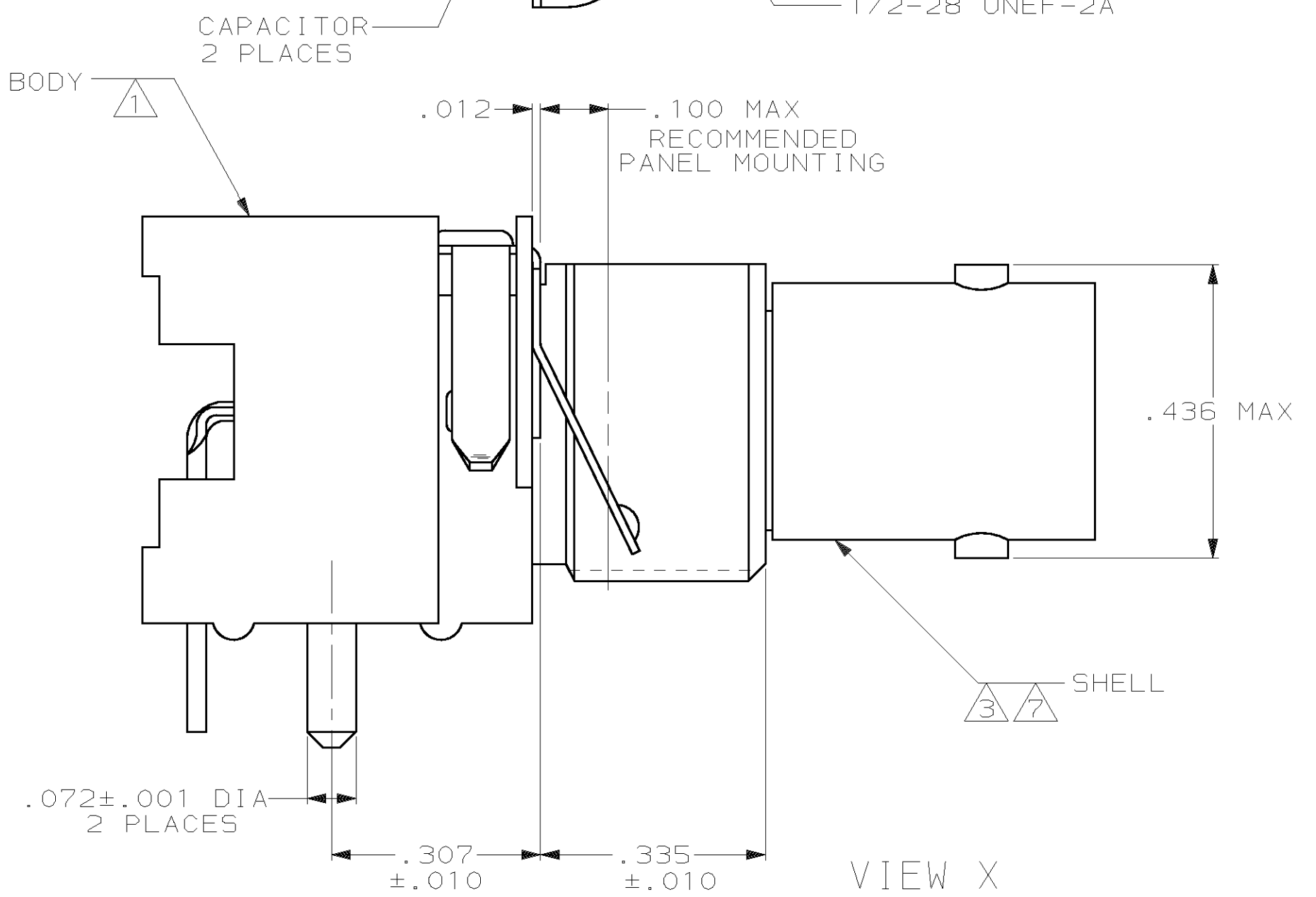
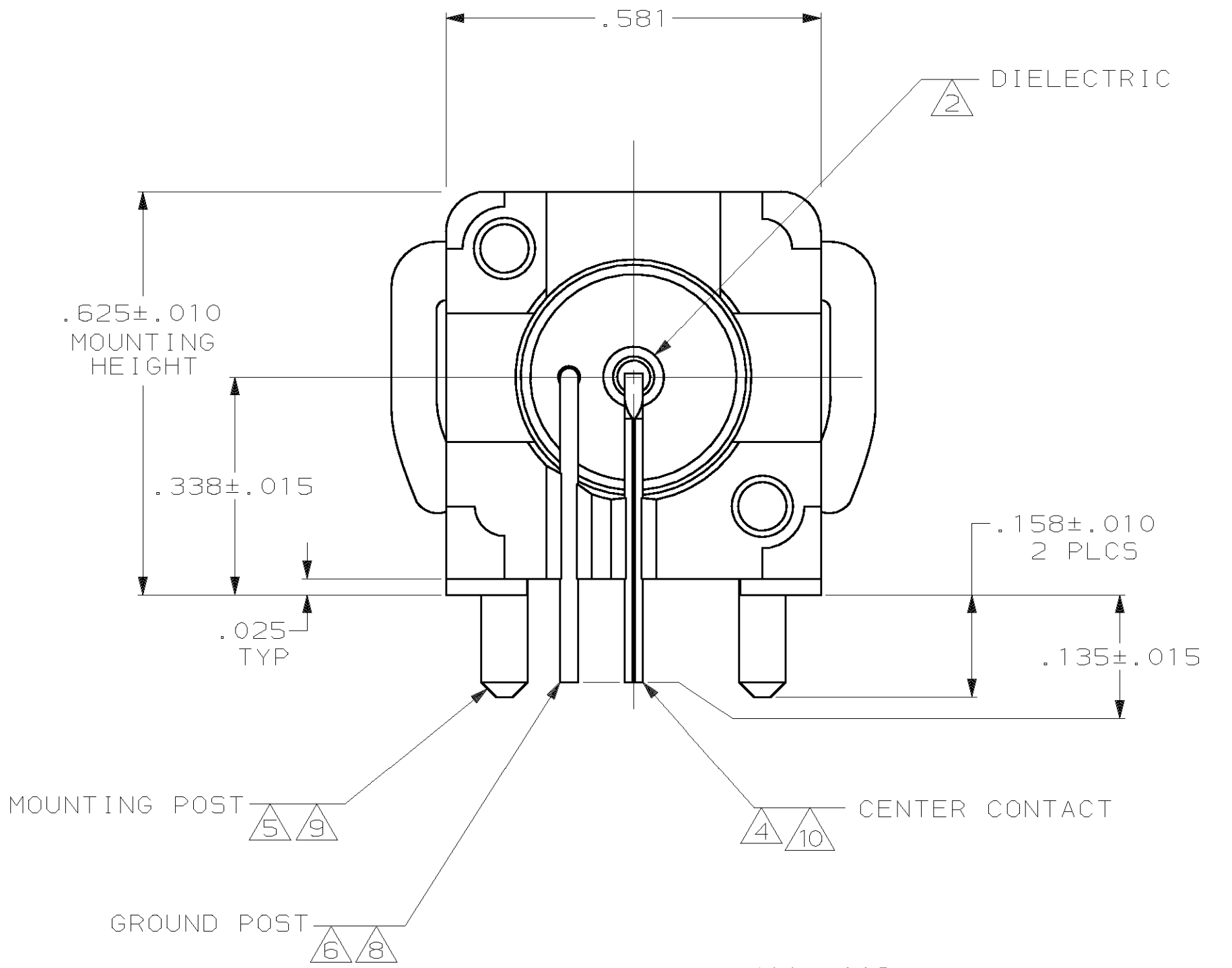


LOC		DIST		REV		REVISIONS	
NO	DATE	BY	CHK	ZONE	LTR	DESCRIPTION	DATE
AJ	16	P	F	J		SUPSD -1 PER 0U20-0168-00	10NOV00
							MO



- 1 POLYESTER, PBT, BLACK, PER MIL-M-24519
- 2 POLYMETHYLPENTENE GENERAL PURPOSE
- 3 ZINC PER QQ-Z-363
- 4 PHOSPHOR BRONZE PER QQ-B-750
- 5 BRASS PER QQ-B-626
- 6 BRASS PER ASTM-B-453
- 7 NICKEL PL PER QQ-N-290
- 8 TIN-LEAD PL PER MIL-P-81728
- 9 TIN-LEAD PL PER ASTM-B-545
- 10 SELECTIVELY GOLD PLATED ON INTERFACE AREA PER: MIL-G-45204, .000030 THK, TIN-LEAD PLATED ON SOLDER TAIL PER: MIL-P-81728, ALL OVER NICKEL PL PER: QQ-N-290



VIEW Z	VIEW X	9400 pF, 1500 VDC	413524-5
SUPSD BY 413524-2	VIEW X OR Y	VIEW Y	9400 pF, 1500 VDC
SUPSD BY 413524-2	VIEW X OR Y	VIEW Y	9400 pF, 500 VDC
SUPSD BY 413524-2	VIEW X OR Y	VIEW X	9400 pF, 1500 VDC
SUPSD BY 413524-2	VIEW X OR Y	VIEW X	9400 pF, 500 VDC
MOUNTING POST	CLIP	CAPACITANCE & VOLTAGE	PART NUMBER

DO NOT SCALE PRINT. UNLESS SPECIFIED DIMENSIONS IN INCHES TOLERANCES ON:		DR 4/30/90 P.KERLIN		PART NO	
2 PLC DEC \pm		CHK 5/18/90 R.E.RUTH		AMP INCORPORATED Harrisburg, Pa. 17105	
3 PLC DEC \pm		APPD 5/18/90 P.BIRD			
ANGLES \pm		APPD 5/18/90 R.E.RUTH		NAME	
MATERIAL		PRODUCT SPEC		JACK, DECOUPLER, RIGHT ANGLE, PCB, SERIES BNC	
FINISH		APPLICATION SPEC		SIZE	D
		WEIGHT		CAGE CODE	00779
				DRAWING NO	413524
				SCALE	5:1
				SHEET	1 OF 1