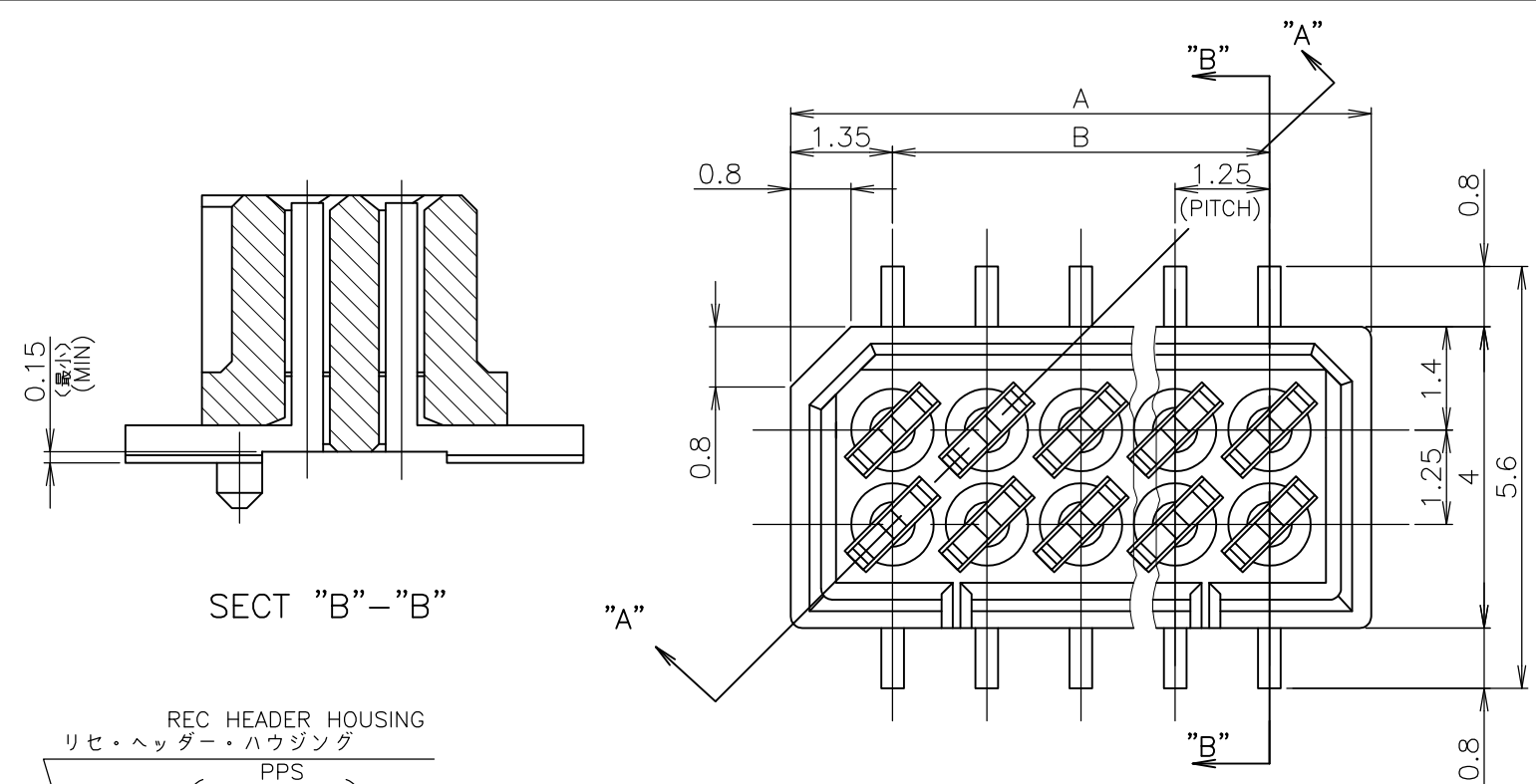


THIS DRAWING IS UNPUBLISHED. RELEASED FOR PUBLICATION ? ? ?
 © COPYRIGHT ? By - ALL RIGHTS RESERVED.

| LOC | DIST | REVISIONS | | | | | |
|-----|------|-----------|-----|---------------------------|-----------|-----|------|
| | | P | LTR | DESCRIPTION | DATE | DWN | APVD |
| J | | P2 | | REVISED PER ECR-14-010014 | 31NOV2014 | I.T | W.H |

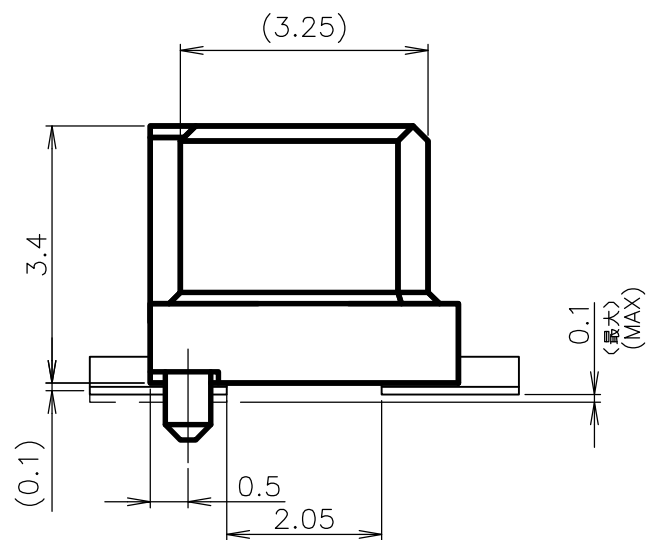
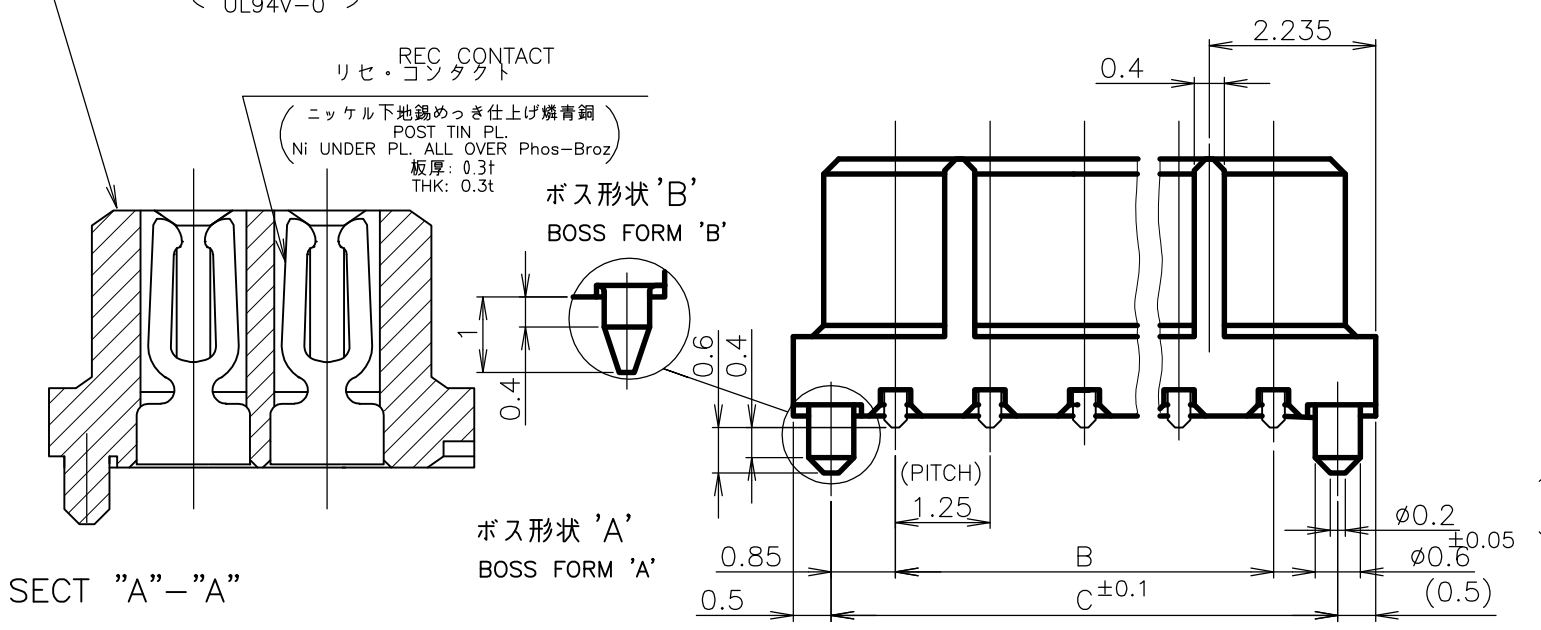
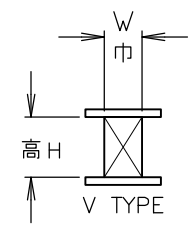


1 嵌合相手製品型番及び、嵌合時寸法は
 MATING COUNTER PART NUMBER AND DIMENSIONS
 表-1 参照のこと。
 AFTER MATING: SEE TABLE 1.

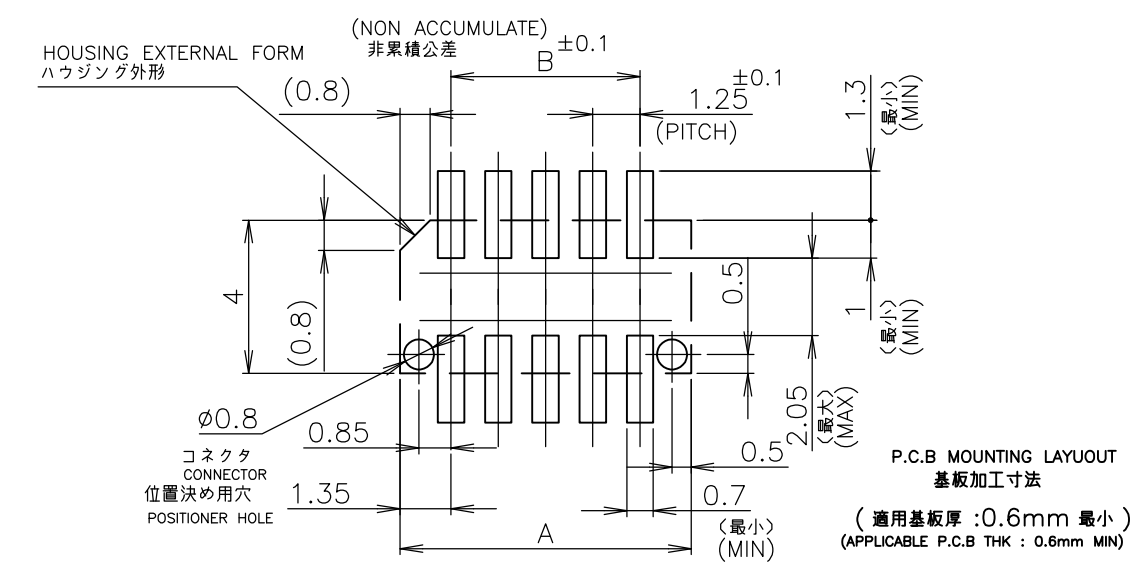
嵌合時寸法: 巾(mm)×高さ(mm)
 DIMENSIONS AFTER MATING: WIDE(mm) x HEIGHT(mm)

| DIP TYPE | MATING COUNTER CONN 嵌合相手側コネクタ POST HDR ASSY | | REC HDR ASSY SMT V TYPE WITH BOSS X-174639-X | |
|----------|---|------------|---|--------------------------|
| | 製品型番 | P/N | 高さ H | |
| DIP TYPE | X-174643-X | | 3.95 | 5.6 (巾W) x 5.0 (高さH) |
| | | | 5.95 | 5.6 (巾W) x 7.0 (高さH) |
| SMT TYPE | ボス無 WITHOUT BOSS | X-174645-X | 3.95 | 5.6 (巾W) x 6.5 (高さH) |
| | ボス付 WITH BOSS | X-174821-X | 5.45 | 5.6 (巾W) x 6.5 (高さH) |
| | | | 5.95 | 5.6 (巾W) x 7.0 (高さH) |
| | ボス無 WITHOUT BOSS | X-178041-X | 9.35 | 7.0 (巾W) x 10.5 (高さH) |
| | ボス付 WITH BOSS | X-176756-X | | |

TABLE 1 SMT TYPEは、巾及び高さ寸法に
 SMT TYPE INCLUDE DIMENSIONS
 半田付タイン部寸法を含みます。
 OF SOLDER DIP TIME.



| | | | | | | | |
|----------|-------------------|-------|-------|-------|------------|----|------------|
| OBSOLETE | 'A' | 12.95 | 11.25 | 13.95 | 20 | 5- | -0 |
| | | 11.70 | 10.00 | 12.70 | 18 | 4- | -8 |
| | | 10.45 | 8.75 | 11.45 | 16 | 4- | -6 |
| | | 9.20 | 7.50 | 10.20 | 14 | 4- | -4 |
| | | 7.95 | 6.25 | 8.95 | 12 | 4- | -2 |
| | | 6.70 | 5.00 | 7.70 | 10 | 4- | -0 |
| | 'B' | 4.20 | 2.50 | 5.20 | 6 | | 3-174639-6 |
| | ボス形状 BOSS FORM | C | B | A | 極数 Pos. | | 型番 P/N |



THIS DRAWING IS A CONTROLLED DOCUMENT.

| | | |
|------|------------|---------|
| DWN | S.KANEKI | 03JUL89 |
| CHK | J.TANIGAWA | 03JUL89 |
| APVD | S.KIKUCHI | 03JUL89 |

PRODUCT SPEC 製品規格

APPLICATION SPEC 取付適用規格

WEIGHT

MATERIAL 材料 AS SHOWN 図中参照

FINISH 仕上 AS SHOWN 図中参照

SCALE 尺度 10:1

SHEET 1 OF 1

REV P2

CUSTOMER DRAWING

NAME 名称 1.25 F-P コネクタ (基板対基板接続用)
 2列仕様 リセ ヘッダー アッセンブリ (V)
 サーフエスマウント タイプ 基板位置決め用ボス付
 1.25 F-P CONNECTOR (B-TO-B) DOUBLE ROW REC HDR ASSY (V) SMT TYPE WITH BOSS

SIZE CAGE CODE DRAWING NO RESTRICTED TO
 A3 00779 C-174639