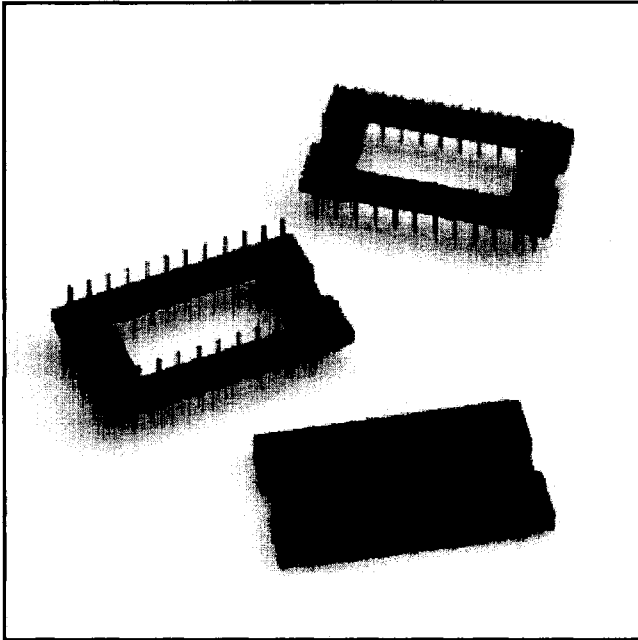


.100" × .600" DIP

24 Position



- Fits standard IC sockets
- Strong legs, less susceptible to bending or breaking
- Gold or tin lead plating options
- Round or rectangular contact leg options
- Low profile

Date Issued: February 19, 1999

TS-0619-04
Sheet 1 of 2

102

Physical

Insulation

Material: Glass Filled Polyester (PBT)
Flammability: UL94V-0
Color: Gray

Contact

Material: Copper Alloy
Plating
Underplate: 100 μ " [2.54 μ m] Nickel — QQ-N-290, Class 2
U-Slot & Solder Tails: 30 μ " [0.76 μ m] Gold — MIL-G-45204, Type II, Grade C or
200 μ " [0.76 μ m] 90/10 Tin Lead — MIL-P-81728

Wire Accomodation: 26 & 28 AWG Solid or Stranded

Marking: 3M Logo, Part Identification and Contact Position Numbers

Electrical

Current Rating: 1 A
Insulation Resistance: $> 1 \times 10^9 \Omega$ at 500 VDC
Withstanding Voltage: 1000 Vrms at Sea Level

Environmental

Temperature Rating: -55°C to $+105^\circ\text{C}$

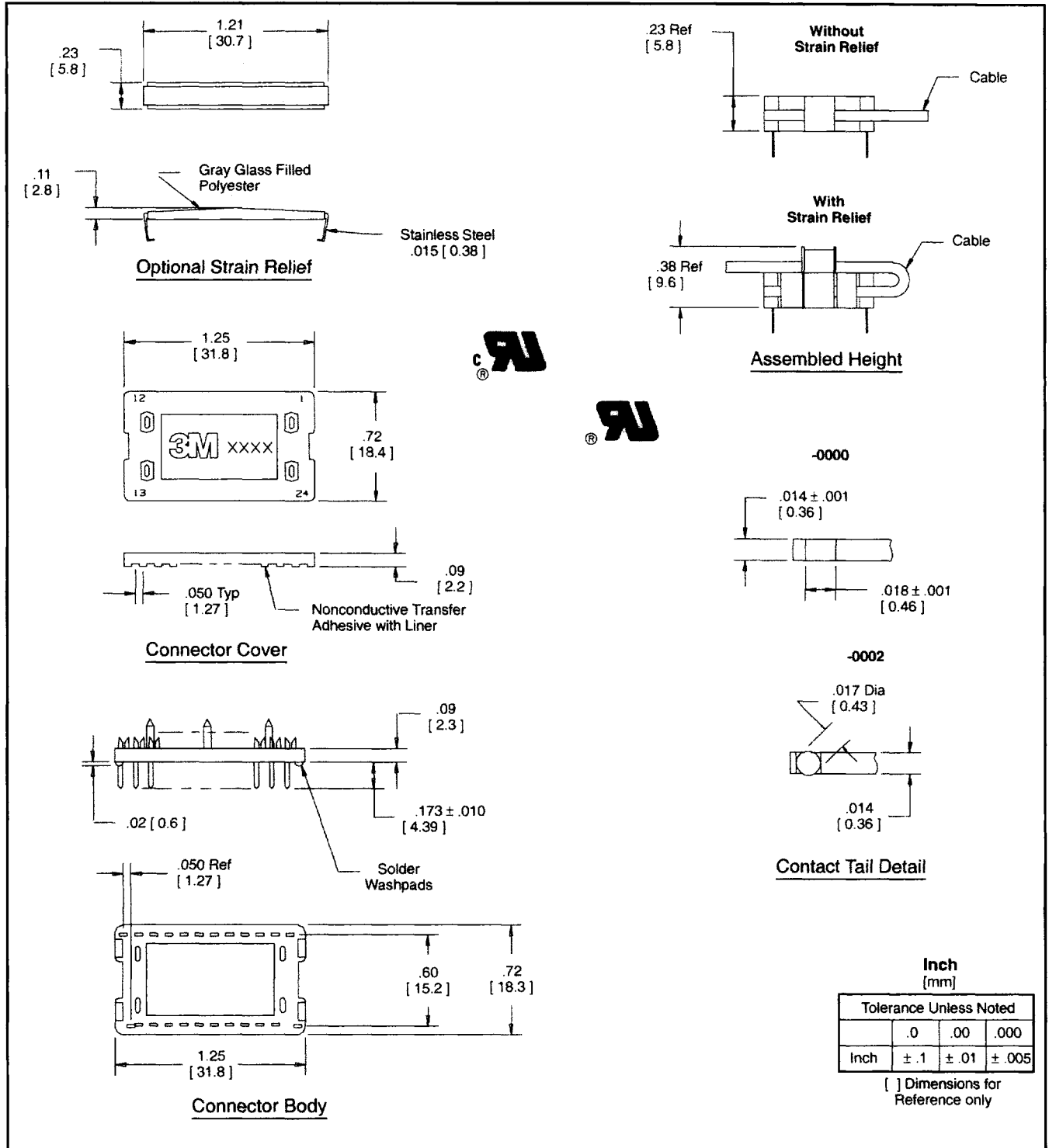
UL File No.: E68080

3M Electronic Products Division

6801 River Place Blvd.
Austin, TX 78726-9000

For technical, sales or ordering information call
800-225-5373

.100" x .600" DIP 24 Position



Ordering Information

Connector

3M Part Number	Contact Type	Contact Plating
3460-0000	Rect	Gold
3460-0000T	Rect	Tin Lead
3460-0002	Round	Gold

Strain Relief
(Order Separately)
3448-25