

2TW101 SERIES
CHART 1

M

DRAWING
NUMBER

X 2

ISSUE
3

REVISIONS

A C059236
J A P
27 MAR 86

B C062939
TSK
24 FEB 88

RELEASE NO. PR-12333

FO-52851-A

WJM 2 DEC 83

DRAWN

CHECK

WJM 2 DEC 83

WJM 2 DEC 83

MICRO SWITCH

FREEPORT, ILLINOIS U.S.A.
A DIVISION OF HONEYWELL

FED. MFG. CODE 91929

SWITCH-TOGGLE

CATALOG LISTING
2TW101 SERIES

CHART 1

CATALOG
LISTING

CIRCUIT MADE
WITH TOGGLE LEVER IN

TAB SIDE (2-1,5-4)	CENTER	OPPOSITE TAB (2-3,5-6)
--------------------------	--------	------------------------------

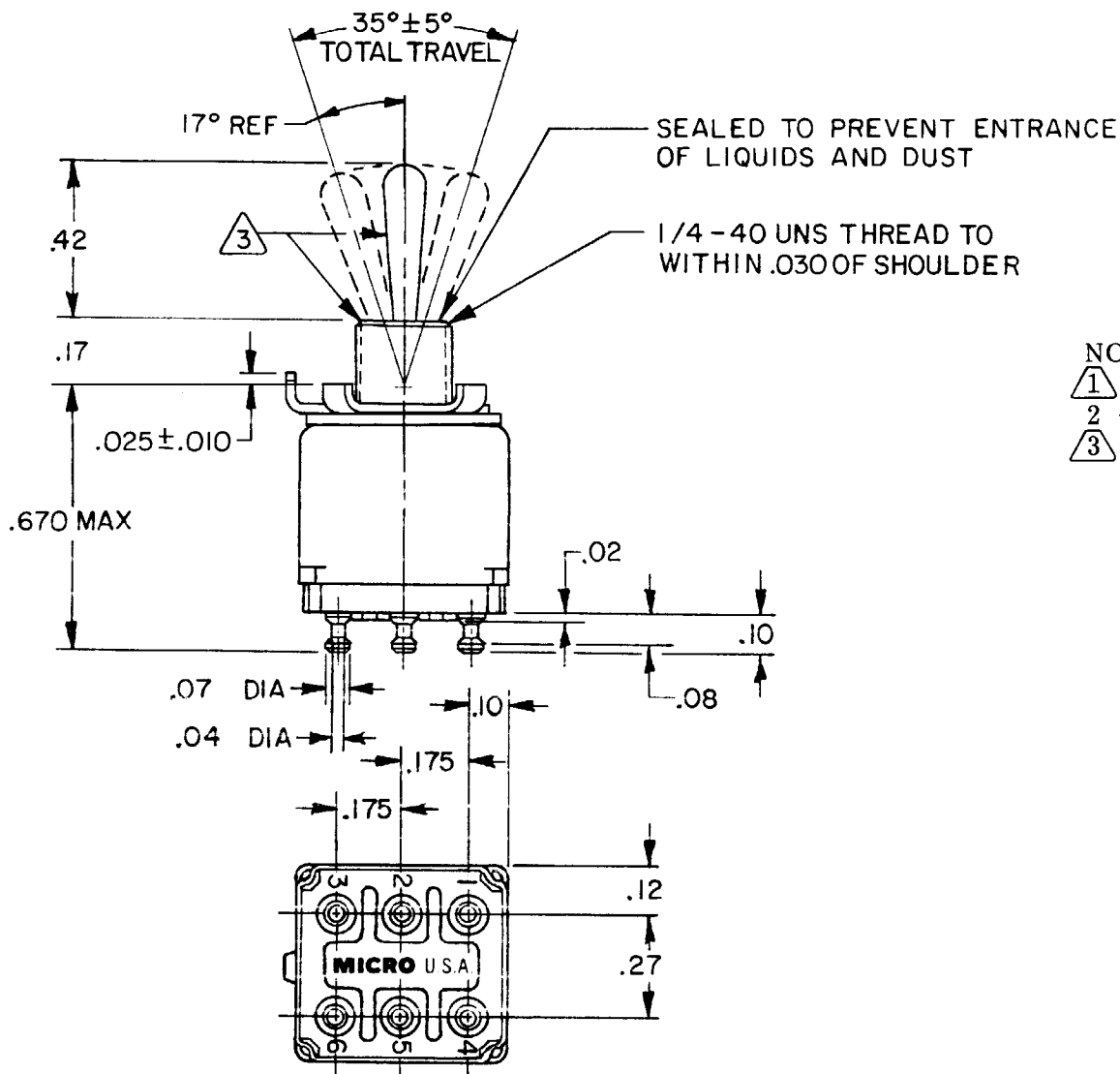
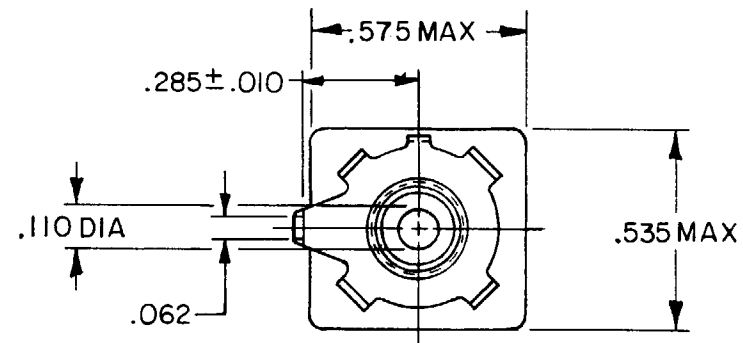
ELECTRICAL RATING

THIS DRAWING COVERS A PROPRIETARY ITEM AND IS THE PROPERTY OF MICRO SWITCH. A DIVISION OF HONEYWELL. THIS DRAWING IS NOT TO BE COPIED OR USED WITHOUT THE APPROVAL OF MICRO SWITCH.

2TW101-1	ON	OFF	ON
2TW101-2	OFF	NONE	ON
2TW101-3	ON	NONE	ON
2TW101-21	NONE	OFF	ON
2TW101-31	NONE	ON	ON
2TW101-4	MOM OFF	NONE	ON
2TW101-5	MOM ON	OFF	ON
2TW101-6	MOM ON	NONE	OFF
2TW101-7	MOM ON	OFF	MOM ON
2TW101-8	MOM ON	NONE	ON
2TW101-51	NONE	ON	MOM ON
2TW101-61	MOM ON	OFF	NONE

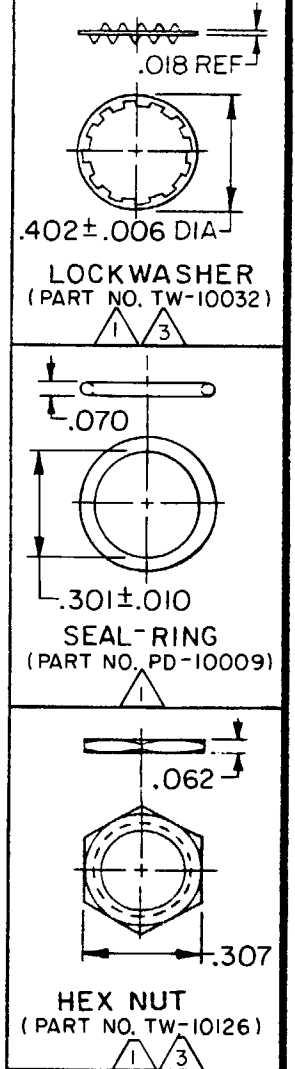
5A-125 VAC

5A-125 VAC



NOTES

- ① FURNISHED UNASSEMBLED
- ② - TERMINALS ARE COATED FOR SOLDERING
- ③ MATTE FINISH



SCALE 2:1

DO NOT SCALE PRINT

UNLESS OTHERWISE NOTED
DIMENSIONS ARE IN INCHES

TOLERANCES ARE:

ONE PLACE (.0)	± .030
TWO PLACE (.00)	± .015
THREE PLACE (.000)	± .005
ANGLES	± .005

WEIGHT .020 LB MAX