

**MICRO SWITCH**  
a Honeywell Division

FED. NFG. CODE 91929

**SWITCH-TOGGLE  
(MAGNETIC HOLD-IN)**

CATALOG LISTING  
**2ET22-T2-B**

WARNING - THIS PRODUCT IS SUBJECT TO THE U.S. INTERNATIONAL TRAFFIC IN ARMS REGULATIONS (ITAR), AND THE EXPORT CONTROL LAWS OF THE UNITED STATES. TRANSFER OF TECHNICAL DATA PERTAINING TO THIS PRODUCT BY ANY MEANS TO A FOREIGN PERSON PER ITAR DEFINITIONS, WHETHER IN THE UNITED STATES OR ABROAD, WITHOUT A PRIOR EXPORT LICENSE OR OTHER APPROVAL FROM THE U.S. DEPARTMENT OF STATE, IS PROHIBITED.

CATALOG LISTING  
**2ET22-T2-B**

PAGE 1 OF 1

ISSUE 6

REVISIONS

A 0003582 TRF 10 MAR 04

CHECK

10 MAR 04

CHECK

MDM

CHECK

10 MAR 04

CHECK

TRF

10 MAR 04

RASTER

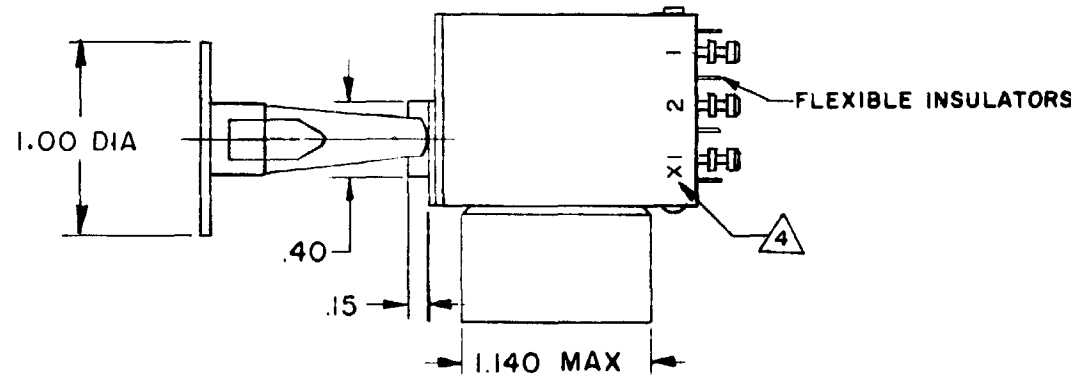
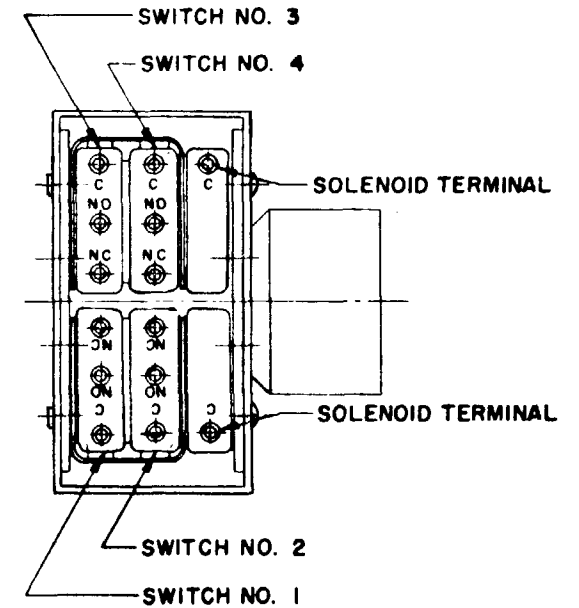
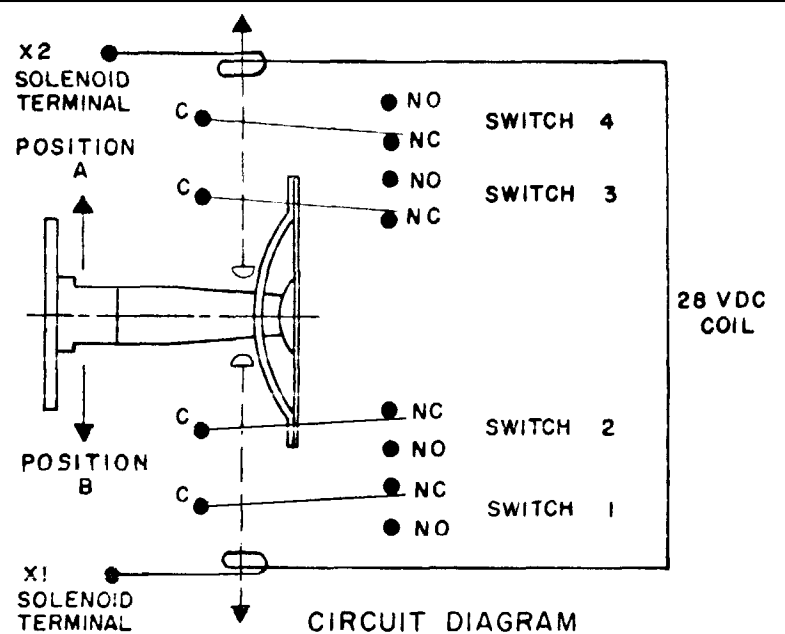
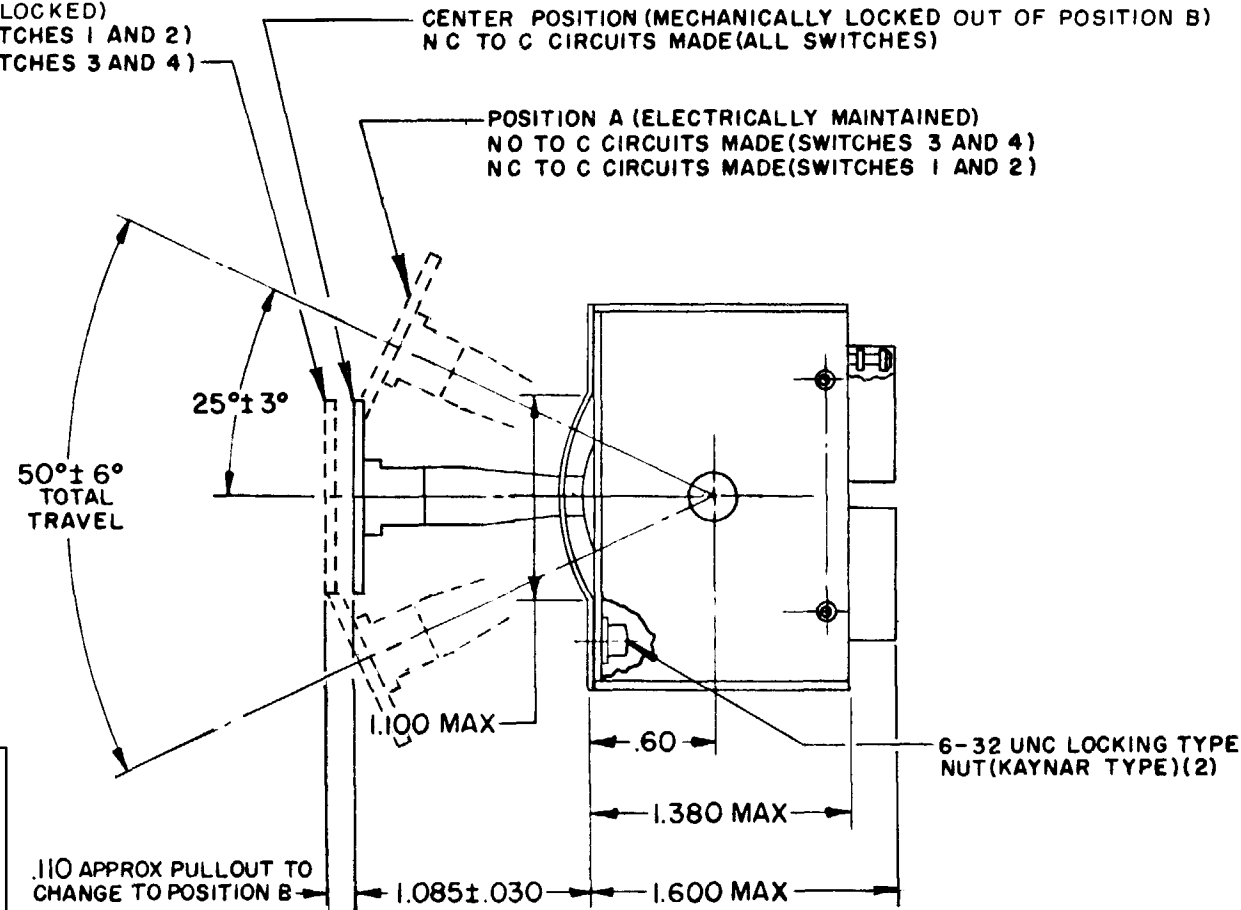
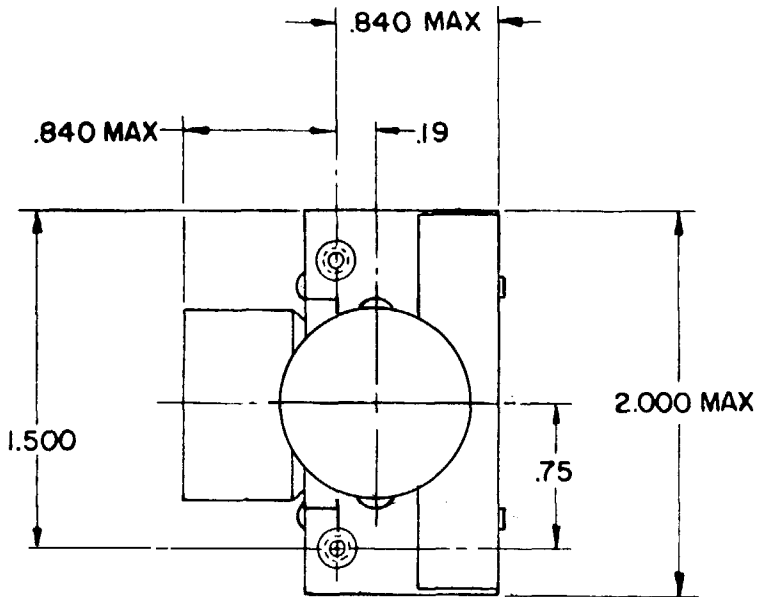
REPLACES X42324-ET

RELEASE NO. PR-1069-T

POSITION B (MECHANICALLY LOCKED)  
NO TO C CIRCUITS MADE (SWITCHES 1 AND 2)  
NC TO C CIRCUITS MADE (SWITCHES 3 AND 4)

CENTER POSITION (MECHANICALLY LOCKED OUT OF POSITION B)  
NC TO C CIRCUITS MADE (ALL SWITCHES)

POSITION A (ELECTRICALLY MAINTAINED)  
NO TO C CIRCUITS MADE (SWITCHES 3 AND 4)  
NC TO C CIRCUITS MADE (SWITCHES 1 AND 2)

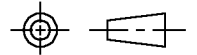


FLEXIBLE INSULATORS

6-32 UNC LOCKING TYPE NUT (KAYNAR TYPE) (2)

THIS DRAWING COVERS A PROPRIETARY ITEM AND IS THE PROPERTY OF MICRO SWITCH, A DIVISION OF HONEYWELL. THIS DRAWING IS NOT TO BE COPIED OR USED WITHOUT THE APPROVAL OF MICRO SWITCH

THIRD ANGLE PROJECTION



CHARACTERISTICS	
SOLENOID CIRCUIT AT 20° C	
STEADY STATE LIMITS	20-29 VDC
OPERATING VOLTAGE	10-30 VDC
DROPOUT VOLTAGE	0-10 VDC
COIL RESISTANCE	180 OHMS MIN
MECHANICAL DATA	
OPERATING FORCE	4 LB MAX
OVERRIDE FORCE	12 OZ MIN AT 24 VDC

ELECTRICAL DATA	
CONTACT ARRANGEMENT S P D T (4)	
250 VAC	5 AMP
30 VOLTS DC RATING	
INDUCTIVE	SEA LEVEL 3 AMP
	50,000 FT 2.5 AMP
RESISTIVE	SEA LEVEL 5 AMP
	50,000 FT 5 AMP

SCALE FULL	
DO NOT SCALE PRINT	
UNLESS OTHERWISE SPECIFIED TOLERANCES ARE	
ONE PLACE	(.0) ±.030
TWO PLACE	(.00) ±.015
THREE PLACE	(.000) ±.005
ANGLES	±
WEIGHT	6.0 OZ MAX

- NOTE -
- 1 - UNIT INCLUDES "SM" TYPE BASIC SWITCHES (4)
  - 2 - SWITCHES DO NOT NECESSARILY OPERATE SIMULTANEOUSLY
  - 3 - TERMINALS ARE PLATED FOR SOLDERING
  - 4 - BASIC SWITCH IDENTIFICATION METAL STAMPED ON END PLATES