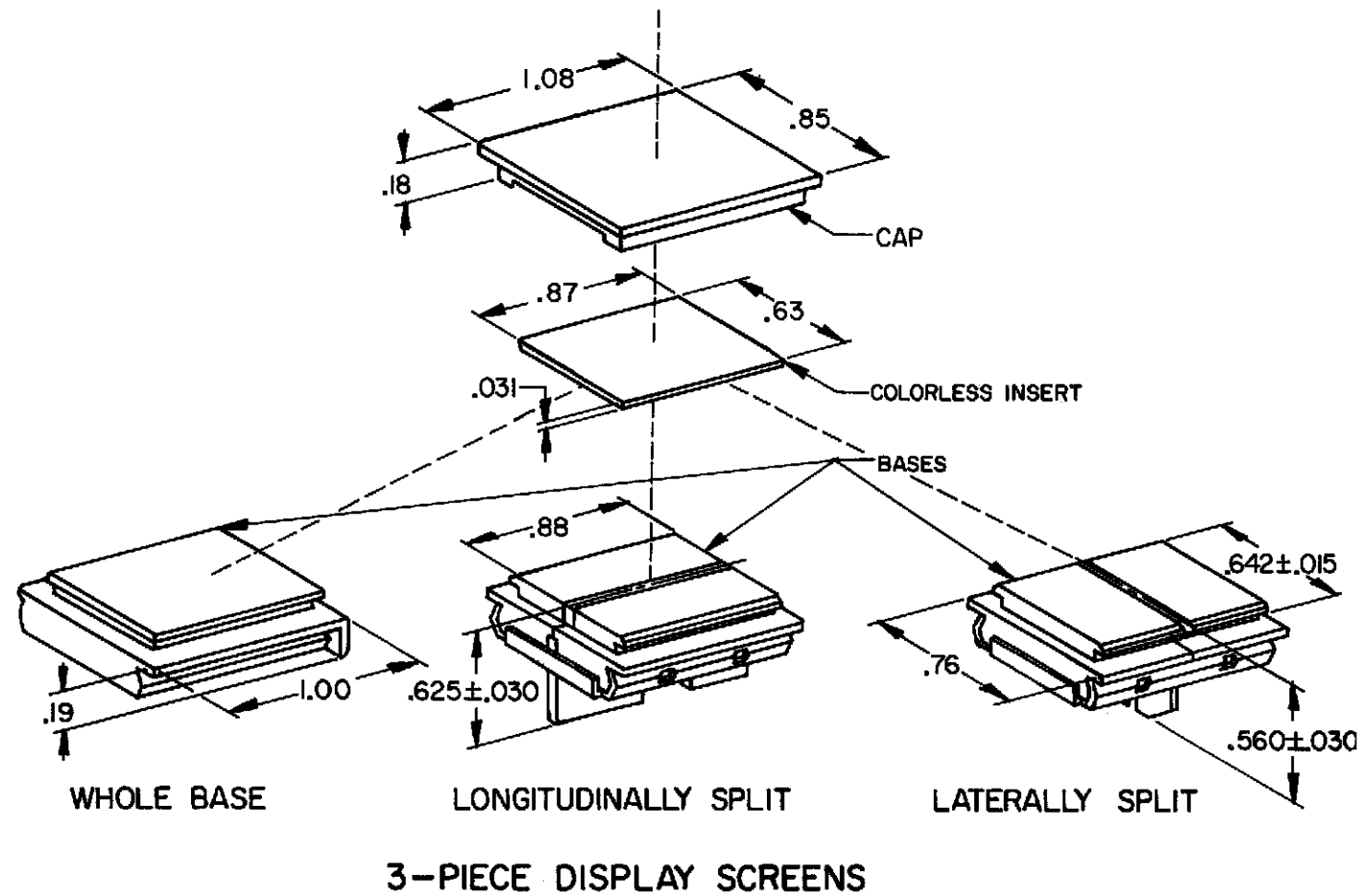


COLORS		CATALOG LISTINGS		
		3-PIECE DISPLAY SCREEN		
CAP	BASE	WHOLE BASE	LONGITU-DINALLY	LATER-ALLY
RED	RED	2A66		
YELLOW	YELLOW	Ⓣ		
GREEN	GREEN	2A68		
BLUE	BLUE	Ⓣ		
COLORLESS	WHITE	2A70		
COLORLESS	WHITE	2A242		
COLORLESS	RED & RED		2A51	Ⓣ
COLORLESS	RED & YELLOW		2A52	Ⓣ
COLORLESS	RED & GREEN		2A53	Ⓣ
COLORLESS	RED & BLUE		Ⓣ	
COLORLESS	RED & WHITE		2A55	Ⓣ
COLORLESS	YELLOW & GREEN		2A56	Ⓣ
COLORLESS	YELLOW & BLUE		Ⓣ	
COLORLESS	YELLOW & WHITE		2A58	2A43
COLORLESS	YELLOW & YELLOW		2A59	Ⓣ
COLORLESS	GREEN & BLUE		Ⓣ	Ⓣ
COLORLESS	GREEN & WHITE		2A61	2A46
COLORLESS	GREEN & GREEN		2A62	2A47
COLORLESS	BLUE & WHITE		Ⓣ	Ⓣ
COLORLESS	BLUE & BLUE		Ⓣ	
COLORLESS	WHITE & WHITE		2A65	2A50
COLORLESS	AMBER & AMBER		Ⓣ	
COLORLESS	WHITE & AMBER		Ⓣ	
COLORLESS	GREEN & WHITE		2A209	
COLORLESS	AMBER & WHITE		2A7093	Ⓣ
COLORLESS	WHITE & WHITE		Ⓣ	
COLORLESS	RED	Ⓣ		
COLORLESS	RED & GREEN		2A259	
COLORLESS	GREEN	2A248		
COLORLESS	GREEN & RED			Ⓣ
COLORLESS	RED & GREEN			2A38-L
COLORLESS	RED & RED		2A51-L	



3-PIECE DISPLAY SCREENS

THIRD ANGLE PROJECTION

SCALE FULL

DO NOT SCALE PRINT

UNLESS OTHERWISE SPECIFIED TOLERANCES ARE

ONE PLACE (.0) ± .030

TWO PLACE (.00) ± .015

THREE PLACE (.000) ± .005

ANGLES ±

WEIGHT

CATALOG LISTING
2A SERIES CHART 1
PAGE 1 OF 2

ISSUE **M** 33

REPLACES PR-4572

RELEASE NO. 18FEB10

CHECK CMH 18AUG09

CHECK CMH 8 AUG 96

CHECK MAM 8 AUG 96

CHECK CMH 7 AUG 96

REVISIONS

A	PR-22292	KDR	7 AUG 96
B	C093124	GJW	14 SEP 98
C	C093789	DLT	22 OCT 98
D	CO 95777	CO	95777
E	201724	GJW	14 NOV 00
F	203864	CSL	5 SEP 01
G	0015825	BM	28 SEP 05
H	0055520	SSK	18 AUG 09
J	0057014	PRS	29 SEP 09
K	0061584	SJK	18 FEB 10

RASTER DRAWN

MICRO SWITCH
 FREEPORT, ILLINOIS, U.S.A.
 A DIVISION OF HONEYWELL
 FED. MFG. CODE 91929

DISPLAY SCREENS

CATALOG LISTING
2A SERIES CHART 1

THIS DRAWING COVERS A PROPRIETARY ITEM AND IS THE PROPERTY OF MICRO SWITCH, A DIVISION OF HONEYWELL. THIS DRAWING IS NOT TO BE COPIED OR USED WITHOUT THE APPROVAL OF MICRO SWITCH.

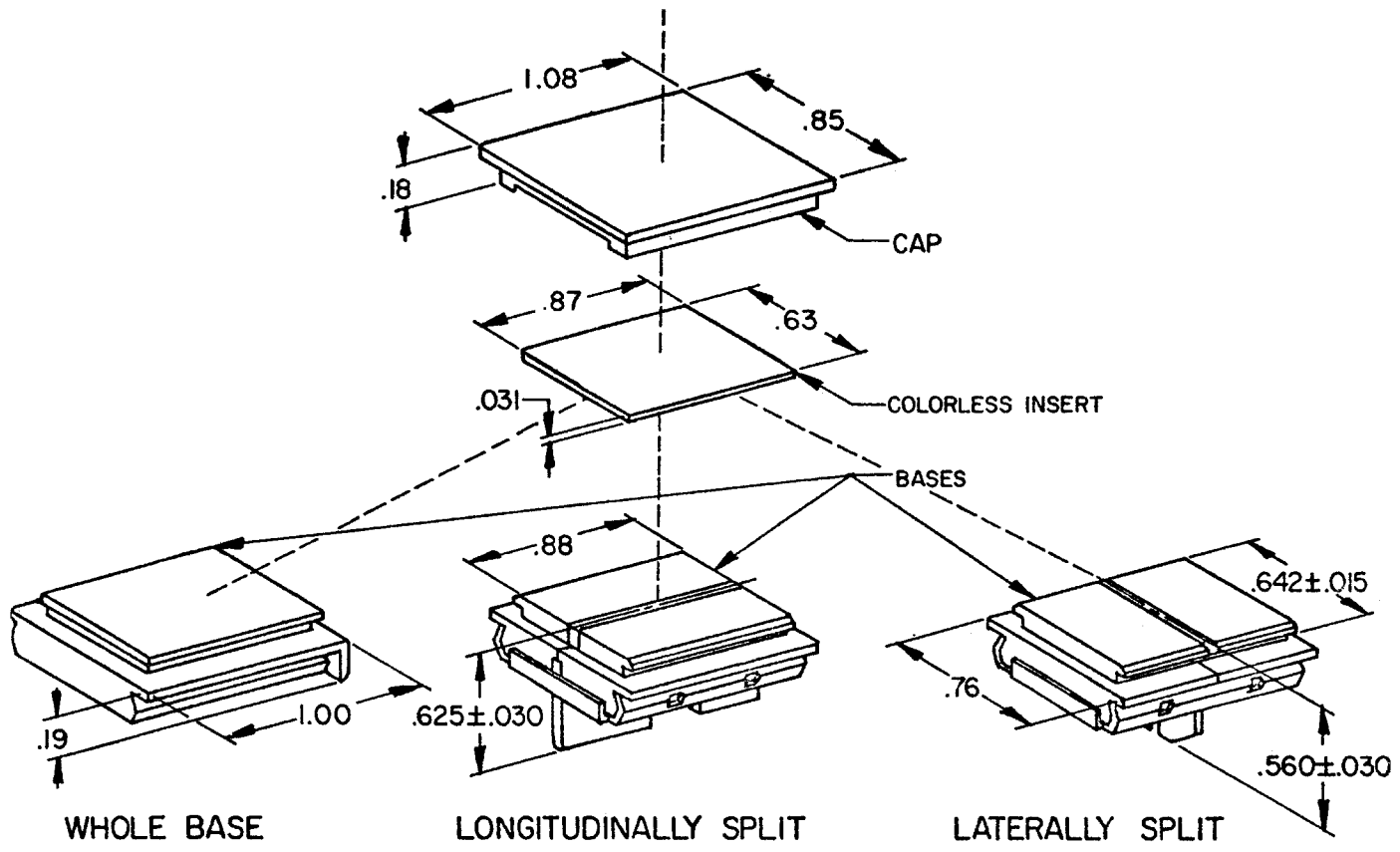
CATALOG LISTING
2A SERIES CHART 1
 PAGE 2 OF 2

ISSUE
M
 33

REVISIONS

A	CO-82436	JALA	5 FEB 96
B	CO-92836	C S L	17 AUG 98
C	CO93789	D L T	22 OCT 98
D	CO-95777	J J A	8 DEC 99
E	201724	G J W	14 NOV 00
F	203864	C S L	5 SEP 01
G	0015825	BM	28 SEP 05
H	0055520	SSK	18 AUG 09
J	0057014	PRS	29 SEP 09
K	0061584	SJK	18 FEB 10

REPLACES
 18FEB10
 18FEB10
 18AUG09
 18AUG09
 10 OCT 80
 9 OCT 80



3-PIECE DISPLAY SCREENS

COLORS		CATALOG LISTINGS		
		3 - PIECE DISPLAY SCREEN		
CAP	BASE	WHOLE BASE	LONGITU-DINALLY	LATER-ALLY
COLORLESS	BLUE & WHITE		(E)	
SMOKEY GREY	WHITE	(A)		
SMOKEY GREY	WHITE & WHITE		(A)	
NONE	WHITE & WHITE			2A160
COLORLESS	GREEN & WHITE			2A741
COLORLESS	WHITE & AMBER		(A)	
COLORLESS	RED	(B)		
COLORLESS	GREEN & GREEN			(A)
SMOKEY GREY	RED & RED		(A)	
COLORLESS	YELLOW & WHITE		(A)	
WHITE TRANSLUCENT	RED & BLUE			(A)
SMOKEY GREY	WHITE	(A)		
COLORLESS	AMBER & RED			(A)
NONE	AMBER & RED		(A)	
NONE	AMBER		(A)	
NONE	RED & WHITE		(A)	
NONE	AMBER & WHITE		(A)	
NONE	BLUE & WHITE			(A)
COLORLESS	YELLOW & GREEN			(A)
RED	WHITE	(A)		
GREEN	WHITE	(A)		
COLORLESS	CLEAR & RED		(A)	
COLORLESS	CLEAR & BLUE		(A)	
COLORLESS	CLEAR & YELLOW		(A)	
COLORLESS	CLEAR & GREEN		(A)	
COLORLESS	CLEAR & AMBER		(A)	

THIRD ANGLE PROJECTION

SCALE FULL

DO NOT SCALE PRINT

TOLERANCES

APPLY TO DESIGN UNITS. CONVERSIONS ARE ONLY FOR REFERENCE. UNLESS NOTED, TOLERANCES ARE ±

DIM.	TOL.	DIM.	TOL.
mm	mm/10	in	mm/in
NO PLACES	X	1/04	
ONE PLACE	X,X	0.4/016	X,X 0.8/03
TWO PLACES	X,XX	0.15/006	X,XX 0.38/015
THREE PLACES	X,XXX		X,XXX 0.13/005

DESIGN UNITS SI METRIC US CUSTOMARY

WEIGHT

RASTER