

SWITCH - TOGGLE

2TL149 SERIES CHART 1

CATALOG LISTING

THIS DRAWING COVERS A PROPRIETARY ITEM AND IS THE PROPERTY OF MICRO SWITCH. A DIVISION OF HONEYWELL. THIS DRAWING IS NOT TO BE COPIED OR USED WITHOUT THE APPROVAL OF MICRO SWITCH

CATALOG LISTING 2TL149 SERIES CHART 1

PAGE 1 OF 1

ISSUE 5

REVISIONS

A 0003048

CMH 09 FEB 04

CHECK MDM 09 FEB 04

CHECK MDM 09 FEB 04

CHECK SAV 4 OCT 02

CHECK SAV 4 OCT 02

CHECK SAV 4 OCT 02

CHECK SAV 4 OCT 02

CHECK SAV 4 OCT 02

CHECK SAV 4 OCT 02

CHECK SAV 4 OCT 02

CHECK SAV 4 OCT 02

CHECK SAV 4 OCT 02

CHECK SAV 4 OCT 02

CHECK SAV 4 OCT 02

CHECK SAV 4 OCT 02

REPLACES -

RELEASE NO. 206588

CHECK

CHECK

CHECK

CHECK

CHECK

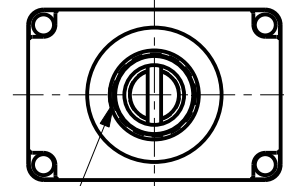
CHECK

CHECK

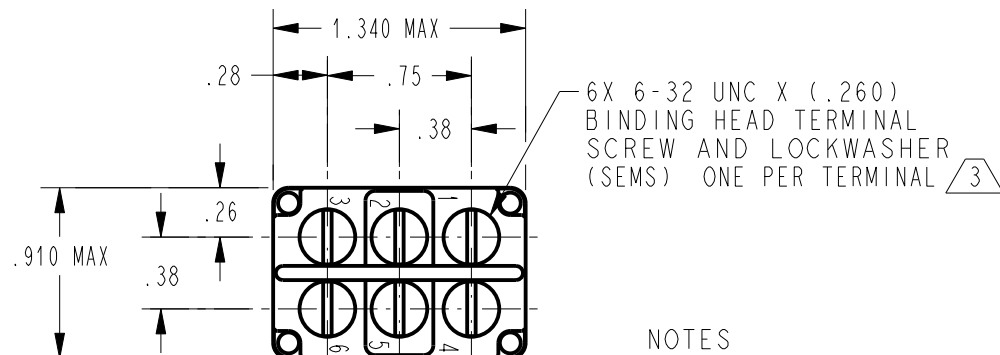
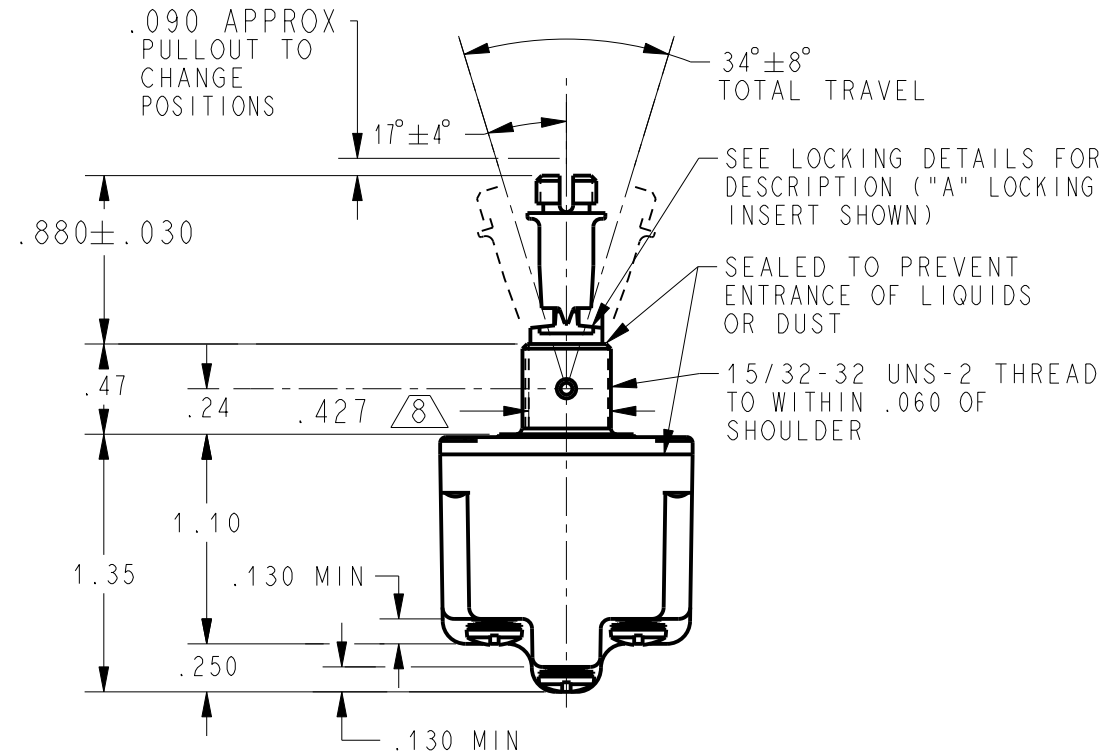
CHECK

CHECK

CHECK



.076±.008 WIDE KEYWAY



CATALOG LISTING	AVAILABLE LOCKING COMBINATIONS FOR CONFIGURATION SEE LETTERED DETAILS	CIRCUIT MADE WITH TOGGLE LEVER IN			CURRENT CAPACITY (AMPS)								
		KEYWAY SIDE (1-2, 4-5)	CENTER (1-2, 4-5)	OPPOSITE KEYWAY (2-3, 5-6)	RESISTIVE LOAD			LAMP LOAD		IND. LOAD			
					DC VOLTS	AC VOLTS		28 VDC	125 VAC	28 VDC	125 VAC		
2TL149-1	A,B,D,E,F,G,H,J,K,L,M,N,P	ON	OFF	ON	20	.75	.5	15	6	7	4	15	15
2TL149-2	D,F,G	OFF	NONE	ON									
2TL149-3	D,F,G	ON	NONE	ON									
2TL149-21	E,F,K,M	NONE	OFF	ON									
2TL149-31	E,F,K,M	NONE	ON	ON									
2TL149-4	F	MOM OFF	NONE	ON									
2TL149-5	E,F,K,L,M,N	MOM ON	OFF	ON									
2TL149-6	F	MOM ON	NONE	OFF	18	.75	.5	11	6	5	2	10	8
2TL149-7	E,L,N	MOM ON	OFF	MOM ON									
2TL149-8	F	MOM ON	NONE	ON									
2TL149-51	E	NONE	ON	MOM ON									
2TL149-61	E	MOM ON	OFF	NONE									

"A" LOCKED IN THREE POSITIONS	"B" LOCKED IN CENTER AND EXTREME POS. (KEYWAY SIDE)	"D" LOCKED OUT OF CENTER POSITION	"E" LOCKED IN CENTER POSITION	"F" LOCKED IN EXTREME POS. (OPP. KEYWAY)	"G" LOCKED IN EXTREME POS. (KEYWAY SIDE)
"H" LOCKED OUT OF CENTER AND EXTREME POS. (KEYWAY SIDE)	"J" LOCKED OUT OF CENTER AND EXTREME POS. (OPP. KEYWAY)	"K" LOCKED IN CENTER AND EXTREME POS. (OPP. KEYWAY)	"L" LOCKED OUT OF EXTREME POS. (KEYWAY SIDE)	"M" LOCKED OUT OF AND INTO EXTREME POS. (OPP. KEYWAY)	"N" LOCKED OUT OF EXTREME POS. (OPP. KEYWAY)
"P" LOCKED OUT OF AND INTO EXTREME POS. (KEYWAY SIDE)	LOCKWASHER		LOCKING RING		2X HEX NUT

- NOTES
- SWITCHES ARE CAPABLE OF WITHSTANDING A TEMPERATURE OF 160°F CONTINUOUSLY AT FULL RATED LOAD
 - CIRCUIT DESIGNATION, AND MICRO SWITCH CATALOG LISTING MARKED ON SIDE OF SWITCH
 - FURNISHED UNASSEMBLED
 - FOR TERMINAL COVER SEE MICRO SWITCH CATALOG LISTING 5PA8
 - KEYWAY SHOWN ON LEFT SIDE
 - SUFFIX LETTER MUST BE ADDED FOR DESIRED TYPE OF TOGGLE LOCKING. SEE CHART FOR AVAILABLE LOCKING COMBINATIONS
 - APPLIES ONLY TO "ON" AND "MOMENTARY ON" POSITIONS
 - FROM BOTTOM OF KEYWAY TO MAJOR Ø OF 15/32 THREAD

THIRD ANGLE PROJECTION

SCALE FULL

DO NOT SCALE PRINT

UNLESS OTHERWISE SPECIFIED TOLERANCES ARE

ONE PLACE (.0)	±.030
TWO PLACE (.00)	±.015
THREE PLACE (.000)	±.005
ANGLES	±

WEIGHT .15 LB APPROX