

# ZENER DIODE

TOSHIBA (DISCRETE/OPTO)

39 DE 9097250 0002384 7

## 1Z6.2~1Z30

6.2V~30V Voltage Tolerance Value: ±10%  
1W epoxy seal type

MAXIMUM RATINGS (Ta=25°C)

CHARACTERISTIC	SYMBOL	RATING	UNIT
Allowable Power Dissipation	P	1	W
Junction Temperature	T <sub>j</sub>	150	°C
Storage Temperature	T <sub>stg</sub>	-40~150	°C

ELECTRICAL CHARACTERISTICS (Ta=25°C)

TYPE	ZENER VOLTAGE V <sub>z</sub>		CURRENT I <sub>z</sub> mA
	TYPICAL		
	V		
1Z6.2	6.2	10	
1Z6.8	6.8	10	
1Z7.5	7.5	10	
1Z8.2	8.2	10	
1Z9.1	9.1	10	
1Z10	10	10	
1Z11	11	10	
1Z12	12	10	
1Z13	13	10	
1Z15	15	10	
1Z16	16	10	
1Z18	18	10	
1Z20	20	10	
1Z22	22	10	
1Z24	24	10	
1Z27	27	10	
1Z30	30	10	

• The type specified with V<sub>z</sub>: ±5% is also available.

## 1S220~1S261

4.5V~150V Voltage Tolerance Value: ±10%  
1W metal seal type

MAXIMUM RATINGS (Ta=25°C)

CHARACTERISTIC	SYMBOL	RATING	UNIT
Allowable Power Dissipation	P	1	W
Junction Temperature	T <sub>j</sub>	150	°C
Storage Temperature	T <sub>stg</sub>	-55~150	°C

ELECTRICAL CHARACTERISTICS (Ta=25°C)

TYPE	ZENER VOLTAGE V <sub>z</sub>		CURRENT I <sub>z</sub> mA
	TYPICAL		
	V		
1S220	4.5	50	
1S221	5.5	50	
1S222	6.5	35	
1S223	7.5	35	
1S224	8.5	35	
1S225	9.5	35	
1S226	11	25	
1S227	12	25	
1S228	13	25	
1S229	14	25	
1S230	15	25	
1S231	16	17	
1S232	17	17	
1S233	18	17	
1S234	19	17	
1S235	20	17	
1S236	22	12	
1S237	24	12	
1S238	25	12	
1S239	27	12	
1S240	30	12	
1S241	33	10	
1S242	36	10	
1S243	39	10	
1S244	43	6	
1S245	45	6	
1S246	47	6	
1S247	50	6	
1S248	52	6	
1S249	56	6	
1S250	62	4	
1S251	68	4	
1S252	75	4	
1S253	82	3	
1S254	91	3	
1S255	100	3	
1S256	105	3	
1S257	110	3	
1S258	120	3	
1S259	130	3	
1S260	140	3	
1S261	150	3	

## 1S262~1S303

4.5V~150V Voltage Tolerance Value: ±10%  
10W metal seal type

MAXIMUM RATINGS (Ta=25°C)

CHARACTERISTIC	SYMBOL	RATING	UNIT
Allowable Power Dissipation	P	10	W
Junction Temperature	T <sub>j</sub>	150	°C
Storage Temperature	T <sub>stg</sub>	-55~150	°C

(Note 1) Using the aluminum heat sink (100×100×2mm)

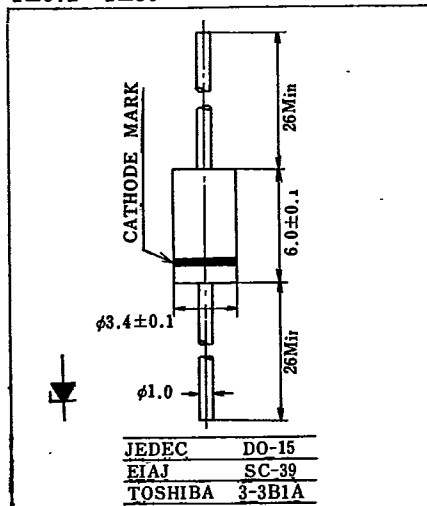
ELECTRICAL CHARACTERISTICS (Ta=25°C)

TYPE	ZENER VOLTAGE V <sub>z</sub>		CURRENT I <sub>z</sub> mA
	TYPICAL		
	V		
1S262	4.5	500	
1S263	5.5	500	
1S264	6.5	350	
1S265	7.5	350	
1S266	8.5	350	
1S267	9.5	350	
1S268	11	250	
1S269	12	250	
1S270	13	250	
1S271	14	250	
1S272	15	250	
1S273	16	170	
1S274	17	170	
1S275	18	170	
1S276	19	170	
1S277	20	170	
1S278	22	120	
1S279	24	120	
1S280	25	120	
1S281	27	120	
1S282	30	120	
1S283	33	100	
1S284	36	100	
1S285	39	100	
1S286	43	60	
1S287	45	60	
1S288	47	60	
1S289	50	60	
1S290	52	60	
1S291	56	60	
1S292	62	40	
1S293	68	40	
1S294	75	40	
1S295	82	30	
1S296	91	30	
1S297	100	30	
1S298	105	30	
1S299	110	30	
1S300	120	30	
1S301	130	30	
1S302	140	30	
1S303	150	30	

DIODES

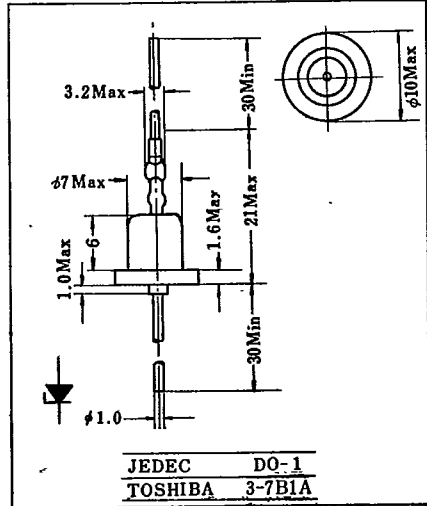
### 1Z6.2~1Z30

Unit in mm



### 1S220~1S261

Unit in mm



### 1S262~1S303

Unit in mm

