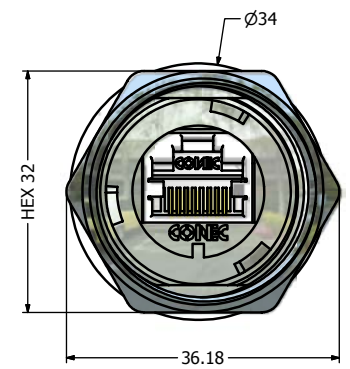
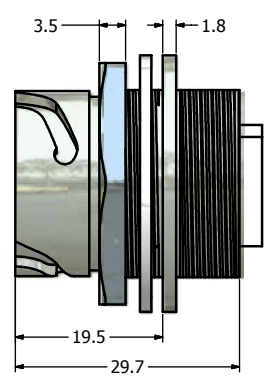
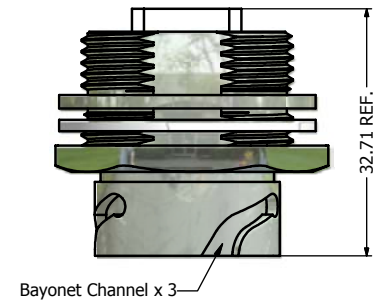
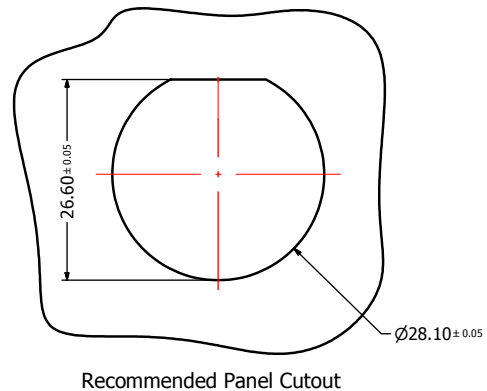
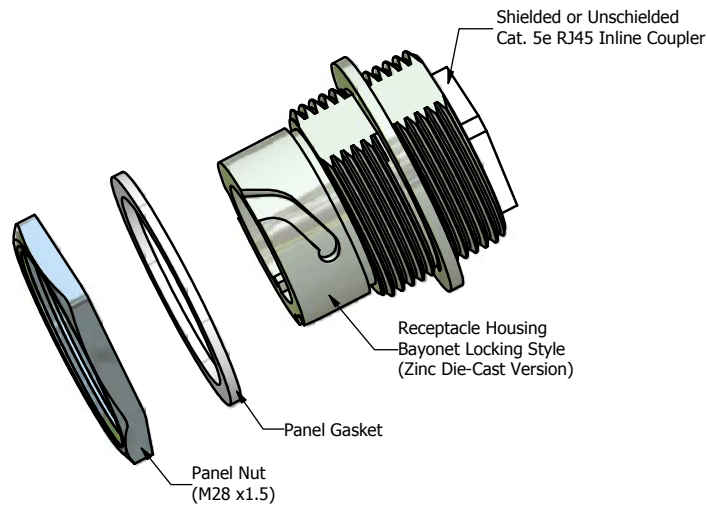


6 5 4 3 2 1



Directive 2002/95/EC
"RoHS"
Compliant

Notes:

- Electrical Specifications:
 - Meets EIA/TIA-568-B.2 Cat.5e Specification
 - Contact Resistance: 20mOhm max.
 - Insulation Resistance: 500MOhm min. @ 100 VDC
 - Current Rating: 1.2A max. at 25°C
 - Working Voltage: 100 VDC
 - DWV: 1000 VDC/60s Contact to Contact, 1500 VDC/60s Contact to Metal Shell
 - Operating Temperature: -40°C to +85°C
- Material and Finish:
 - Receptacle Housing: Zinc Die-Cast, Finish: Nickel Plated
 - Panel Nut: Brass, Finish: Nickel Plated
 - Panel Gasket: Silicone, Color: White
 - RJ45 Jack Metal Shell: Copper Alloy, Nickel Plated
 - RJ45 Jack Plastic Housing: Glass filled PBT UL94 V-0, Color: Black
 - RJ45 Jack Contacts: Phosphor Bronze, Finish: 50u" Gold min. over Nickel
- Connector can be front or rear mounted to a maximum panel thickness of 3.2mm.
- RoHS compliant
- IP67 rated when covered or fully mated with the appropriate mating connector

Description	Part Number
Zinc Die-Cast Version with Shielded RJ45 Inline Coupler	17-101754
Zinc Die-Cast Version with Unshielded RJ45 Inline Coupler	17-101764

THIS DRAWING MAY NOT BE COPIED, OR REPRODUCED IN ANY WAY AND MAY NOT BE PASSED ON TO A THIRD PARTY WITHOUT WRITTEN PERMISSION. OWNERSHIP AND COPYRIGHT OF CONEC CORPORATION. DOT NOT ALTER CAD DRAWING BY HAND	Customer:			Tolerance Unless otherwise specified			Scale: 1.5:1	Dim. in mm
	Name	Title	Approval Date	0 PLC ±0.50	1 PLC ±0.38		Autodesk Inventor Material: See Notes Title: Jack Receptacle Assembly Kit with Cat. 5e RJ45 Inline Coupler Zinc Die-Cast Version	Drawing No.: 17K1A144 Part No.: SEE P/N TABLE
				2 PLC ±0.25	3 PLC ±0.10			
				ANGLES ±3°				
				2009	Date	Name		
				Draw.	Dec. 07	Vincent Ke		
				Appd.	Dec. 07	J. Chaudry		
				Norm				
				D-old				
		a	original					
	Rev.	Changes	Date	Name				



6 5 4 3 2 1