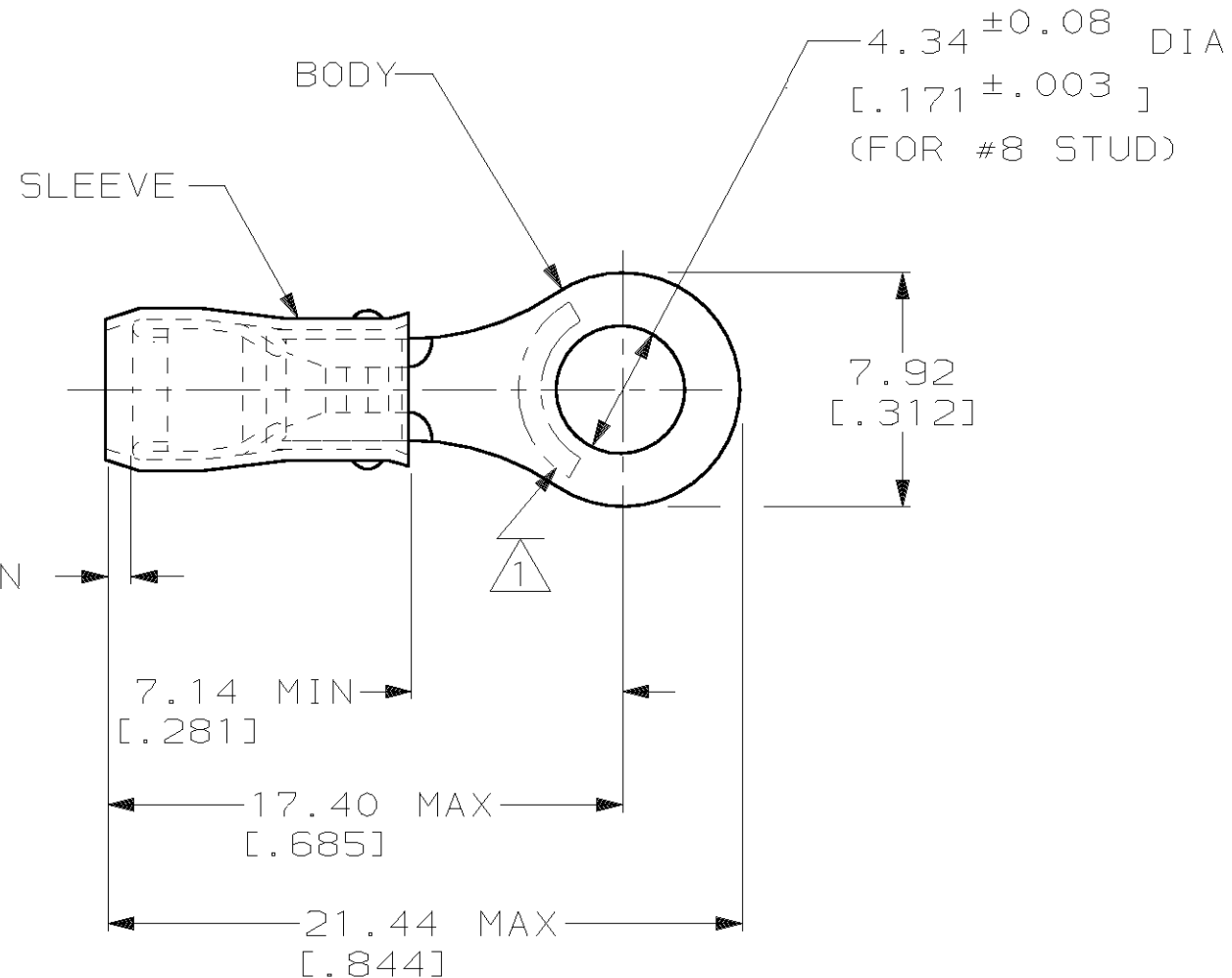


THIS DRAWING IS UNPUBLISHED. RELEASED FOR PUBLICATION, 19 .
 © COPYRIGHT 19 BY AMP INCORPORATED. ALL INTERNATIONAL RIGHTS RESERVED.

LOC G	DIST 14	P	F	REVISIONS				
				ZONE	LTR	DESCRIPTION	DATE	APPD
					Z	REV PER OG3A-0199-99	16FEB00	JR/TM

AMP WIRE RANGE	UL E13288 Listed	SR LR7189 Certified
22-16 AWG SOLID OR STRANDED	22-16 AWG SOLID OR STRANDED	22-16 AWG SOLID OR STRANDED



- ① STAMP AMP 22-18* APPROX AS SHOWN
 22-16 TERMINALS ARE STAMPED 22-18 IN
 ACCORDANCE WITH MILITARY SPEC MIL-T-7928
 COMMERCIAL WIRE RANGE IS 22-16
- 2 WIRE INSULATION DIA: 2.03 - 3.18
 [.080 - .125]
- 3 TONGUE MATERIAL THK: 0.79±0.05
 [.031±.002]

	100	LOOSE PIECE, BOX	6-320551-1
MS25036-149 CLASS 2	5000	ON TAPE, REEL	1-320551-1
MS25036-149 CLASS 1 & 2	1000	LOOSE PIECE	320551
MILITARY P/N AND CLASS	QUANTITY	PACKAGE TYPE	PART NO
DO NOT SCALE PRINT. UNLESS SPECIFIED DIMENSIONS IN mm [INCHES] TOLERANCES ON: 2 PLC DEC ± 0.20(.008) 3 PLC DEC ± - ANGLES ± -	DR 9/8/93 DK SCHRUM CHK 9/8/93 RE HERSEY APPD 9/8/93 ML ELLIS APPD 9/8/93 M BARNABA PRODUCT SPEC UL 486A APPLICATION SPEC NOT AVAILABLE WEIGHT -	AMP AMP Incorporated Harrisburg, PA 17105-3608 NAME TERMINAL, RING TONGUE, PIDG™, WIRE SIZE, 22-16 AWG SIZE B CAGE CODE 00779 DRAWING NO C-320551 SCALE NTS SHEET 1 OF 2	
COPPER PER ASTM B-152 SLEEVE, RED NYLON	FINISH TIN PLATE PER ASTM B545		

**AMP INCORPORATED
 CUSTOMER SERVICE SYSTEMS**

FOR ADDITIONAL PRODUCT INFORMATION OR COPIES OF DRAWINGS AND TECHNICAL DOCUMENTS	PRODUCT INFORMATION CENTER 1-800-522-6752
FOR APPLICATION TOOLING INFORMATION	TOOLING ASSISTANCE CENTER 1-800-722-1111
FOR ORDER ENTRY	1-800-526-5142

MAX RECOMMENDED OPERATING
TEMPERATURE:
105°C MAX

VOLTAGE RATING:
300 V MAX

CIRCULAR MIL AREA:
0.26-1.65mm² [509-3,260] CIR MILS
SOLID OR STRANDED

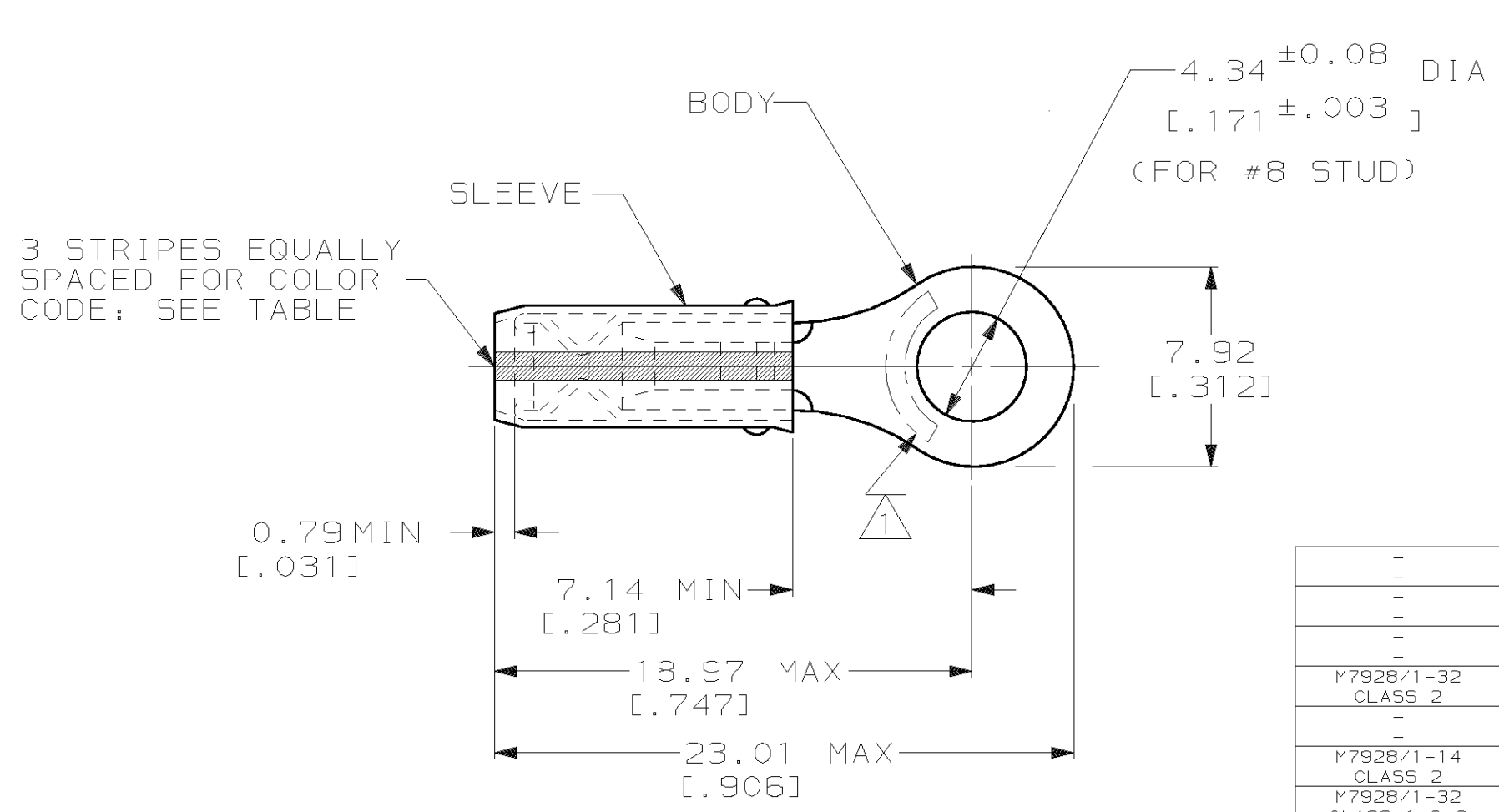
THIS DRAWING IS A CONTROLLED DOCUMENT FOR
AMP INCORPORATED. IT IS SUBJECT TO CHANGE
AND THE CONTROLLING ENGINEERING ORGANIZATION
SHOULD BE CONTACTED FOR THE LATEST REVISION.

THIS DRAWING IS UNPUBLISHED. RELEASED FOR PUBLICATION, 19 .
 © COPYRIGHT 19 BY AMP INCORPORATED. ALL INTERNATIONAL RIGHTS RESERVED.

LOC	DIST	P	F	REVISIONS				
G	14			ZONE	LTR	DESCRIPTION	DATE	APPD
					Z	REV PER 0G3A-0199-99	16FEB00	JR/TM

AMP
WIRE RANGE

SEE TABLE
STRANDED



- 1 STAMP AMP [] APPROX AS SHOWN
SEE TABLE BELOW
- 2 WIRE INSULATION DIA: 0.97 - 2.79 FOR 22 AWG
[.038 - .110]
1.17 - 2.79 FOR 20 AWG
[.046 - .110]
1.42 - 2.79 FOR 18 AWG
[.056 - .110]
- 3 TONGUE MATERIAL THK: 0.79±0.05
[.031±.002]

-	WHITE	18*	18	100	LOOSE PIECE, BOX	9-320551-1
-	RED	20*	20	100	LOOSE PIECE, BOX	8-320551-1
-	GREEN	22*	22	100	LOOSE PIECE, BOX	7-320551-1
M7928/1-32 CLASS 2	WHITE	18*	18	5000	ON TAPE, REEL	1-320551-8
-	RED	20*	20	5000	ON TAPE, REEL	1-320551-7
M7928/1-14 CLASS 2	GREEN	22*	22	5000	ON TAPE, REEL	1-320551-5
M7928/1-32 CLASS 1 & 2	WHITE	18*	18	1000	LOOSE PIECE	1-320551-4
M7928/1-23 CLASS 1 & 2	RED	20*	20	1000	LOOSE PIECE	1-320551-3
M7928/1-14 CLASS 1 & 2	GREEN	22*	22	1000	LOOSE PIECE	1-320551-2

AMP INCORPORATED
CUSTOMER SERVICE SYSTEMS

FOR ADDITIONAL PRODUCT INFORMATION OR COPIES OF DRAWINGS AND TECHNICAL DOCUMENTS: PRODUCT INFORMATION CENTER 1-800-522-6752

FOR APPLICATION: TOOLING ASSISTANCE CENTER 1-800-722-1111

TOOLING INFORMATION: 1-800-722-1111

FOR ORDER ENTRY: 1-800-526-5142

MAX RECOMMENDED OPERATING TEMPERATURE: 105°C MAX

VOLTAGE RATING: 300 V MAX

WIRE RANGE: 22 20 18
CIRC MIL AREA: 0.38mm² [754] 0.60mm² [1,186] 0.96mm² [1,900]

STRANDED

THIS DRAWING IS A CONTROLLED DOCUMENT FOR AMP INCORPORATED. IT IS SUBJECT TO CHANGE AND THE CONTROLLING ENGINEERING ORGANIZATION SHOULD BE CONTACTED FOR THE LATEST REVISION.

MILITARY P/N AND CLASS: -
STRIPE COLOR: -

DO NOT SCALE PRINT. UNLESS SPECIFIED DIMENSIONS IN mm [INCHES] TOLERANCES ON:
2 PLC DEC ± 0.20[.008]
3 PLC DEC ± -
ANGLES ± -

MATERIAL: COPPER PER ASTM B-152 SLEEVE, RED NYLON

FINISH: TIN PLATE PER ASTM B545

DR 9/8/93 DK SCHRUM
CHK 9/8/93 RE HERSEY
APPD 9/8/93 ML ELLIS
APPD 9/8/93 M BARNABA
PRODUCT SPEC -
APPLICATION SPEC NOT AVAILABLE
WEIGHT -

AMP AMP Incorporated
Harrisburg, PA 17105-3608

NAME: TERMINAL, RING TONGUE, I.R., PIDG™, WIRE SIZE, 22-16 AWG

SIZE: B CAGE CODE: 00779 DRAWING NO: C-320551
SCALE: NTS SHEET: 2 OF 2