

# Bench Top Ionizer Installation, Operation, and Maintenance

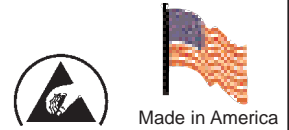


Figure 1. Bench Top Ionizer

## Description

This ionizing unit is a self-balancing bench top ionizer. The ionizer's patented\* Faraday Balance System assures perfect ion balance automatically. It offers greater efficiency and easier cleaning than conventional ionizers. The Bench Top Ionizer is designed to neutralize static electricity from insulators in localized work areas in assembly rooms, wave solder lines, laboratories, QC, test stations, packing and shipping areas and clean rooms.

Ionizers are useful in preventing electrostatic charge generation, ElectroStatic Discharge, ElectroStatic Attraction, as well as preventing equipment latch-up and safety related shock. ANSI/ESD S20.20 Paragraph 6.2.3.1 Protected Areas Requirement states: "Ionization or other charge mitigating techniques shall be used at the workstation to neutralize electrostatic fields on all process essential insulators if the electrostatic field is considered a threat." Ionization is used to neutralize charges on process necessary insulators and isolated semiconductors. Some examples of process necessary insulators are: the PC board itself, plastic test stands, plastic housing where a PCB may be mounted, as well as computer monitor screens and regular cleaning wipes. Examples of floating or isolated conductors are: loaded PCB mounted in a stand where the pins are not contacting the dissipative workstation. Ionization is not effective on items that have large capacitance, like people and carts; however, ionizers should be considered as a method for charge neutralization in cases where grounding cannot be achieved.

Air ionization can neutralize the static charge on insulated and isolated objects by producing separate charges in the molecules of the gases of the surrounding air. When an electrostatic charge is present on objects in the work environment, it will be neutralized by attracting opposite polarity charges from the ionized air. Note that ionization

systems should not be used as a primary means of charge control on conductors or people. (Reference: IEC 61340-5-2:1 paragraph 5.2.9).

The bench top ionizer is NIST calibrated and is available in two models. Both models come equipped with universal IEC cord connectors.

Model	Voltage / Hz	IEC Cord
19500	120 / 50-60	Yes
19520	220 / 50-60	No

## IONIZER SELECTION

ANSI/ESD S20.20 paragraph 6.1.1.2. ESD Control Program Plan Guidance states: "The Plan should include a listing of the specific type of ESD protective materials and equipment used in the Program." When selecting an ionizer life cycle costs should be considered including: equipment cost; installation cost; and operation and maintenance cost.

The unit is normally mounted at one end of a workbench or area to be neutralized. It may also be wall mounted or mounted on a shelf. The ionizer's decay time (neutralization efficiency) will be best from approximately 6" to 42" in front of the unit, and will drop off as the distance from the unit increases.

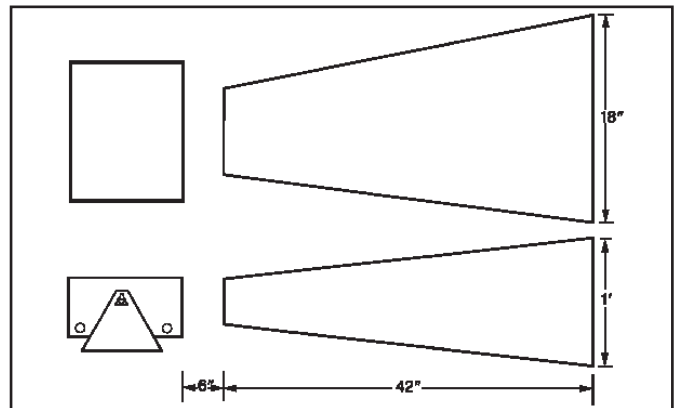


Figure 2. Area of optimum charge neutralization.

## Installation

Remove the ionizer from the carton and inspect for shipping damage. Included with the unit should be:

- 1 power cord, 6' IEC type (120V only)
- 1 cleaning brush
- 1 filter and guard assembly

\*Manufactured under U.S. patent #5,008,594

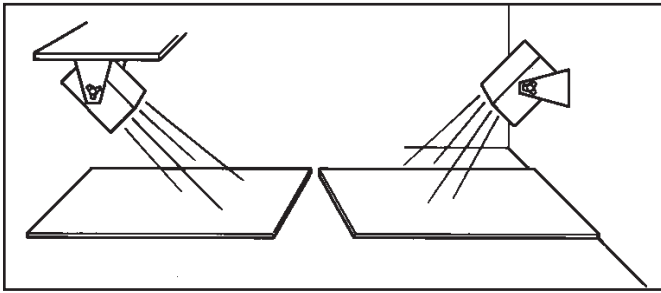


Figure 3. Wall or shelf mounting of the ionizer.

Mount the unit in the desired position. You can bolt the stand to a wall or under a shelf as desired. For best results, the unit should be mounted so that no obstructions exist between the output area and the area to be neutralized.

Set both front panel rocker switches in the "off" position.

Connect the IEC plug into the connector on the back panel of the ionizer, press firmly to ensure that the cord is properly attached. Install the power cord into a properly grounded outlet. The bench top ionizer must be grounded for proper operation. We recommend Item #98130 to check ground point.

## Operation

Turn on the power switch and adjust fan speed for the desired air flow. Higher air flow will result in a faster neutralization rate.

Aim the unit so that the maximum airflow is directed at the items or area to be neutralized.

The left rocker switch turns on a heater which will raise the temperature of the output air to about 10°F above ambient. The heater is only to offset the chill factor of the moving air. It is not intended to warm the workstation.

**If the ionizer is used in a manner not specified by the manufacturer, the protection provided by the ionizer may be impaired.**

## Maintenance

"As with all ionizers, periodic maintenance will be needed to provide optimum performance." (Reference: IEC 61340-5-2:1 paragraph 5.2.9).

The frequency of monitoring ionizers really depends on how and where they are used. Since the majority of them use a fan to transport the ions to the working area, the cleanliness of the air directly affects their performance over time and how often the emitters should be cleaned.

EIA-625 recommends checking ionizers every 6 months, but this may not be suitable for many programs particularly since an out-of-balance may exist for months before it is checked again. ANSI/ESD S20.20 paragraph 6.1.3.1 Compliance Verification Plan Requirement states: "Test equipment shall be selected to make measurements of appropriate properties of the technical requirements that are incorporated into the ESD program plan." And paragraph

6.1.3.2. Compliance Verification Plan Guidance states: "In addition to internal audits, external audits (Organization and supplier of ESDS items) should be performed to ensure compliance with planned requirements. Verifications should include routine checks of the Technical Requirements in the Plan. The frequency of verification checks should be based on the control item usage, its durability and associated risk of failure."

Under normal conditions, the ionizer will attract and accumulate dirt and dust (especially on the emitter electrodes). To maintain optimum performance, cleaning must be performed on a regular basis. The electrodes should be cleaned at least as often as indicated in the next section. However, more frequent cleaning may be required if used in environments with more contaminants.

### METHOD 1 (At least every 6 months)

The Bench Top Ionizer comes with an easy-cleaning brush which should be stored in a convenient location. It is important to **disconnect power to the ionizer**. Then slide the brush through the grill and across the electrodes several times to remove the dirt and dust.

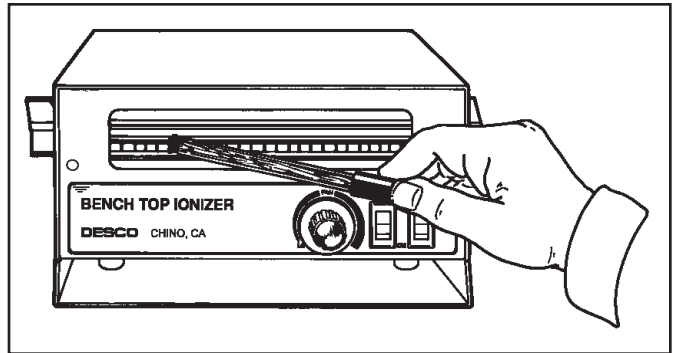


Figure 4. Cleaning the electrodes (Method 1).

### METHOD 2 (Annually)

To remove heavier accumulations of dirt and dust, use clean, compressed air. Disconnect power to the ionizer. With one hand firmly on top of the ionizer, aim compressed air through the front grill, directly at pins. A few passes back and forth with the nozzle is sufficient.

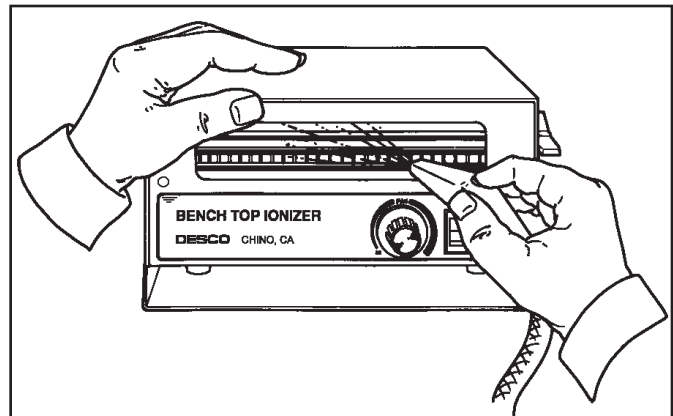


Figure 5. Cleaning the electrodes (Method 2).

### METHOD 3 (As needed in harsh environments)

This cleaning method will remove all contaminants. Since this method requires direct contact with emitter electrodes, it is critical that the ionizer be unplugged before beginning this cleaning process. **DISCONNECT POWER TO THE IONIZER.** Dampen the end of a non-linting cotton swab with isopropyl alcohol. **Alcohol is flammable: extreme caution should be used when handling any flammable solvent.** Reaching carefully through the grill bars, gently wipe each electrode until clean. Avoid bending any electrodes. If any electrodes become dislodged, nudge them with the tail end of the cleaning brush until they remain no less than 1/4" from any object. **Wait 15 minutes for alcohol to evaporate before plugging in the ionizer.**

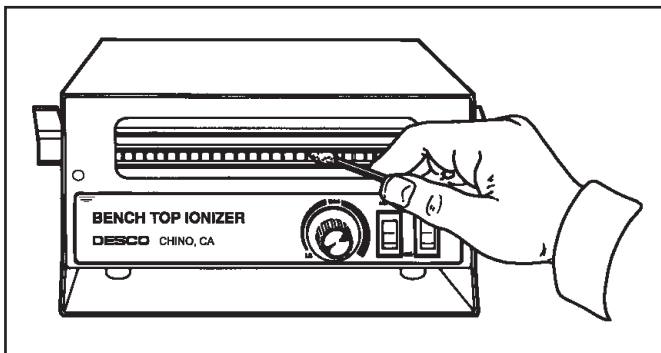


Figure 6. Cleaning the electrodes (Method 3).

### Neutralization Efficiency (Decay Time)

The comparative efficiency of bench top ionizers is determined by a standard test published by the ESD Association (Draft standard S 3.1). The decay rates measured using this standard for the ionizer are shown in the following diagram. The performance of the ionizer was measured with the unit positioned at varying distances with the fan speed on high.

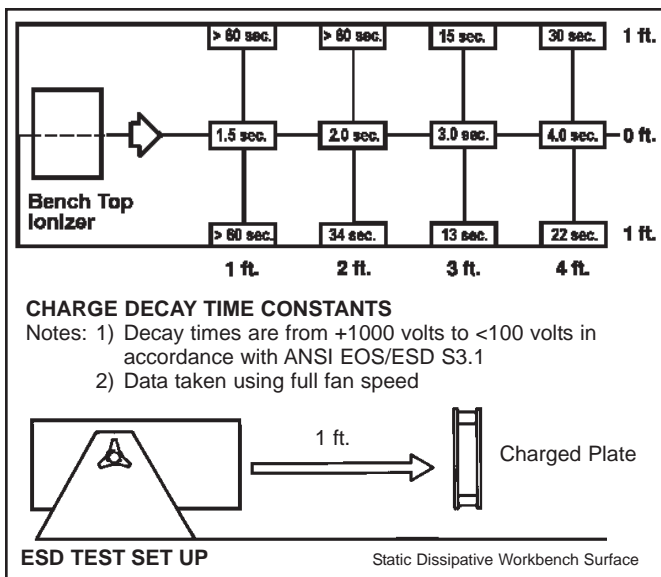


Figure 7. Decay time in seconds from 1000 volts to 100 volts on a 6" x 6" charged plate per ANSI EOS/ESD S3.1.

### Theory of Operation

The Bench Top Ionizer employs a safe non-nuclear AC ionization source. AC systems utilize emitters that are switched rapidly between positive and negative high voltage, usually at the power line frequency (50/60 Hz). The ionizer's unique Faraday Balance System monitors ion output and automatically adjusts the unit to reach an equilibrium at perfectly balanced ion flow. The ionizer is designed to achieve balance under extreme conditions and is uniquely able to maintain balance in almost any environment.

Ions are emitted in an efficient laminar flow. This reduces air turbulence and ion recombination, prolongs cleanliness and increases efficiency. The ionizer's unique tri-metallic ion emitter electrodes produce a high ion output for rapid charge dissipation.

The Bench Top Ionizer is engineered for efficiency and durability. The Faraday Balancing System reduces the need for annual calibration, making this bench top ionizer highly dependable and cost effective.

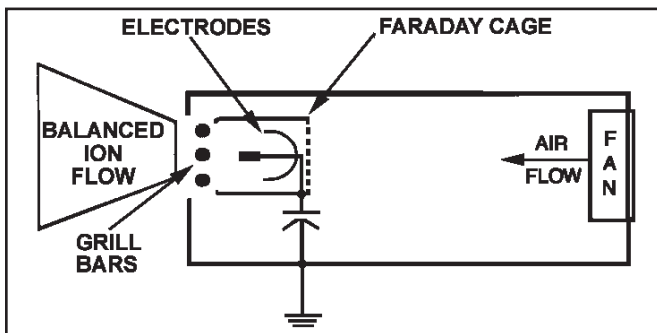


Figure 8. Components of the Faraday Balance System.

### Testing and Calibration

Test using a version of EOS/ESD STM3.1. Observe and record offset voltage (float voltage) in voltage, measure of discharge time for +1000volts to +100volts and -1000volts to -100volts in seconds.

#### Equipment and tools used:

- Charged Plate Monitor (CPM)
- Medium sizes insulative flat head screw driver

#### Set-up:

1. Refer to EOS/ESD STM3.1, 6.3 Worksurface Ionization. Test should be performed on static dissipative worksurface. Testing technician and worksurface needs to be properly grounded.
2. Refer to figure 11 - Test locations for bench top ionizer on page 11. Front of ionizer needs to be 12" away from surface of CPM plate, for TP2.

#### Testing:

Lab environment should be at 75°F at +/-5°F, relative humidity at 45% at +/-5% RH. Observe offset voltage for no less than 10sec before recording.

	MFG Specifications	Recorded Values
Offset voltage (floating voltage) in voltage	+/-10 volts at TP2 (1 foot)	
Discharge time, +1000volts to +100volts in seconds	2 sec or less at TP2 (1 foot)	
Discharge time, -1000volts to -100volts in seconds	2 sec or less at TP2 (1 foot)	

## Adjustment

There are no user adjustable or serviceable parts inside the ionizer. Adjusting or dismantling your ionizer may create dangerous conditions and unauthorized modifications will void the product warranty. Servicing should be performed only at the factory, or by a technician trained in high voltage circuits. See warranty section for repair information.

## Health

There are no known health risks associated with our devices. The emitters work at about 4-6 kV and can create ozone, but there have been no significant measurement of ozone from our emitter sets, as all our existing units test well below the OSHA limit of 0.05 ppm ozone. For additional safety information, see "Dispelling an Old Myth" written by William Metz of Hewlett-Packard published in Evaluation Engineering magazine, September

## Specifications

Input:	
19500	120 VAC - 50/60 Hz - 3.0 Amps
19520	220 VAC - 50/60 Hz - 1.5 Amps
Fuse Type:	
19500	Slow blow 5 amp
19520	Slow blow 3 amp
Output:	4.5 KV at 50 - 60 nano amps
Airflow:	Adjustable 117 CFM maximum
Balance Voltage*:	±5v
Size:	11" x 9" x 7"
Weight:	
19500	13 Pounds
19520	16 Pounds
Cord:	
19500	Cord with three wire IEC plug (ground required)
19520	Not included

*\*Desco ionizers meet the ANSI/ESD S20.20 minimum recommended technical requirement range of less than ±50 volts voltage offset tested in accordance with ANSI EOS/ESD S3.1. Desco models 19500 and 19520 greatly exceed the requirement providing ±5 volt auto balancing.*

## Limited Warranty

Desco expressly warrants that for a period of one (1) year from the date of purchase, Desco Bench Top Ionizers will be free of defects in material (parts) and workmanship (labor). Within the warranty period, a unit will be tested, repaired or replaced at Desco's option, free of charge. Call Customer Service at 909-627-8178 (Chino, CA) or 781-821-8370 (Canton, MA) for Return Material Authorization (RMA) and proper shipping instructions and address. You should include a copy of your original packing slip, invoice, or other proof of purchase date. Any unit under warranty should be shipped prepaid to the Desco factory. Warranty repairs will take approximately two weeks.

If your unit is out of warranty, Desco will quote repair charges necessary to bring your unit to factory standards. Call Customer Service at 909-627-8178 (Chino, CA) or 781-821-8370 (Canton, MA) for Return Material Authorization (RMA) and proper shipping instructions and address. Ship your unit freight prepaid.

## Warranty Exclusions

THE FOREGOING EXPRESS WARRANTY IS MADE IN LIEU OF ALL OTHER PRODUCT WARRANTIES, EXPRESSED AND IMPLIED, INCLUDING MERCHANTABILITY AND FITNESS FOR A PARTICULAR PURPOSE WHICH ARE SPECIFICALLY DISCLAIMED. The express warranty will not apply to defects or damage due to accidents, neglect, misuse, alterations, operator error, or failure to properly maintain, clean or repair products.

## Limit of Liability

Electronic ionizers use high voltage corona discharge and should not be used in or near flammable or explosive environments. In no event will Desco or any seller be responsible or liable for any injury, loss or damage, direct or consequential, arising out of the use of or the inability to use the product. Before using, users shall determine the suitability of the product for their intended use, and users assume all risk and liability whatsoever in connection therewith.