

.050" Mini D Ribbon (MDR) Connectors

IDC Wiremount Plug — Shielded

101XX-6000EC Series



- IDC wiremount shielded I/O plug connector
- MDR-digital LCD interface — 20 and 26 position
- IEEE 1284 interface — 36 position
- Ribbon type contact — industry preferred
- Reliable repetitive plugging/unplugging
- Accepts a wide variety of cable types including round, twisted pair, twinax, and flat cable
- Available with a variety of shielded junction shells
- Positions 14, 20, 26, 36, 40, 68, 80 and 100

Date Modified: February 19, 1999

TS-0423-07
Shee1 of 3

89

Physical

Insulation

Material: Glass Reinforced Polyester (PBT)
Flammability: UL 94V-0
Color: Black

Contact

Material: Beryllium Copper (C172)
Plating
Underplate: 80 μ " (2.0 μ m) Nickel — QQ-N-290, Class 2
Wiping Area: 30 μ " (0.76 μ m) Min Gold — MIL-G-45204, Type II, Grade C

Shroud

Material: Steel
Plating: Nickel

Wire Accommodation: 28 AWG Stranded, 30 AWG Solid

Marking: 3M Logo & Part Number

Electrical

Current Rating: 1 A

Insulation Resistance: $> 5 \times 10^8 \Omega$ at 500 VDC

Withstanding Voltage: 500 VRMS for 1 Minute

Environmental

Temperature Rating: -20°C to $+85^\circ\text{C}$

UL File No.: E68080

3M Interconnect Solutions Division

6801 River Place Blvd.
Austin, TX 78726-9000

For technical, sales or ordering information call
800-225-5373

.050" Mini D Ribbon (MDR) Connectors

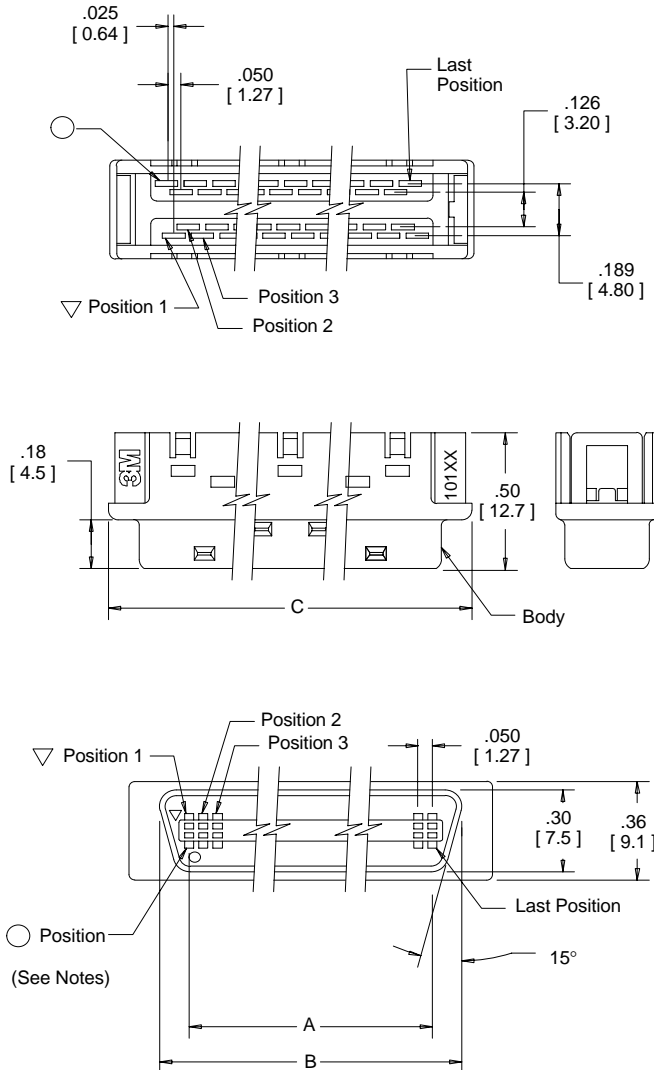
IDC Wiremount Plug — Shielded

101XX-6000EC Series

Contact Quantity	Dimensions			
	A	B	C	D
14	.300 [7.62]	.54 [13.8]	.72 [18.2]	.58 [14.7]
26	.600 [15.24]	.84 [21.4]	1.02 [25.8]	.88 [22.4]
50	1.200 [30.48]	1.44 [36.6]	1.62 [41.1]	1.48 [37.6]



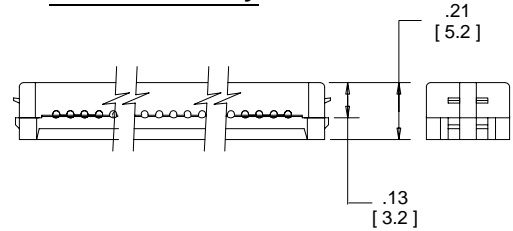
Body (14, 26 and 50 positions)



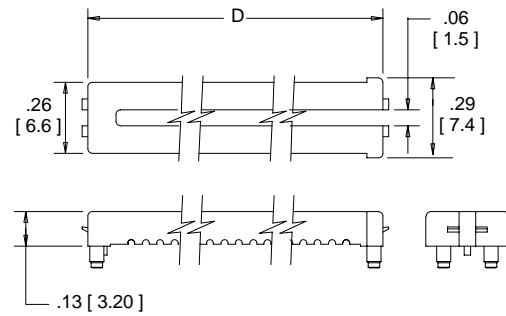
Notes:

1. Circle (○) position indicates #1 position in cable, when utilizing 0.025" pitch flat cable.
2. Triangle (▽) position indicates #2 position in cable, when utilizing 0.025" pitch flat cable.

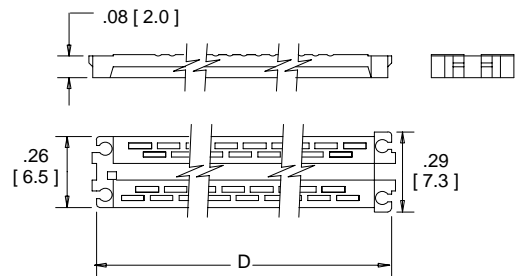
Cover Assembly



Cover 1



Cover 2



Inch
[mm]

Tolerance Unless Noted			
	.0	.00	.000
Inch	± .1	± .01	± .005

[] Dimensions for Reference only

Ordering Information

101XX-6000EC

Contact Quantity
(See Table)

(see page 3 for
other sizes)

TS-0423-07
Sheet 2 of 3

3M Interconnect Solutions Division

6801 River Place Blvd.
Austin, TX 78726-9000

For technical, sales or ordering information call
800-225-5373

.050" Mini D Ribbon (MDR) Connectors

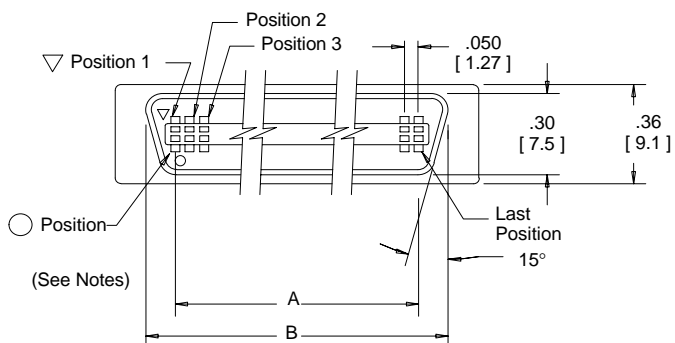
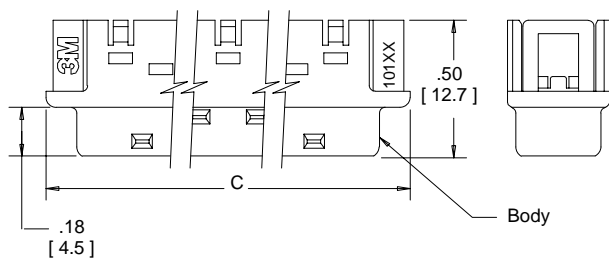
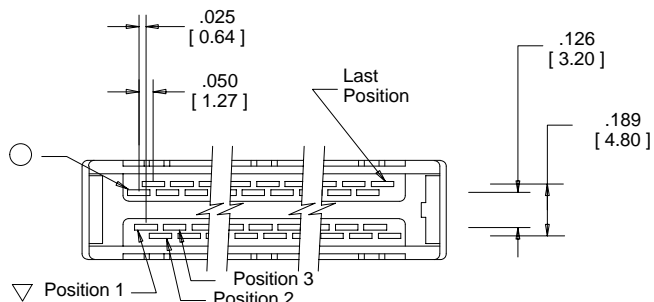
IDC Wiremount Plug — Shielded

101XX-6000EC Series



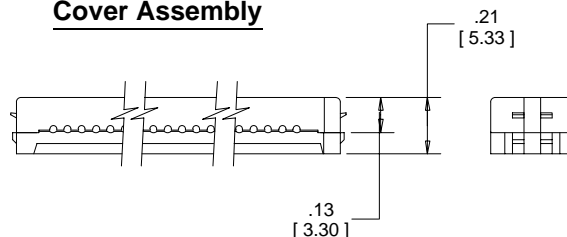
Contact Quantity	Dimensions			
	A	B	C	D
20	.450 [11.43]	.69 [17.6]	.87 [22.0]	.73 [18.6]
36	.850 [21.59]	1.09 [27.8]	1.27 [32.2]	1.13 [28.7]
40	.950 [24.13]	1.19 [30.3]	1.37 [34.7]	1.23 [31.3]
68	1.650 [41.91]	1.89 [48.1]	2.07 [52.5]	1.93 [49.0]
80	1.950 [49.53]	2.19 [54.8]	2.37 [60.1]	2.23 [56.7]
100	2.450 [62.23]	2.69 [67.5]	2.87 [72.8]	2.73 [69.4]

Body (20, 36, 40, 68, 80 and 100 positions)

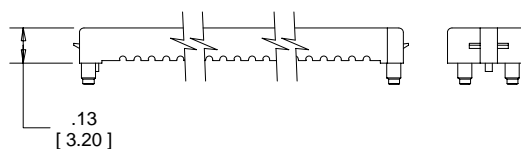
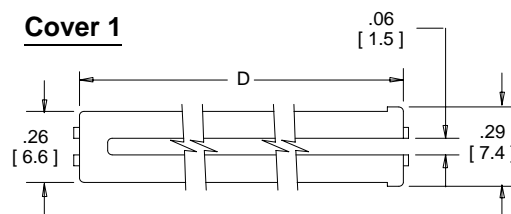


- Notes:
- Circle (○) position indicates #1 position in cable, when utilizing 0.025" pitch flat cable.
 - Triangle (▽) position indicates #2 position in cable, when utilizing 0.025" pitch flat cable.

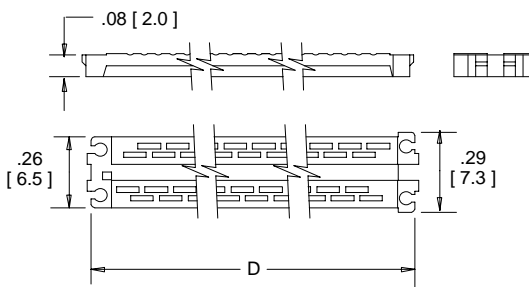
Cover Assembly



Cover 1



Cover 2



Inch
[mm]

Tolerance Unless Noted			
	.0	.00	.000
Inch	±.1	±.01	±.005

[] Dimensions for Reference only

Ordering Information

101XX-6000EC

Contact Quantity
(See Table)

Note: 100 pos = A0

TS-0423-07
Sheet 3 of 3

3M Interconnect Solutions Division

6801 River Place Blvd.
Austin, TX 78726-9000

For technical, sales or ordering information call
800-225-5373