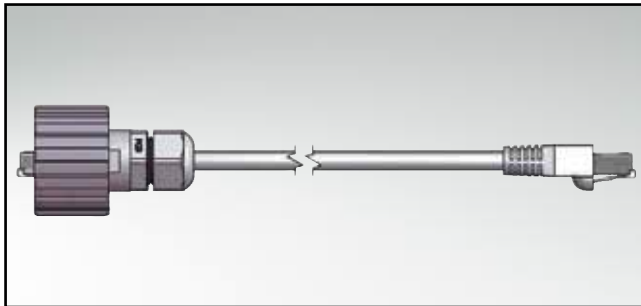


# RJ45 PATCH CORD

IP20 to IP20 – Plastic design – M28 screw termination

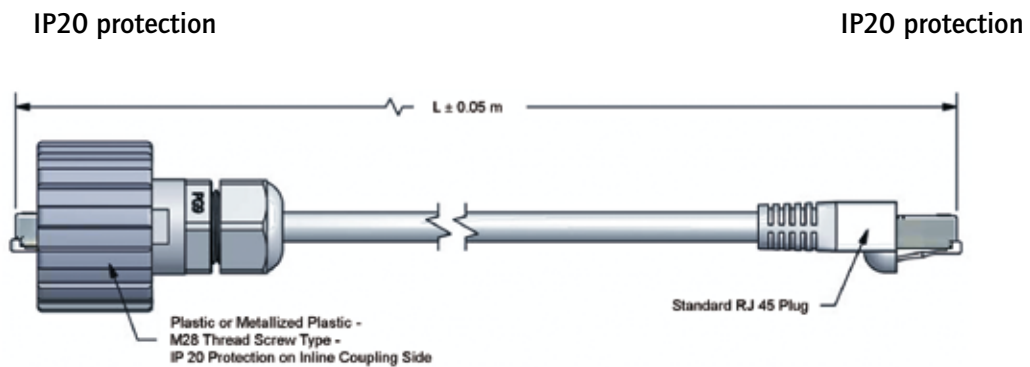


RoHS compliant

## DESCRIPTION

- Field attachable patch cord
- 1 x Industrial RJ45 plug connector for screw termination (IP20)  
1 x Standard RJ45 (IP20)
- Designs:
  - Housing and plug connector black plastic; Cable UTP\* black
  - Housing and plug connector metallized plastic; Cable STP\*\* black
- Special lengths on request

## PRODUCT DRAWING



UTP= \* unshielded twisted pair  
STP= \*\* shielded twisted pair

## ORDER DATA

Type Standard	Degree of protection	Material	Cable	Length (L)	Part Number
Patch cord	IP20/IP20	Black plastic	UTP/Unshielded	2 m	17-100574
Patch cord	IP20/IP20	Black plastic	UTP/Unshielded	4 m	17-100584
Patch cord	IP20/IP20	Black plastic	UTP/Unshielded	5 m	17-100594
Patch cord	IP20/IP20	Metallized plastic	STP/Shielded	2 m	17-100604
Patch cord	IP20/IP20	Metallized plastic	STP/Shielded	4 m	17-100614
Patch cord	IP20/IP20	Metallized plastic	STP/Shielded	5 m	17-100624