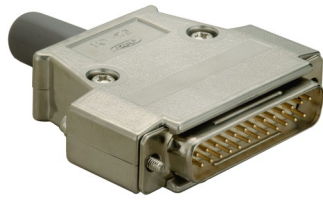


17JE Series Hood Kit

17JE Series

DDK Ltd.

※ The connectors which are shown in the picture are supplied separately.



17JE-25H-1x-CF



17JE-09H-1x-CF



17JE-25LH-1x-CF

FEATURE

- Hood is made with ABS resin. It is light-weight and compact
- Hood is metalized finish for EMI shield.

MATERIAL/FINISH

ABS Resin / Ni Plating



▶ Connector and Hood Kit

17JE(Solder Termination Type) and Hood kit Combination Part Number

Applicable Connector

17JE Series Solder Termination

17DE Series Crimp Termination

Connector with Cable Hood Kit

EMI Shielded

17JE-13250-02(D8Ax)A-CG

Mating Style
 1: Socket Connector (for Standard Cable)
 2: Pin Connector (for Standard Cable)
 3: Socket Connector (for Slim Cable)
 4: Pin Connector (for Slim Cable)

Plating on Shell
 3: Ni Plating

Number of Contact
 09, 15, 25, 37

Termination
 0: Solder-cup

Contact Plating
 2: Au(Flash) over Ni Plating

Lead and Cadmium Free
 A-CG : Lead and Cadmium Free (Socket Connector)
 -CG : Lead and Cadmium Free (Pin Connector)

Deviation
 D8 A □
 Lock Screw
 No Digit : Standard
 2 : Knurled Screw with Slot Head
 6 : Knurled Screw
 Thread
 A : M2.6×0.45
 B : M3×0.5
 C : # 4-40UNC
 Straight Hood
 Nickel Plating Metarised-finish

Regarding the detail of 17JE solder type, please refer to 17JE Solder type catalogue.

© Specifications and/or dimensions in this catalog are subject to change without notice.
 Please verify the latest specifications with our drawings.

▶ Straight Hood

17JE-25H2-1A □ -CF

Number of Contact: 9, 15, 25, 37

Hood Style
H : Straight Hood
H2: Straight Hood for Slim Cable

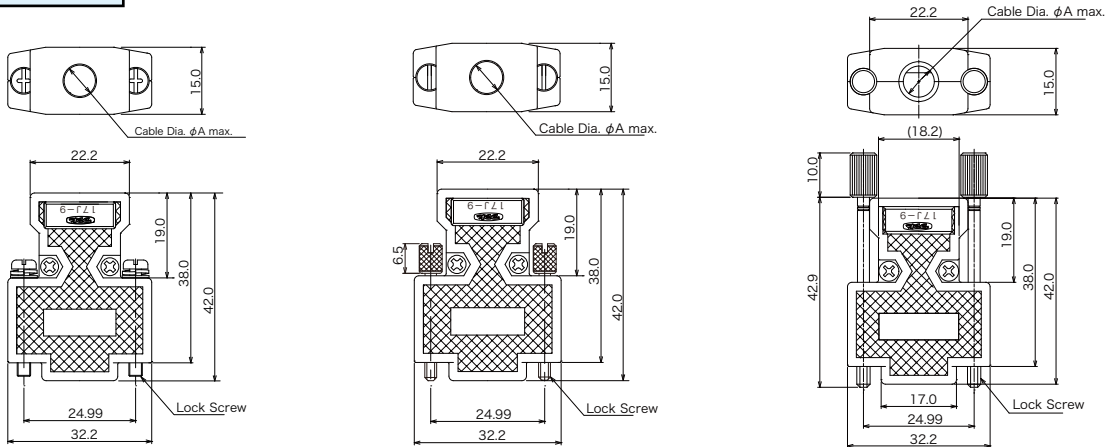
Hood Finish
1 : Ni Plating

CF: Lead Free and Cadmium Free

Lock Screw
No Digit : Standard
2 : Knurled Screw with Slot Head
4 : Knurled Screw

Thread Size
A : M2.6×0.45
B : M3×0.5
C : # 4-40UNC

9 Contacts



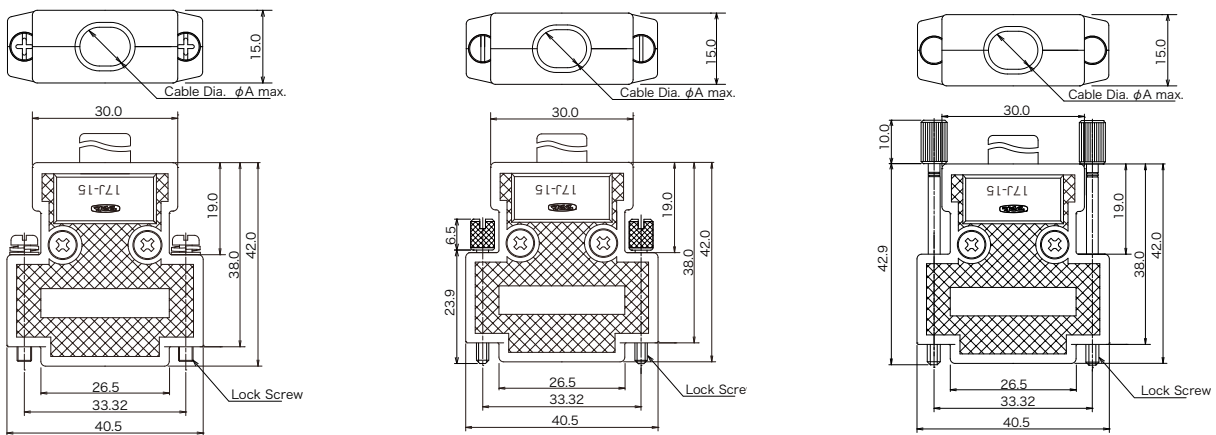
17JE-09H-1 □ -CF

17JE-09H-1 □ 2-CF

17JE-09H-1 □ 4-CF

Part Number	Cable Dia. φ A
17JE-09H-1 □ □ -CF	φ 7.5 max.
17JE-09H2-1 □ □ -CF	φ 5.1 max.

15 Contacts



17JE-15H-1 □ -CF

17JE-15H-1 □ 2-CF

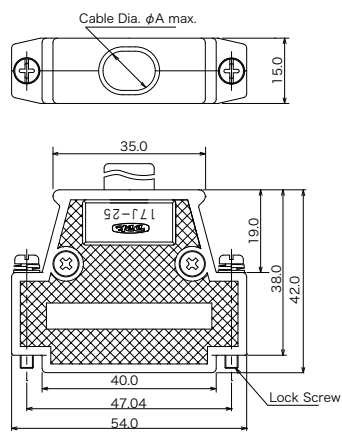
17JE-15H-1 □ 4-CF

Part Number	Cable Dia. φ A
17JE-15H-1 □ □ -CF	φ 8.0 max.
17JE-15H2-1 □ □ -CF	φ 5.7 max.

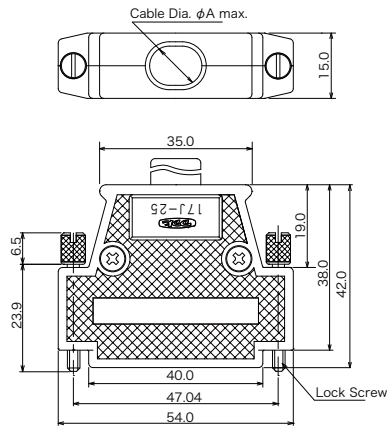
◎ Specifications and/or dimensions in this catalog are subject to change without notice.
Please verify the latest specifications with our drawings.

▶ Straight Type Hood

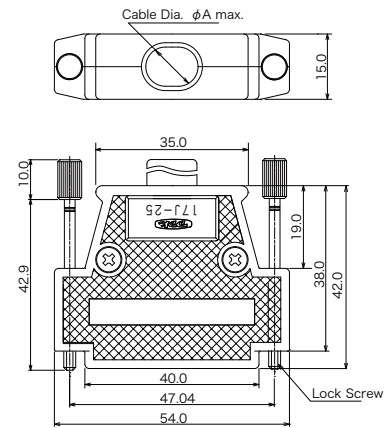
25 Contacts



17JE-25H-1 □ -CF



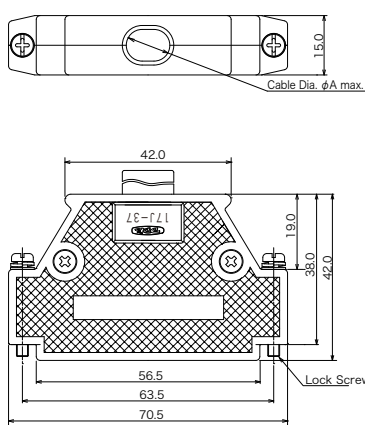
17JE-25H-1 □ 2-CF



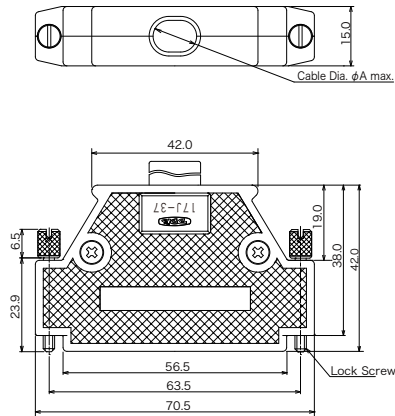
17JE-25H-1 □ 4-CF

Part Number	Cable Dia. φ A
17JE-25H-1 □ □ -CF	φ 9.0 max.
17JE-25H2-1 □ □ -CF	φ 6.6 max.

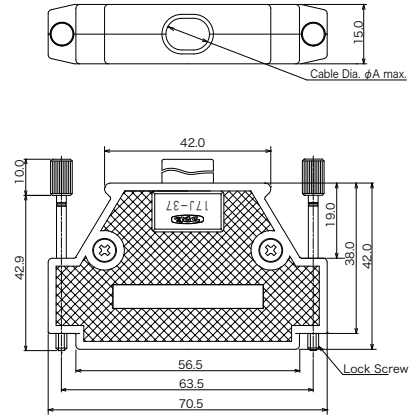
37 Contacts



17JE-37H-1 □ -CF



17JE-37H-1 □ 2-CF



17JE-37H-1 □ 4-CF

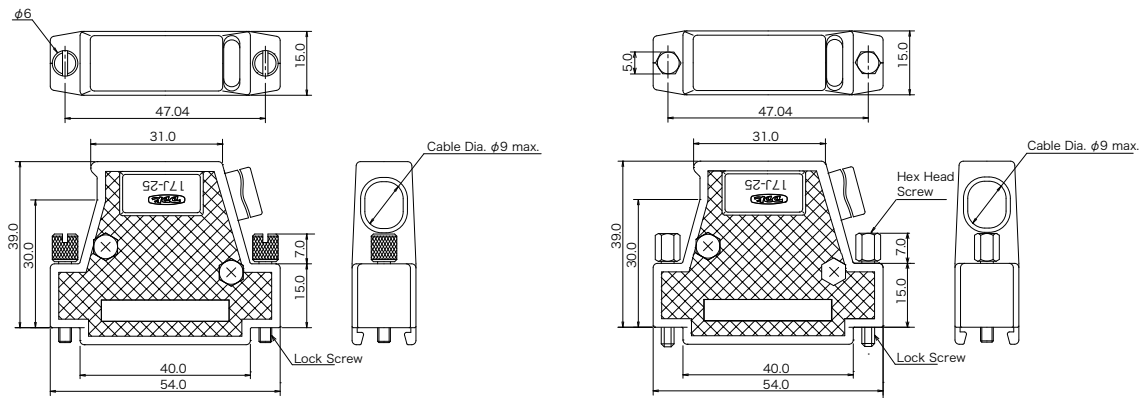
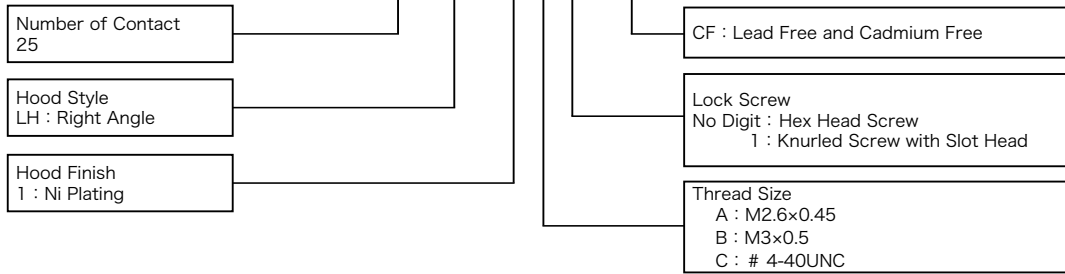
Part Number	Cable Dia. φ A
17JE-37H-1 □ □ -CF	φ 10.5 max.
17JE-37H2-1 □ □ -CF	φ 7.4 max.

© Specifications and/or dimensions in this catalog are subject to change without notice.
Please verify the latest specifications with our drawings.

▶ Right Angle Hood

※ This hood is not applicable to 17DE-13250-C and 17DE-23250-C.

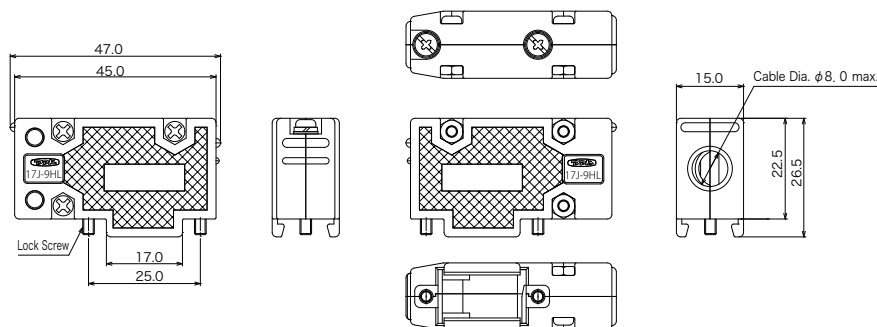
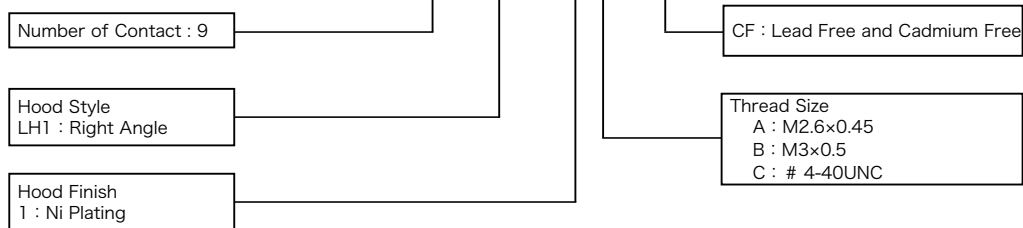
17JE-25LH-1A1-CF



17JE-25LH-1A1-CF

17JE-25LH-1A-CF

17JE-09LH1-1A-CF



© Specifications and/or dimensions in this catalog are subject to change without notice.
Please verify the latest specifications with our drawings.

Cable to cable connection

- We recommend to use the stud when a pair of cable connectors are mated.

