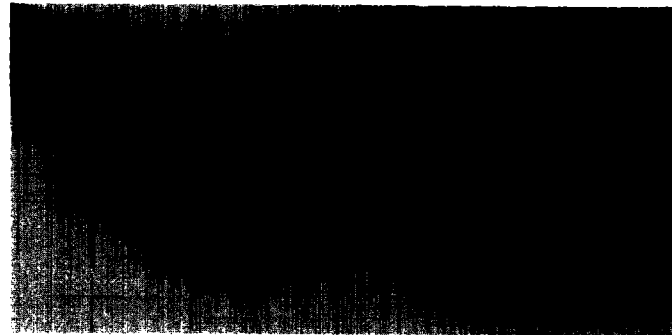


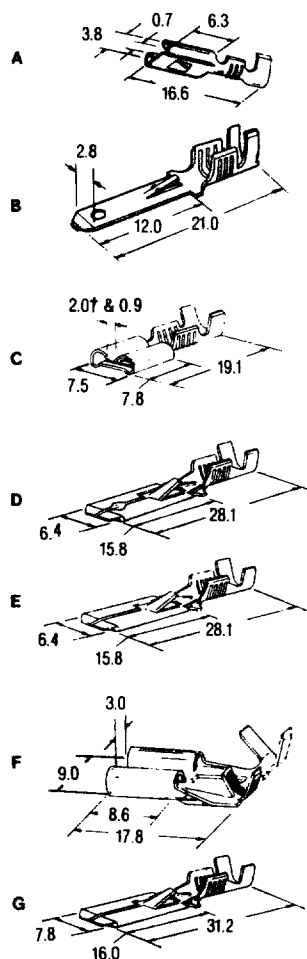
Wire to Wire Connectors

AMP FASTIN-FASTON[®] Connectors

These are the multiple-connector version of the basic FASTON Line. Primarily used as harness connectors, they make possible simultaneous and quick attachment of up to eight separate circuits. The finished housing can be panel mounted or left free hanging and is ideally suited for such applications as electric ranges, washers, dryers and other appliances and automotive wiring. Receptacles and tabs, with the exception of small locking lances to help retention in housing, are identical to those FASTON Line. U.L. recognized.

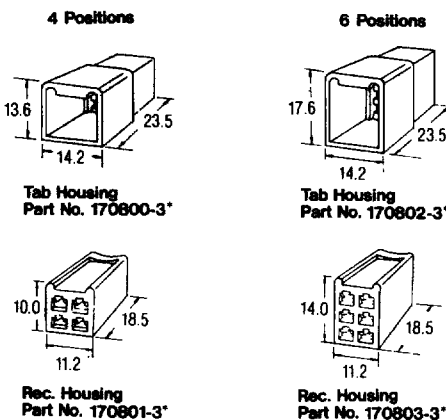


Contacts

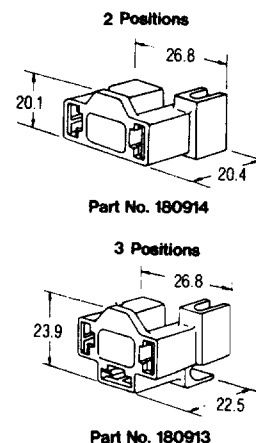


Housing

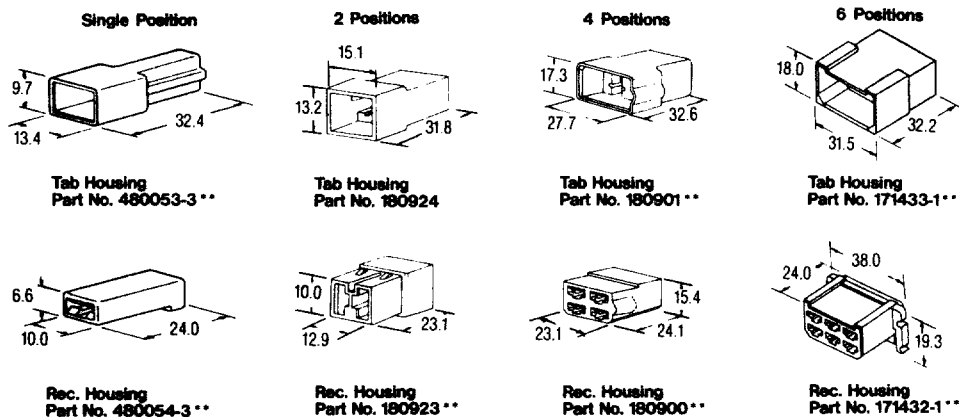
"110" Series



"312" Series



"250" Series



Style	Accepts Housing	Wire Size		Wire Ins. Dia.	Material Finish	Contact Parts No.		Hand Tool No.
		AWG	mm ²			S.T.	L.P.	
A	"110" Series	20-16	0.51~1.42	2.0~3.0	Brass	170015-1	170042-1	AWG # 16, 720695-2
B	4, 6 Position					170014-1	170041-1	AWG # 20-18, 720700-2
C	"250" Series	18-14	0.75~2.27	3.1~4.1	Brass-Tin	42281-2	42282-2	720725-1
D	1 Position					42460-2	42565-2	90011
C	"250" Series	18-14	0.75~2.27	3.1~4.1	Brass-Tin	170092-4	170108-4	720725-1
E	2, 4, 6 Position					170151-2	170153-2	
F	"312" Series (2, 3 Position)	18-14	0.75~2.27	3.0~4.3	Brass	170191-1	—	180321
G	"312" Series Special	12-10	3.08~5.27	3.8~4.9	Brass	170105-1	—	—

Note: Available in other colors. * Acrylonitril Styrene Clear ** Nylon: Natural