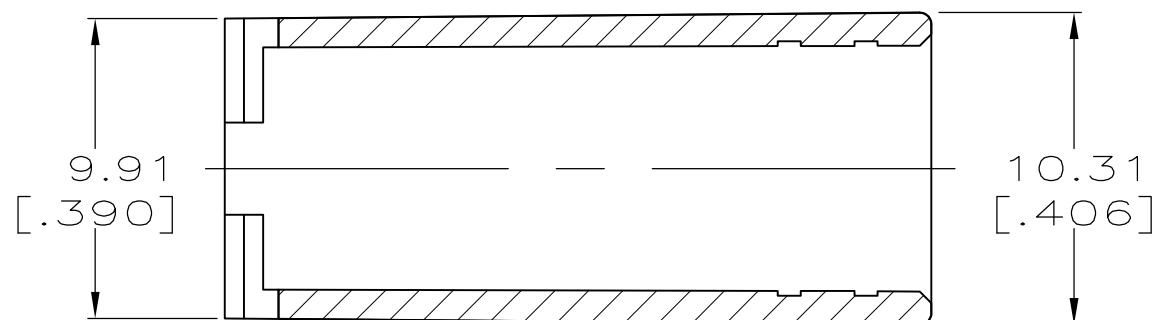


THIS DRAWING IS UNPUBLISHED. RELEASED FOR PUBLICATION  
 © COPYRIGHT BY TYCO ELECTRONICS CORPORATION. ALL RIGHTS RESERVED.

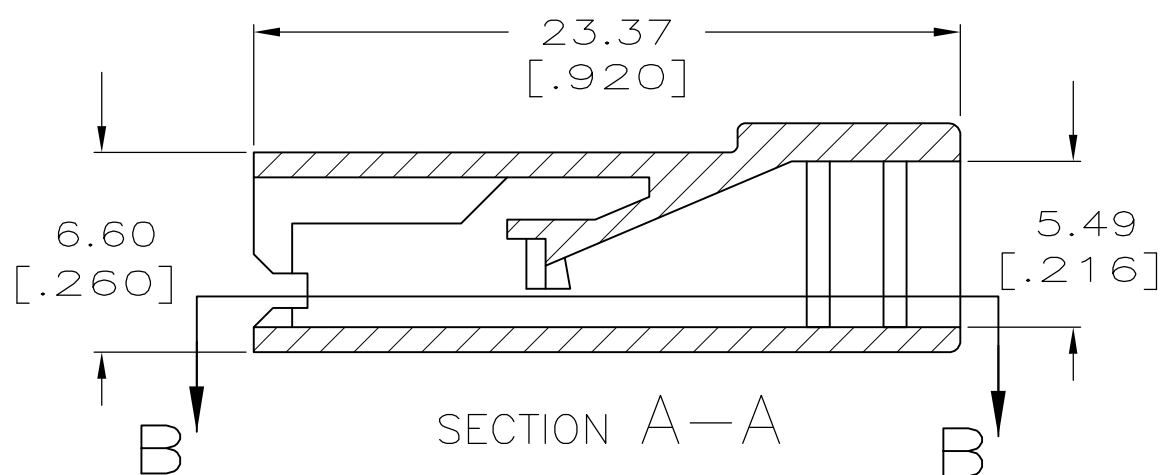
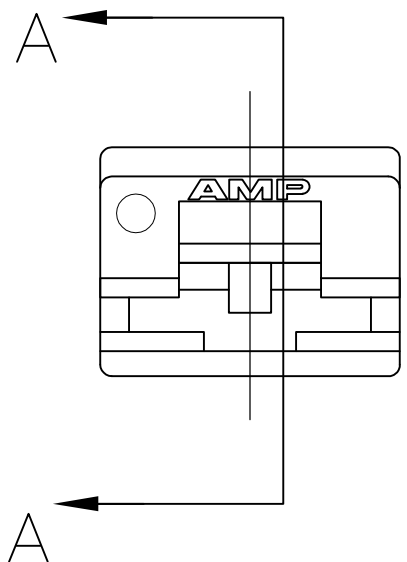
LOC	DIST	REVISIONS					
AF	50	P	LTR	DESCRIPTION	DATE	DWN	APVD
			AC2	REVISED PER ECR-09-019650	04SEP09	HMR	PD



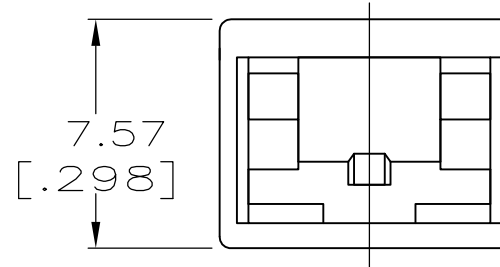
SECTION B-B

- 1 SPECIAL PACKAGING QUANTITIES.
- 2 POLYAMIDE, UL94, V2, ACCORDING TO IEC 60335-1, GLOW WIRE.
- 3 PRELIMINARY - NOT FOR PRODUCTION

5 CONTACT PRODUCT ENGINEERING FOR TERMINAL RECOMMENDATIONS WHEN USING THIS INSULATOR WITH 10 AWG WIRE



SECTION A-A



OBSOLETE  
 OBSOLETE  
 OBSOLETE

NATURAL	2		2-480416-2
NATURAL	6/6 NYLON	3 1	2-480416-1
NATURAL	UL94 5VA RATED	3	2-480416-0
NATURAL	4/6 NYLON UL 150		1-480416-8
NATURAL	66 NYLON, VO		1-480416-7
OBSOLETE	NATURAL		1-480416-6
OBSOLETE	RED		1-480416-4
OBSOLETE	BLUE		1-480416-3
	BLACK		1-480416-1
	NATURAL		1-480416-0
	FINISH	MATERIAL	PART NO

THIS DRAWING IS A CONTROLLED DOCUMENT.		DWN	JR RUTH	2/4/91	Tyco Electronics Corporation Harrisburg, PA 17105-3608				
DIMENSIONS: INCHES		CHK	P FORTNEY	2/4/91					
TOLERANCES UNLESS OTHERWISE SPECIFIED:		APVD	C MEYERS	2/4/91	NAME				
0 PLC ± - 1 PLC ± - 2 PLC ± 0.38 [.015] 3 PLC ± - 4 PLC ± - ANGLES ± -		PRODUCT SPEC		HOUSING, RECEPTACLE, FASTON, 6.35 [.250] SERIES					
MATERIAL SEE TABLE		FINISH SEE TABLE		APPLICATION SPEC		SIZE	CAGE CODE	DRAWING NO	RESTRICTED TO
				WEIGHT -		A3	00779	C-480416	-
CUSTOMER DRAWING				SCALE	4:1	SHEET	1 OF 1	REV	AC2