

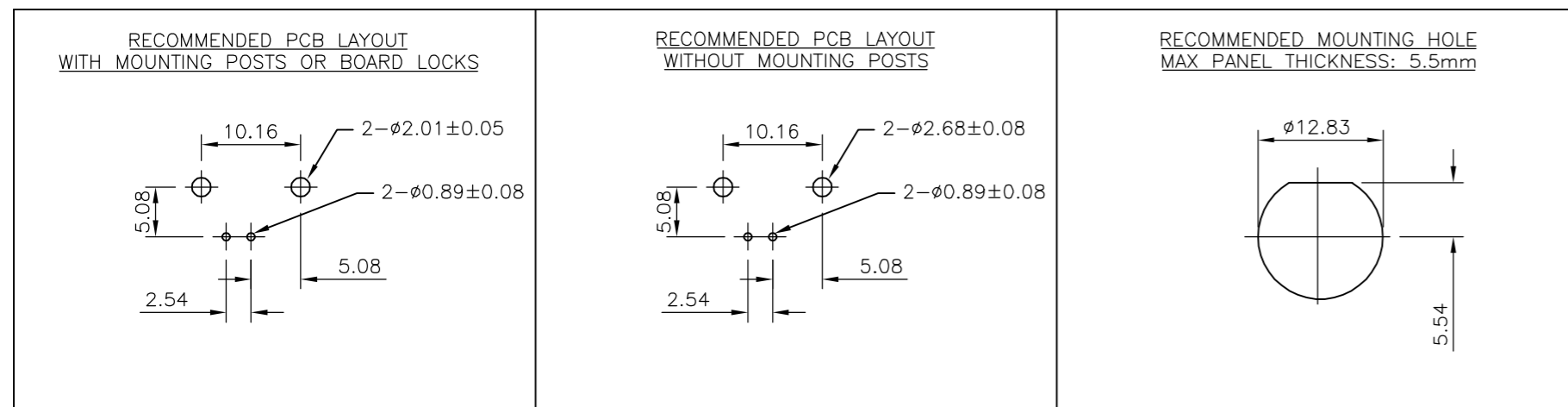
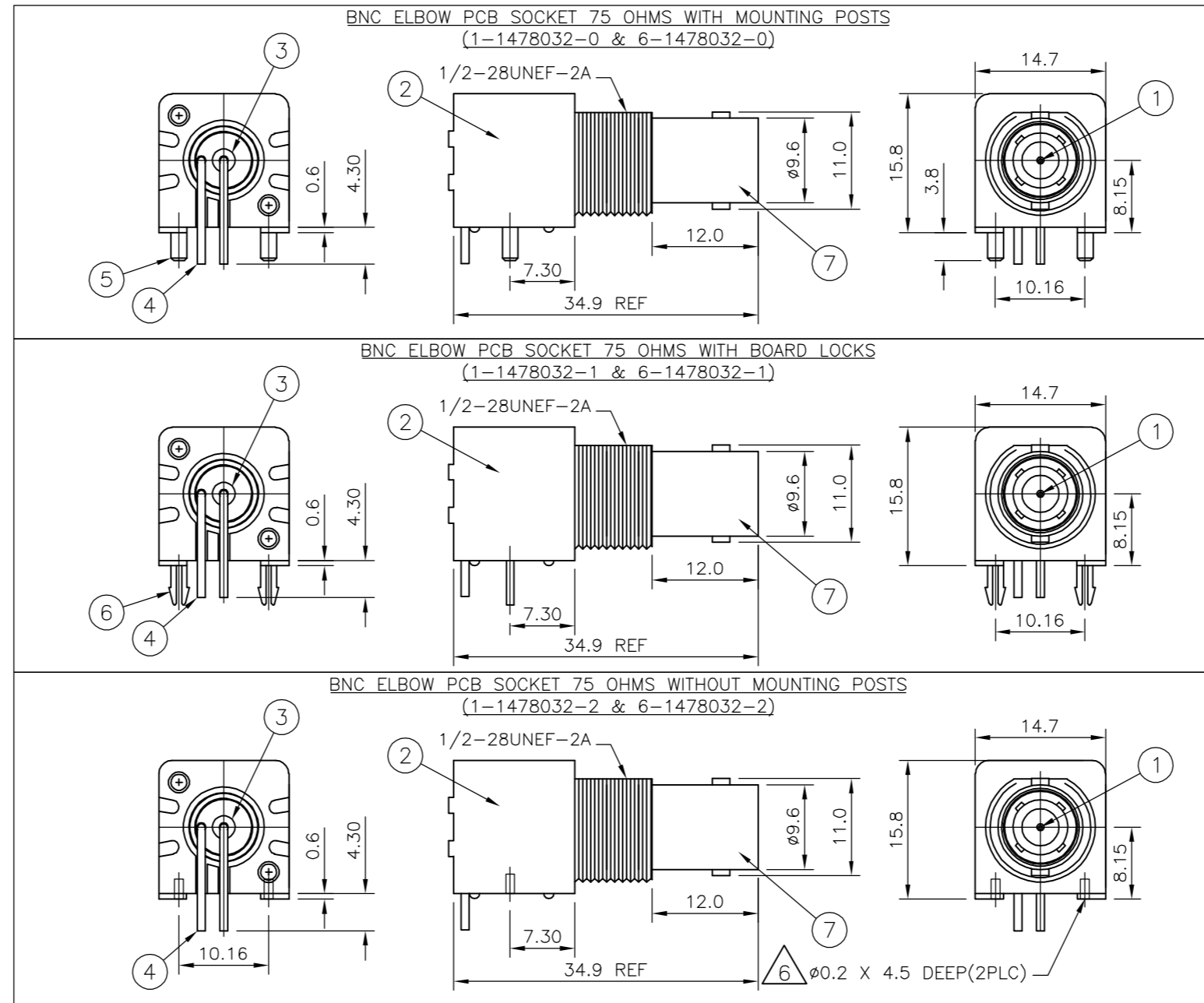
THIS DRAWING IS UNPUBLISHED. RELEASED FOR PUBLICATION AUGUST, 2005.  
 © COPYRIGHT 2005 BY TYCO ELECTRONICS CORPORATION. ALL RIGHTS RESERVED.

LOC	DIST	REVISIONS					
E	B	P	LTR	DESCRIPTION	DATE	DWN	APVD
		B		ECR-05-006587	09AUG05	JMS	FWK

- NOTES:
- 1. SINGLE PACK IN ACCORDANCE WITH AMP SPEC 107-3275
  - 2. 50 TRAY PACK IN ACCORDANCE WITH AMP SPEC 107-3275
  - 3. Au PLATING OVER Ni PLATING OVER Cu PLATING
  - 4. Ni PLATING OVER Cu PLATING
  - 5. TIN PLATING
  - 6. RECOMMENDED SELF-TAPPING SCREW 221108-4
  - 7. RECOMMENDED MOUNT NUT 1-1634816-0
  - 8. RECOMMENDED LOCKWASHER 1-1634817-0
  - 9. CHARACTERISTICS
 

FREQUENCY RANGE:	DC-2GHz
NOMINAL IMPEDANCE:	75 OHMS
WORKING VOLTAGE:	500V RMS
INSULATION RESISTANCE:	5000 MOHMS
DIELECTRIC WITHSTAND VOLTAGE:	1500V RMS
CONTACT RESISTANCE:	
CENTRE CONTACT:	1.5 mOHMS
OUTER CONTACT:	0.2 mOHMS
  - 10. MECHANICAL CHARACTERISTICS
 

DURABILITY:	50 CYCLES
-------------	-----------
  - 11. FOR TECHNICAL DATA REFER TO YOUR LOCAL TYCO ELECTRONICS SALES OFFICE
  - 12. ALL DIMENSIONS ARE NOMINAL FOR REFERENCE ONLY UNLESS OTHERWISE STATED



QTY	DESCRIPTION	MATERIAL	ITEM					
1	1	1	1	ZINC DIECAST	BOARD LOCK	7		
-	-	2	-	BRASS	MOUNTING POST	6		
-	-	-	2	BRASS	SOLDER TAIL	5		
1	1	1	1	BRASS	INSULATOR	4		
1	1	1	1	PE-606	HOUSING	3		
1	1	1	1	PBT WHITE	HOUSING	2		
1	1	1	1	BRASS	CONTACT	1		
6--2	1--2	6--1	1--1	6--0	1--0	MATERIAL	DESCRIPTION	ITEM

THIS DRAWING IS A CONTROLLED DOCUMENT.

DWN	J.SANDWELL	09AUG05	 Tyco Electronics Corporation Bideford, UK, EX39 4HE								
CHK	S.PARLOW	09AUG05									
APVD	F.WHEELER-KING	09AUG05									
PRODUCT SPEC	108-3435										
APPLICATION SPEC	N/A		NAME	BNC R/A INSULATED PCB SOCKET 75 OHM WHITE							
MATERIAL	SEE TABLE	FINISH	SEE TABLE	SIZE	A2	CAGE CODE	00779	DRAWING NO	C=1478032	RESTRICTED TO	-
CUSTOMER DRAWING				SCALE	NTS	SHEET	1	OF	1	REV	B

1478032