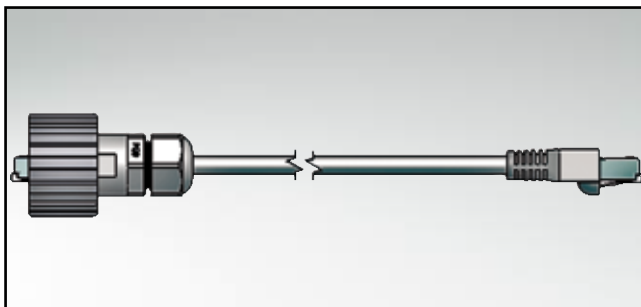


# RJ45 PATCH CORD

IP67 to IP20 – Plastic design – Bayonet plug connector

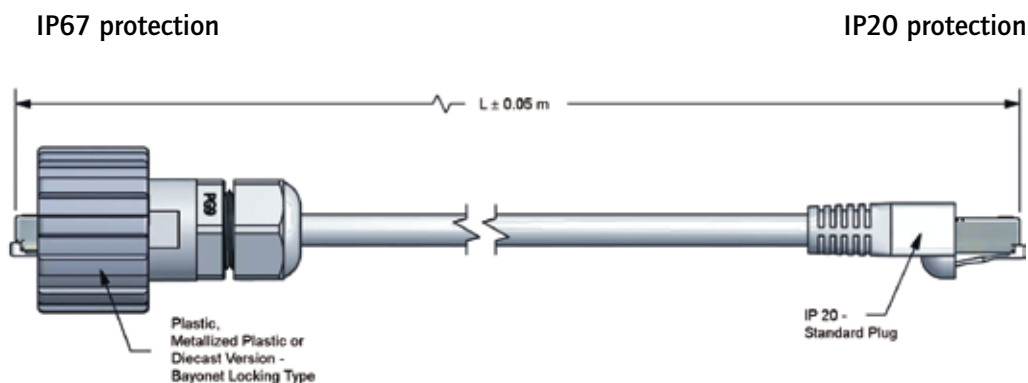


RoHS compliant

## DESCRIPTION

- Field attachable patch cord
- 1 x Industrial RJ45-IP67 – 1 x Standard RJ45-IP20
- Designs:
  - Housing and plug connector: Black plastic; Cable: UTP\* black
  - Housing and plug connector: Metallized plastic; Cable: STP\*\* black
  - Housing: Metallized plastic; plug connector and screw connection zinc die-cast; Cable STP\*\* black
- Outdoor version with cable "Drain wire" and "Waterproof tape"
- Special lengths on request

## PRODUCT DRAWING



UTP= \* unshielded twisted pair  
STP= \*\* shielded twisted pair

## ORDER DATA

Type Standard	Degree of protection	Material	Cable	Length (L)	Part Number
Patch cord	IP67 / IP20	Black plastic	UTP / Unshielded	2 m	17-10006
Patch cord	IP67 / IP20	Black plastic	UTP / Unshielded	4 m	17-10007
Patch cord	IP67 / IP20	Black plastic	UTP / Unshielded	5 m	17-10008
Patch cord	IP67 / IP20	Metallized plastic	STP / Shielded	2 m	17-10028
Patch cord	IP67 / IP20	Metallized plastic	STP / Shielded	4 m	17-10029
Patch cord	IP67 / IP20	Metallized plastic	STP / Shielded	5 m	17-10030
Patch cord	IP67 / IP20	Metallized plastic / Plug connector and screw connection: zinc die-cast	STP / Shielded	2 m	17-101264
Patch cord	IP67 / IP20	Metallized plastic / Plug connector and screw connection: zinc die-cast	STP / Shielded	4 m	17-101274
Patch cord	IP67 / IP20	Metallized plastic / Plug connector and screw connection: zinc die-cast	STP / Shielded	5 m	17-101284

Type Outdoor	Degree of protection	Material	Cable	Length (L)	Part Number
Patch cord	IP67 / IP20	Black plastic	UTP / Unshielded	2 m	17-101234
Patch cord	IP67 / IP20	Black plastic	UTP / Unshielded	4 m	17-101244
Patch cord	IP67 / IP20	Black plastic	UTP / Unshielded	5 m	17-101254
Patch cord	IP67 / IP20	Metallized plastic	STP / Shielded	2 m	17-101264
Patch cord	IP67 / IP20	Metallized plastic	STP / Shielded	4 m	17-101274
Patch cord	IP67 / IP20	Metallized plastic	STP / Shielded	5 m	17-101284
Patch cord	IP67 / IP20	Metallized plastic / Plug connector and screw connection: zinc die-cast	STP / Shielded	2 m	17-101294
Patch cord	IP67 / IP20	Metallized plastic / Plug connector and screw connection: zinc die-cast	STP / Shielded	4 m	17-101304
Patch cord	IP67 / IP20	Metallized plastic / Plug connector and screw connection: zinc die-cast	STP / Shielded	5 m	17-101314