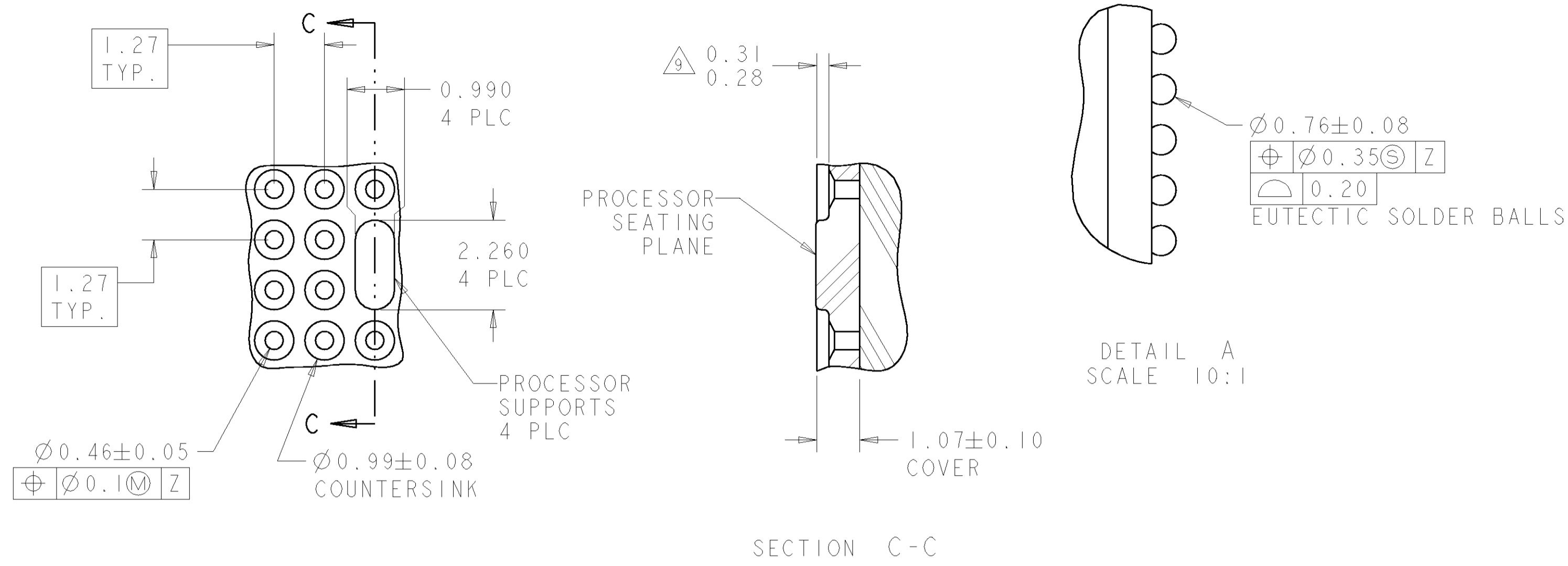
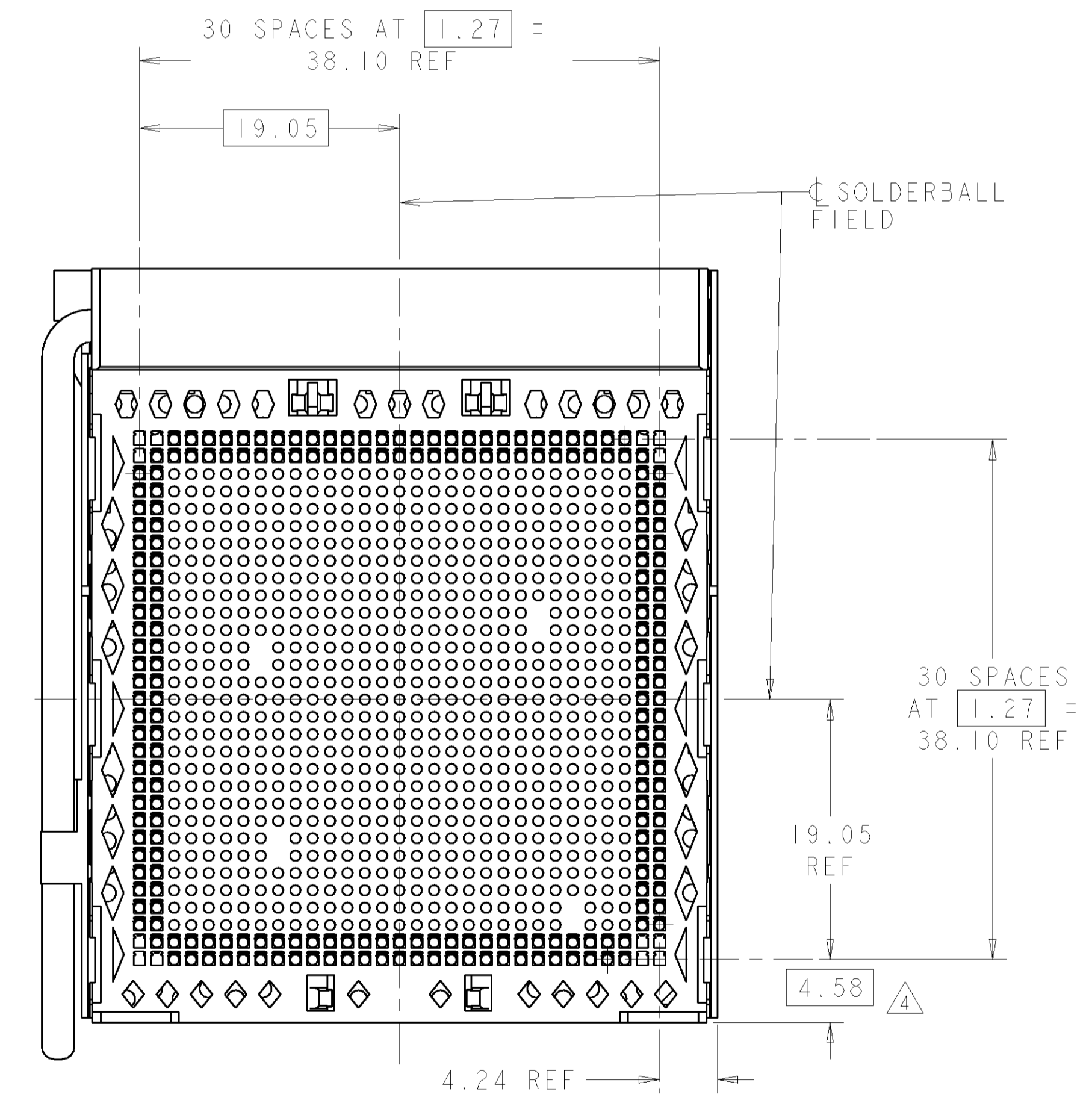
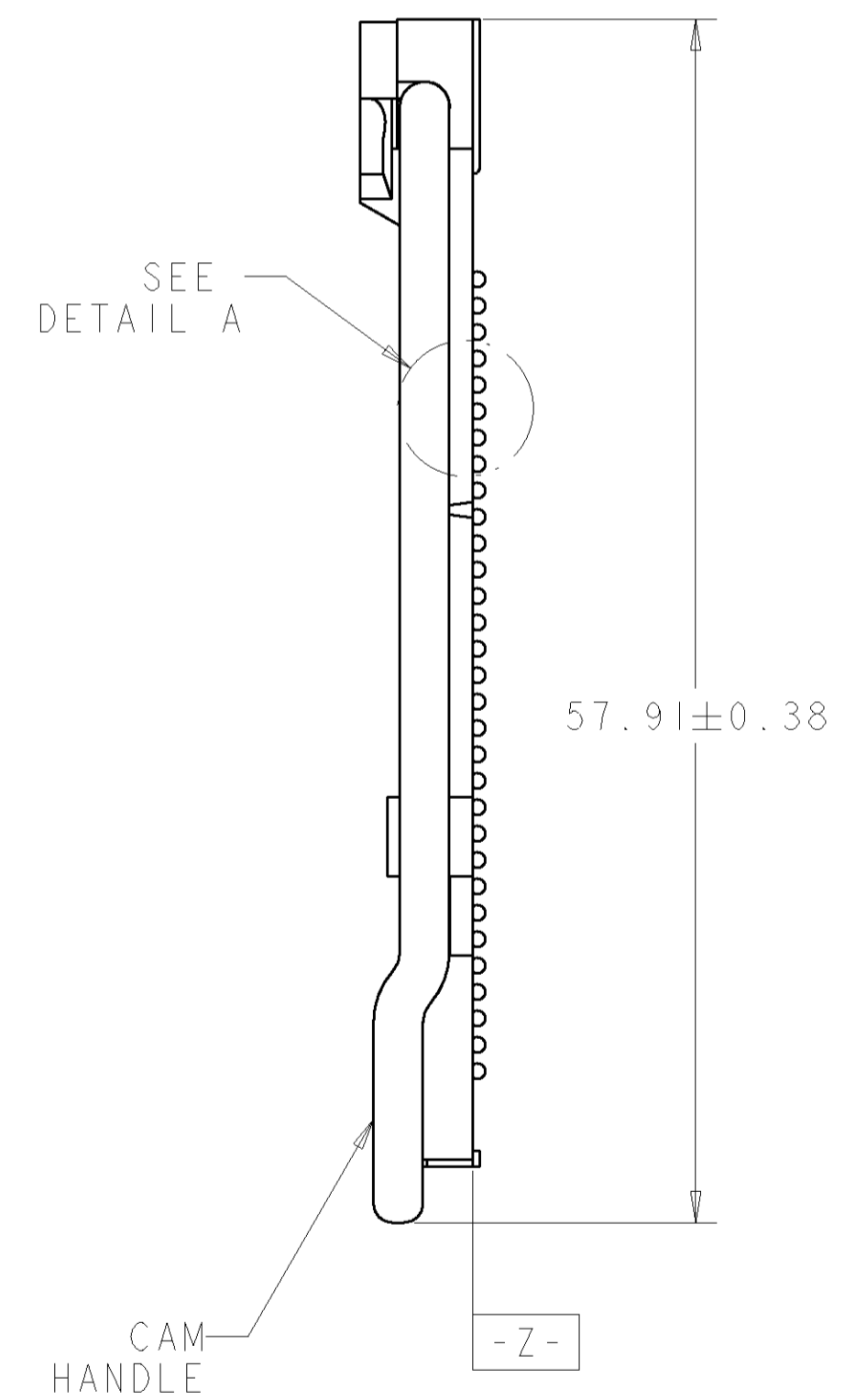
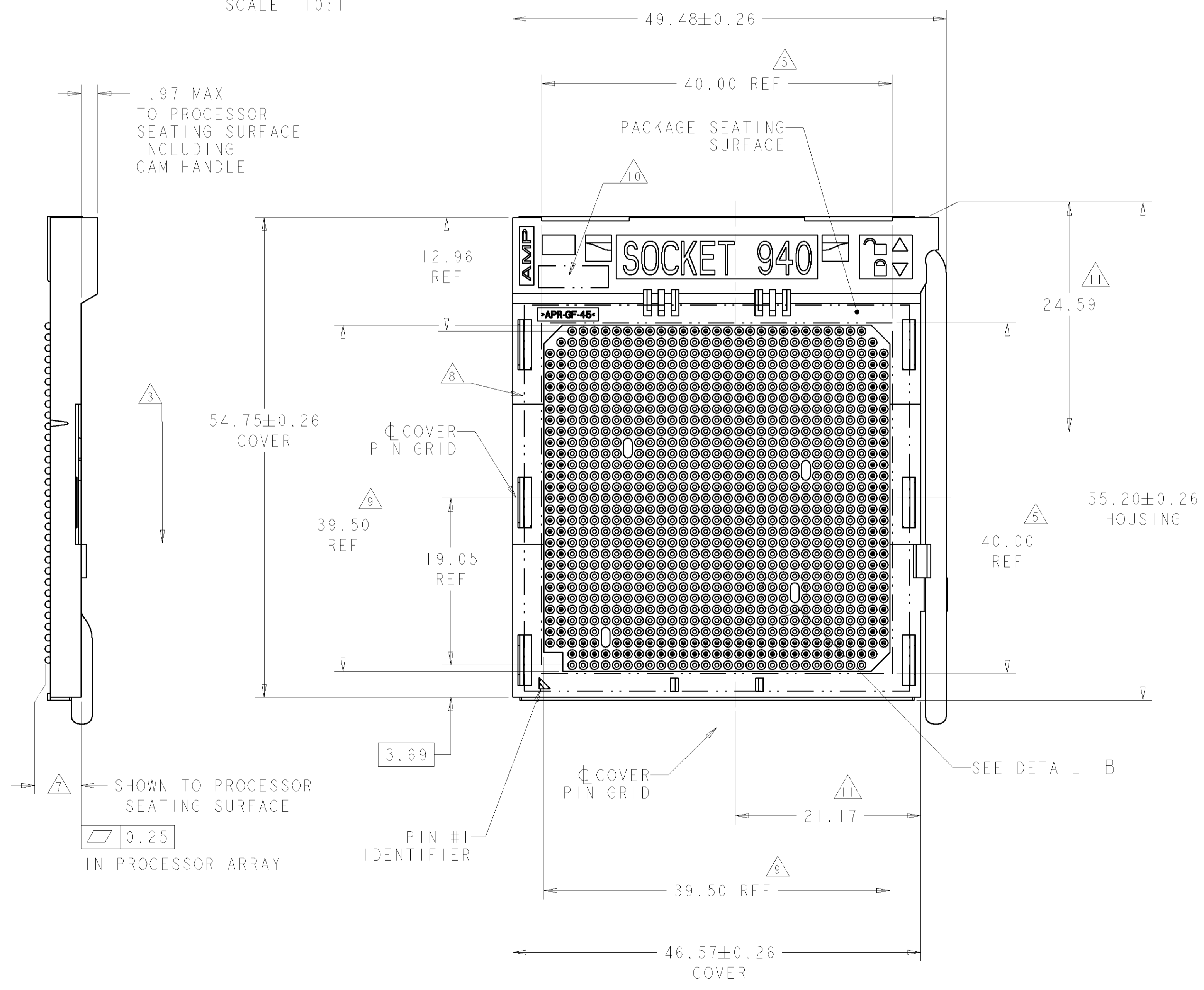


REVISONS		DATE	DWN	APVD
P. LTR	DESCRIPTION			
N	REVISED PER ECR-08-002542	29JAN2008	SYJ	LSF

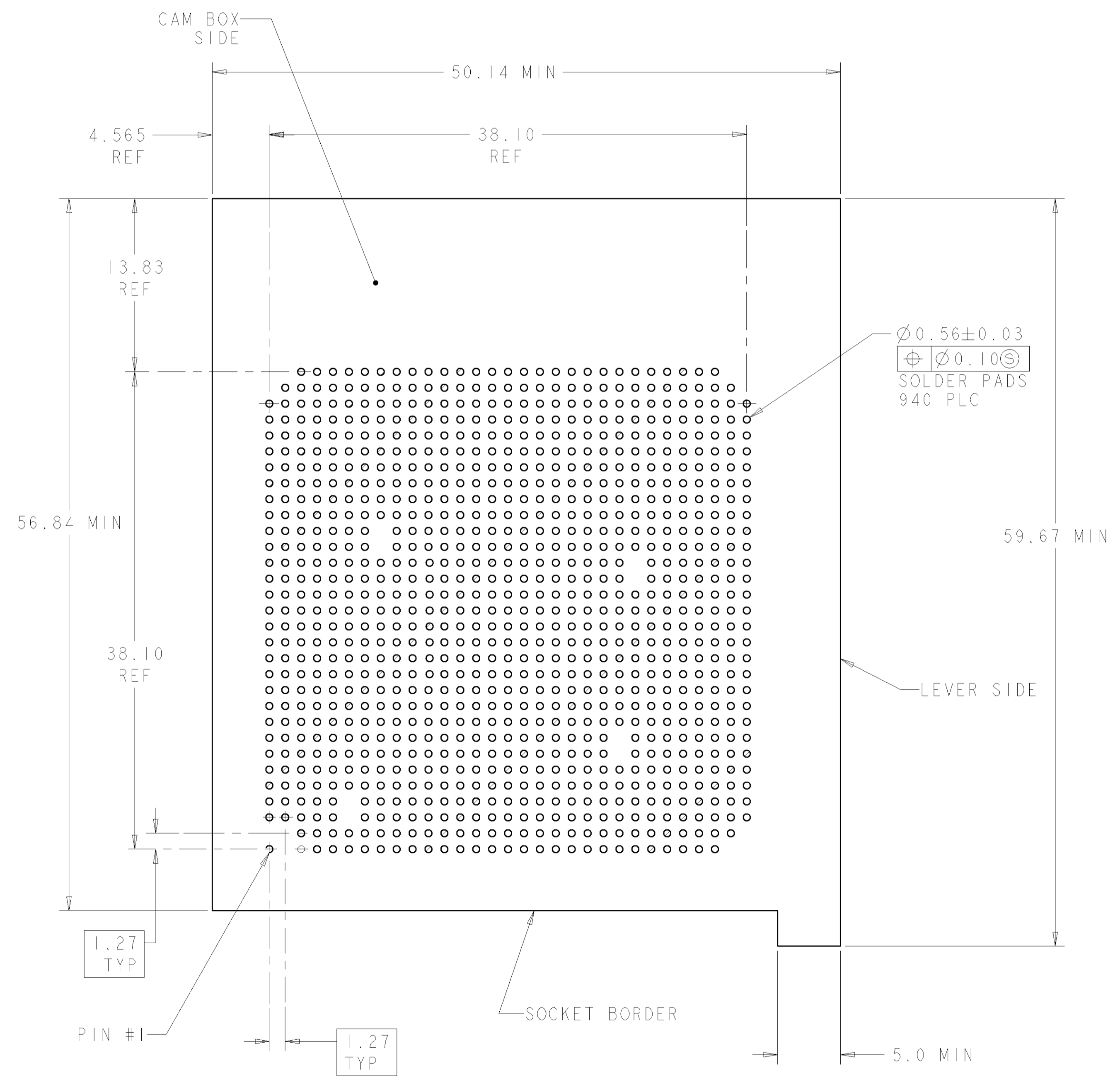


- 1 HOUSING: HIGH TEMPERATURE THERMOPLASTIC, UL94V-0, BLACK.
- 2 COVER: HIGH TEMPERATURE THERMOPLASTIC, UL94V-0, NATURAL;
- 3 CONTACT: COPPER ALLOY; HANDLE: STAINLESS STEEL.
- 4 CONTACT: 0.76µm MIN GOLD IN CONTACT AREA, OVER 1.27µm MIN NICKEL ALL OVER.
- 5 ACTUATION DIRECTION AS SHOWN 0.38 NOMINAL PROCESSOR MOVEMENT.
- 6 THIS DIMENSION FOR FRONT ROW SOLDER BALLS.
- 7 PROCESSOR OUTLINE.
- 8 SOCKET IS DESIGNED FOR SINGLE SIDE PCB APPLICATION ONLY.
- 9 SOCKET FINAL HEIGHT FROM PC BOARD TO PROCESSOR SEATING SURFACE IS, 4.35 MAX BEFORE SOLDER REFLOW AND 4.20 MAX AFTER SOLDER REFLOW.
- 10 PICK-UP TAPE COVERING ALL CIRCUIT HOLES PROVIDED FOR PICK AND PLACE EQUIPMENT. IMPORTANT: REMOVE TAPE BEFORE INSTALLING PROCESSOR.
- 11 POCKET RECESS.
- 12 DATE CODE MARKINGS APPROXIMATE AREA SHOWN.
- 13 APPROXIMATE CENTER OF GRAVITY OF SOCKET ASSEMBLY
- 14 PC BOARD LAYOUTS FOR 1489228-2, AND -3 ARE EACH DIFFERENT THAN 1489228-1 IN AREAS CIRCLED.
- 15 QUALIFICATION TEST REPORT 501-571.
- 16 PART NUMBER HAS BEEN OBSOLETE.

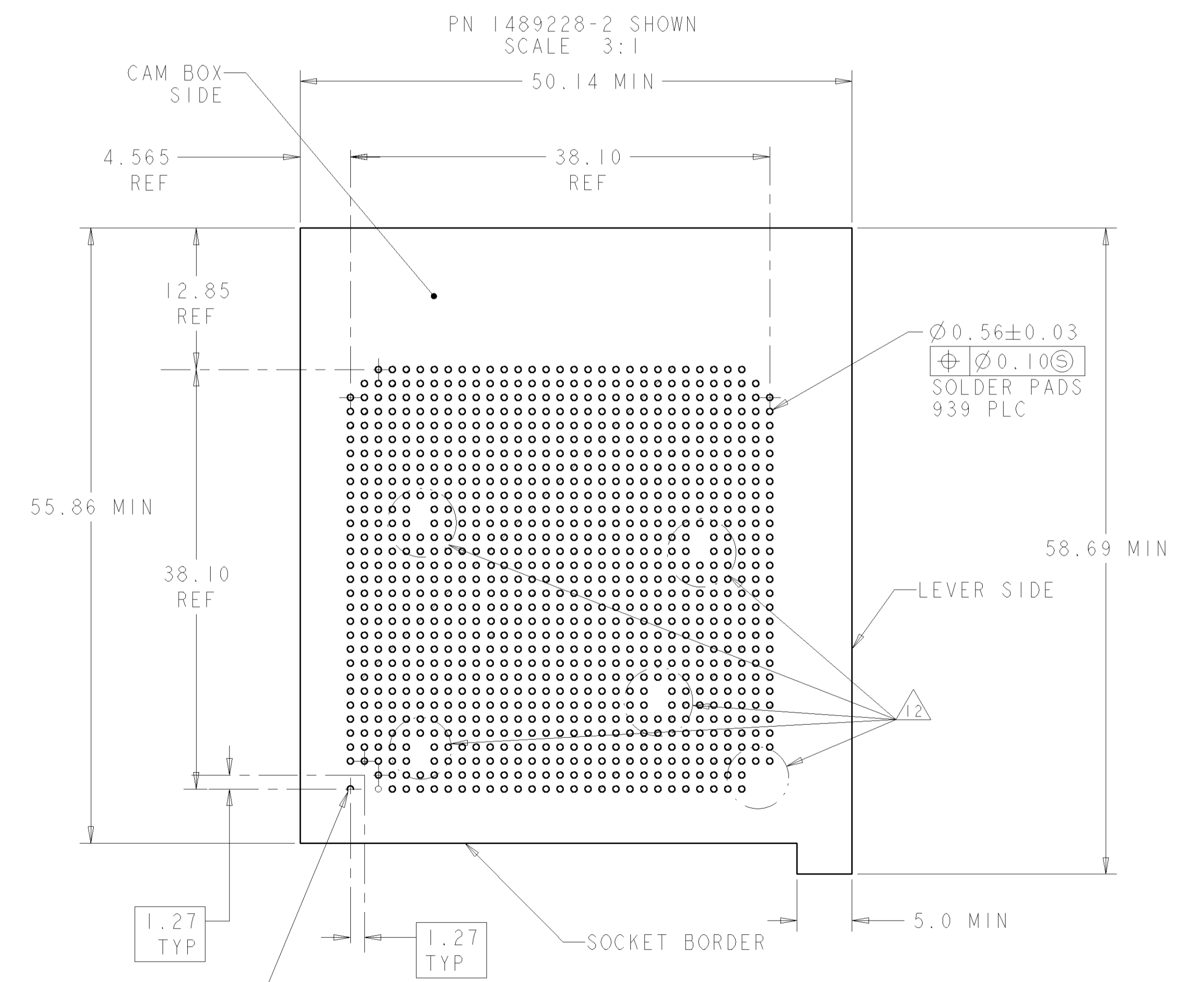
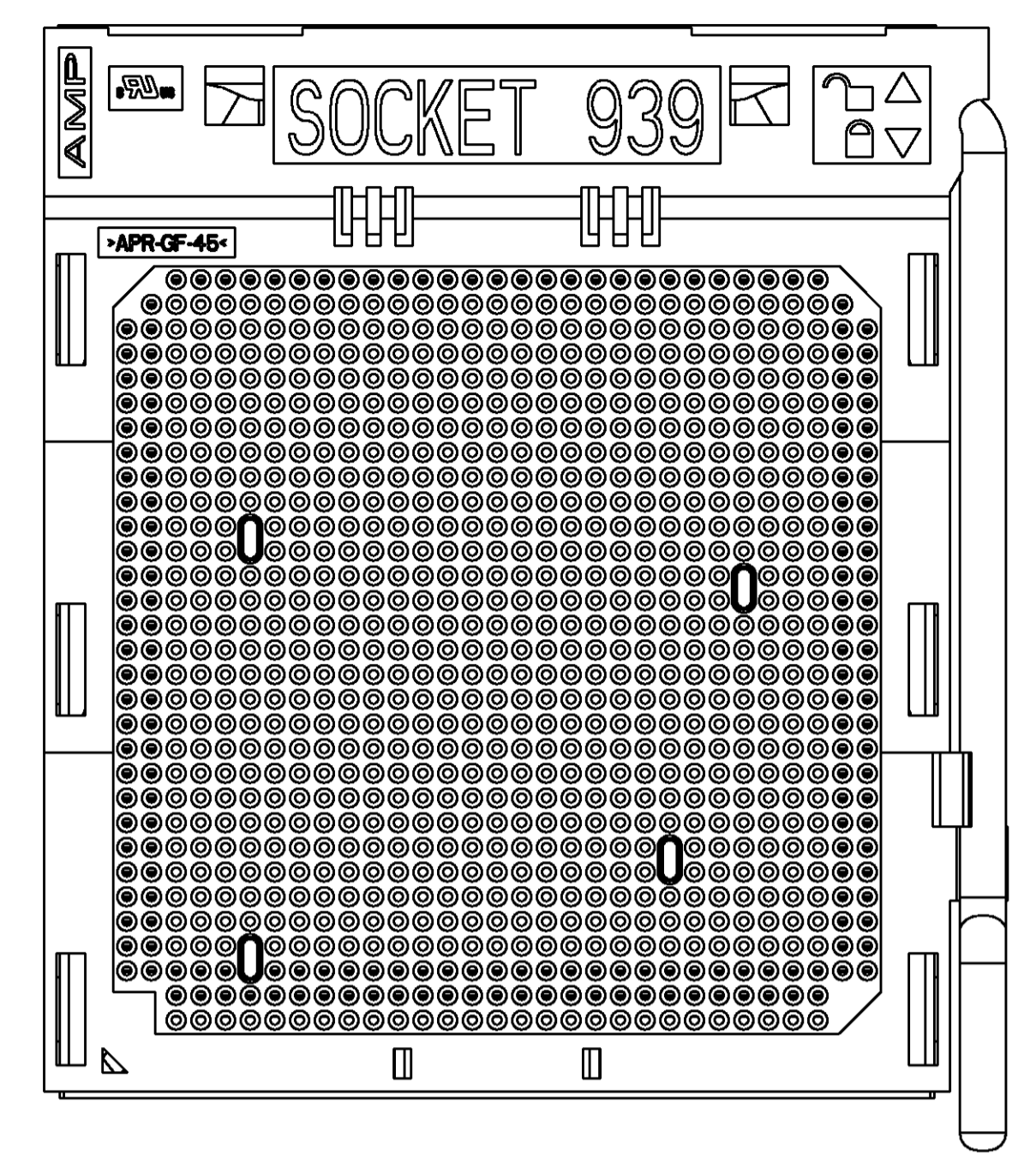


SEE VIEW AND PCB LAYOUT, SH 3	1489228-4
SEE VIEW AND PCB LAYOUT, SH 3	1489228-3
SEE VIEW AND PCB LAYOUT, SH 2	1489228-2
AS SHOWN, SH 1 AND PCB LAYOUT, SH 2	1489228-1
DESCRIPTION	PART NUMBER

DIMENSIONS: mm TOLERANCES UNLESS OTHERWISE SPECIFIED: 9 PLC ± 1 PLC ±0.13 5 PLC ±0.127 4 PLC ± ANGLES ±		DWN J. McCLINTON 25APR03 CDR B. D. KUHNLY 25APR03 APVD S. F. LEONG PRODUCT SPEC 108-51077 APPLICATION SPEC 114-13092 WEIGHT 14.1g CUSTOMER DRAWING	Tyco Electronics Corporation Singapore NAME SOCKET ASSEMBLY, 940/939 POSITION, SINGLE LEVER ACTUATED, ZIF, MICRO PGA, LD SIZE CAGE CODE DRAWING NO. 00779 C=1489228 SCALE 3:1 SHEET 1 OF 4 REV N
---	--	--	--

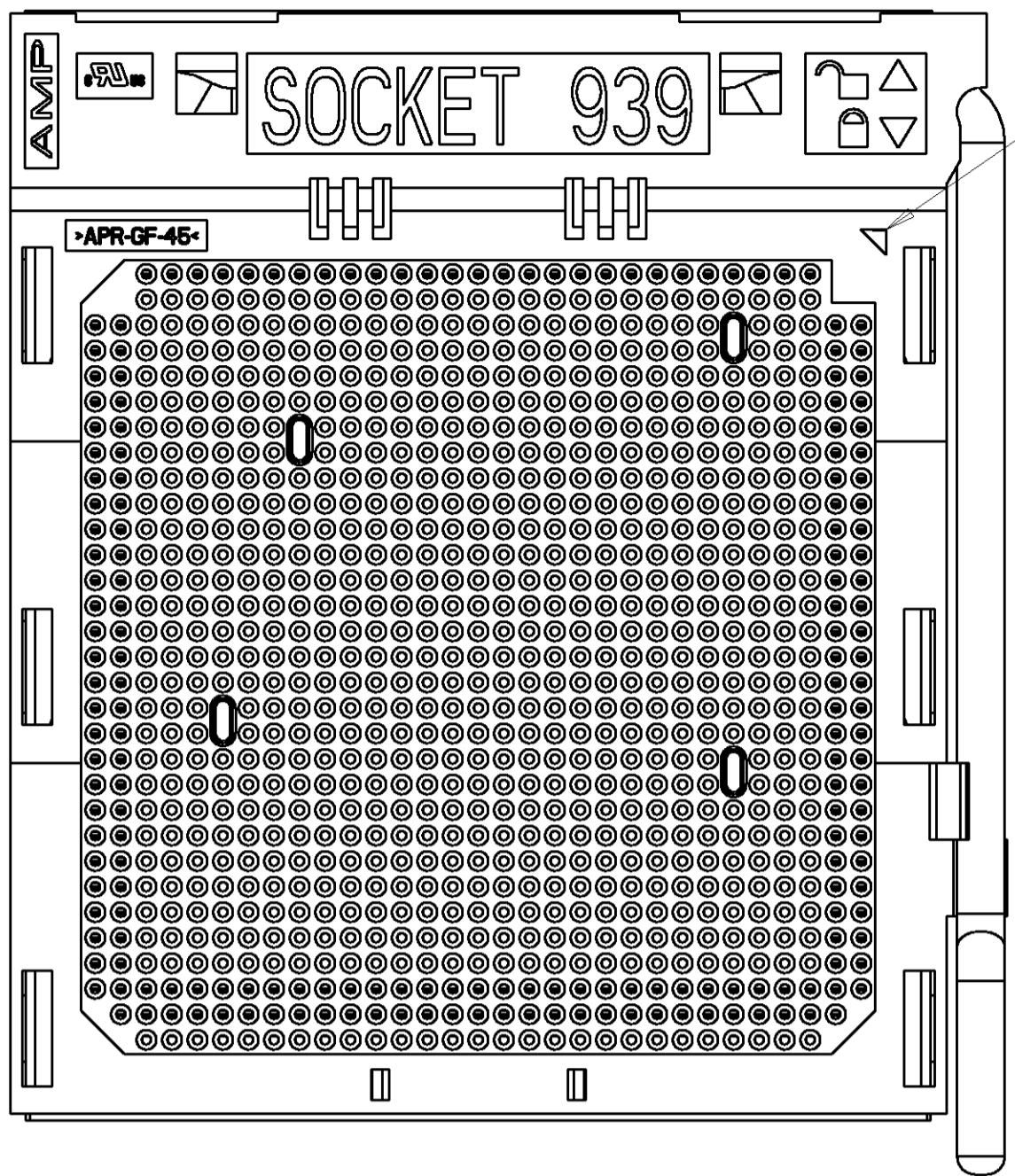


PC BOARD LAYOUT
 (FOR 1489228-1 940 POSITION ONLY)
 SCALE 4:1

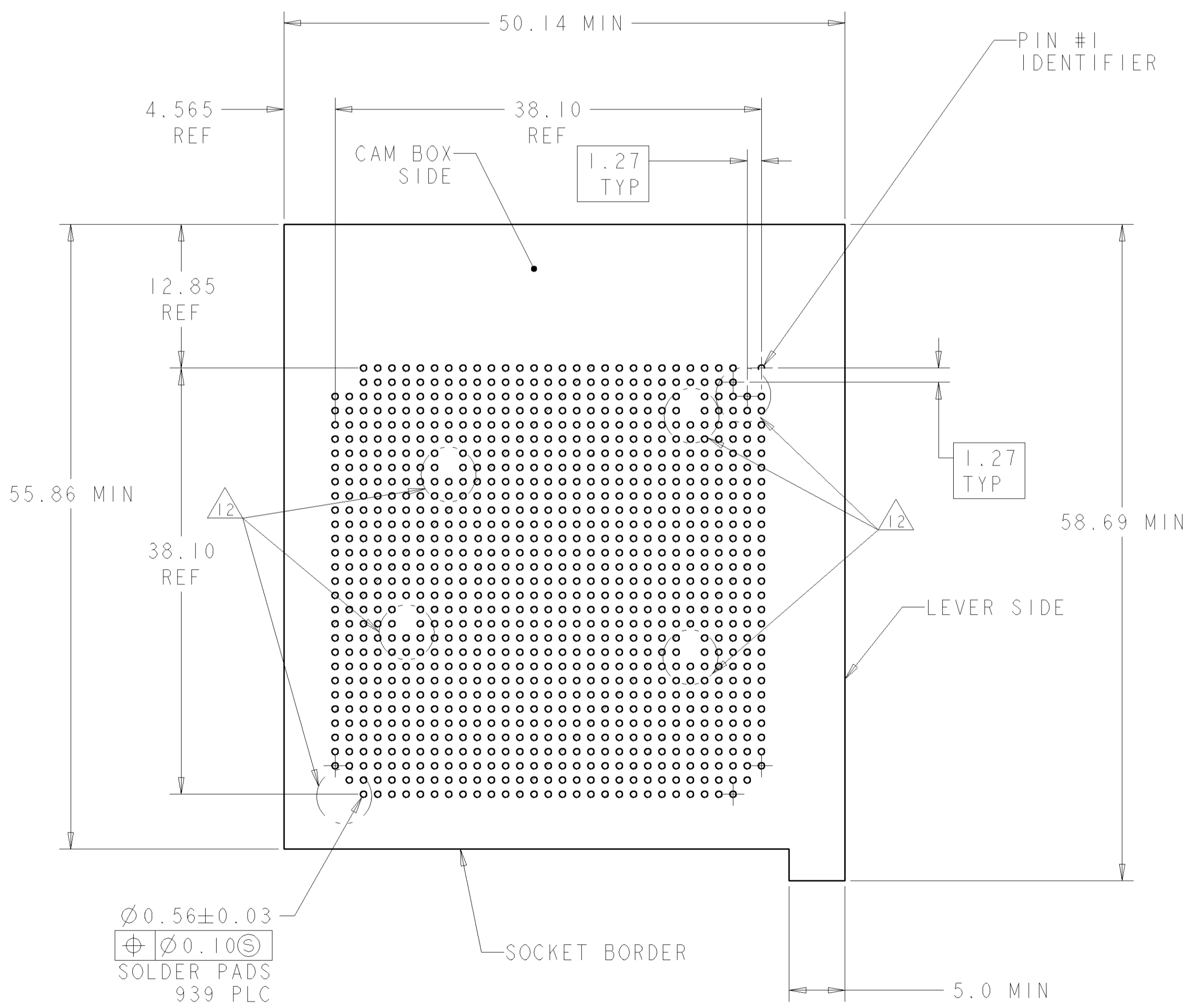


PC BOARD LAYOUT $\triangle 12$
 (FOR 1489228-2 939 POSITION ONLY)
 SCALE 3:1

DIMENSIONS: mm 		TOLERANCES UNLESS OTHERWISE SPECIFIED: 9 PLC ± 1 PLC ±0.13 3 PLC ±0.127 4 PLC ± ANGLES ±		DWN J. McCLINTON 25APR03 CDR B. D. KUHNLY 25APR03 APVD S. F. LEONG		Tyco Electronics Corporation Singapore	
MATERIAL - FINISH -		WEIGHT 14.1g		NAME SOCKET ASSEMBLY, 940/939 POSITION, SINGLE LEVER ACTUATED, ZIF, MICRO PGA, LD		SIZE CAGE CODE DRAWING NO RESTRICTED TO A1 00779 C=1489228	
CUSTOMER DRAWING				SCALE 3:1		SHEET 2 OF 4 REV N	

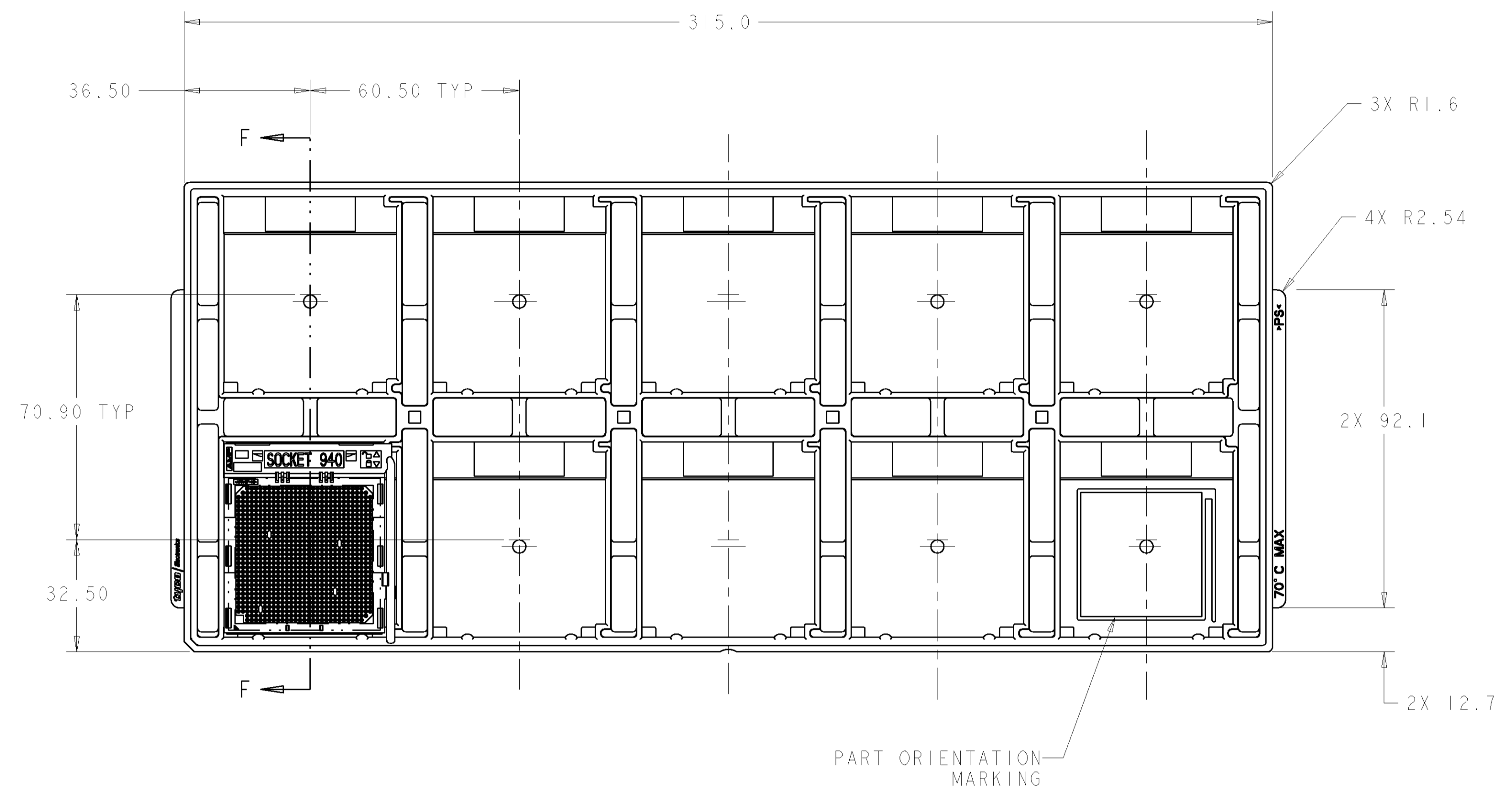


SCALE 3:1
 PN 1489228-3 SHOWN
 (SAME AS 1489228-2 EXCEPT CONTACT PATTERN
 AND POLARIZATION FEATURES ROTATED 180°)

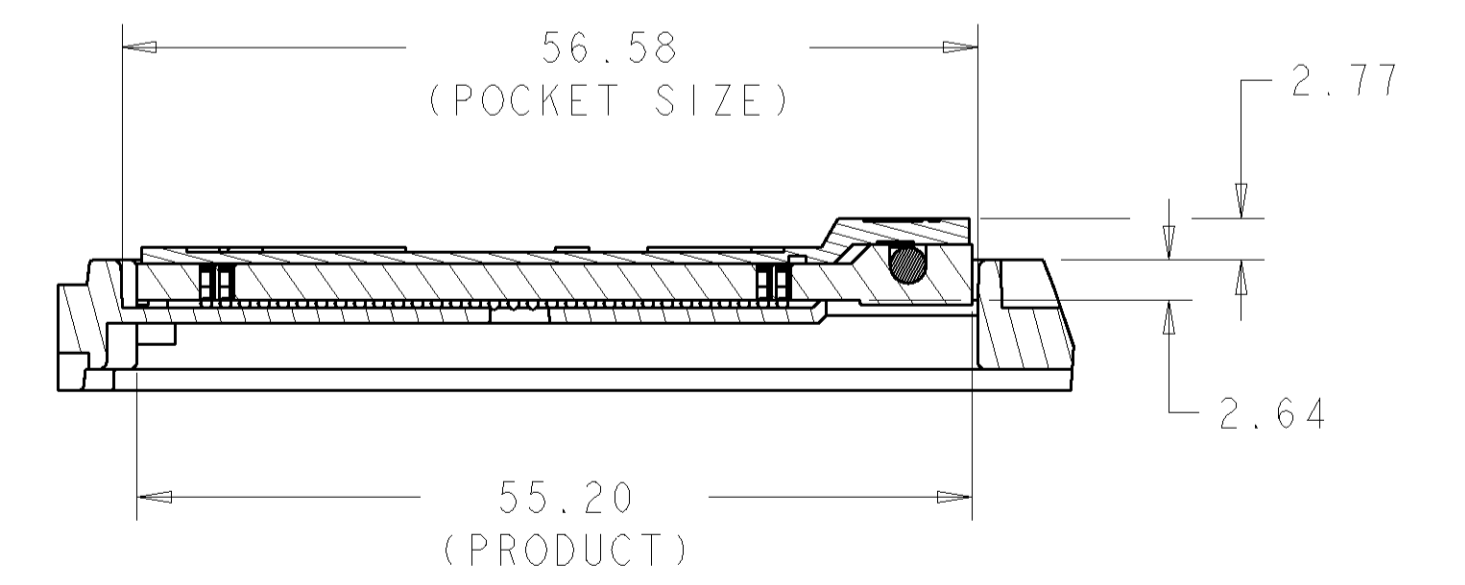
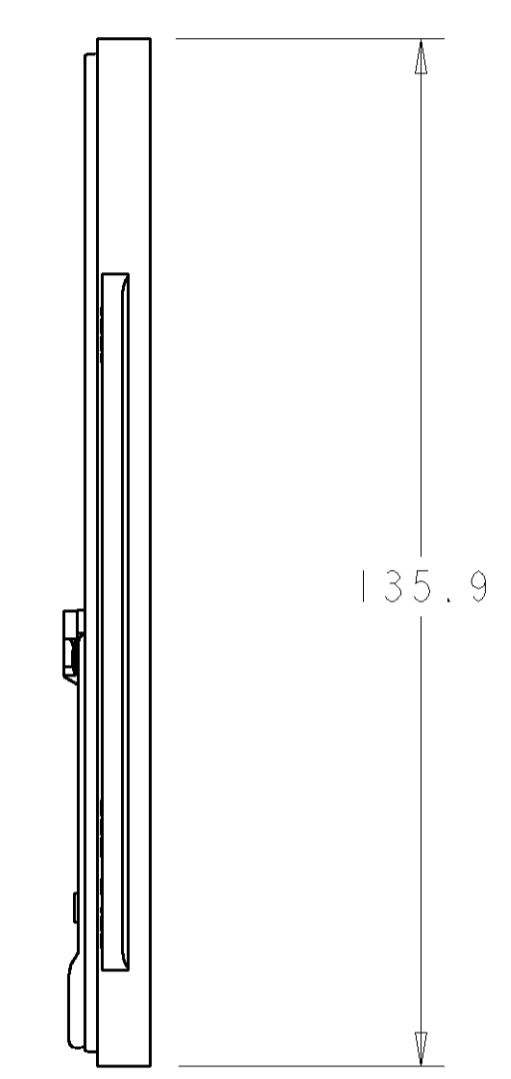
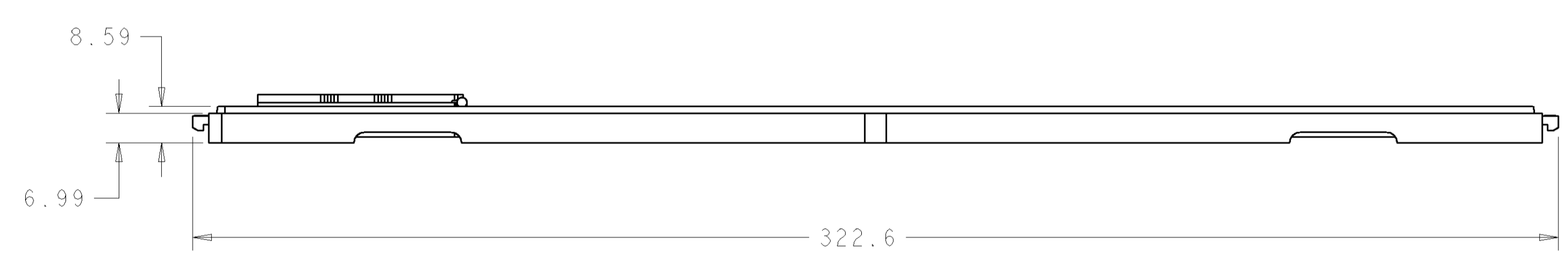


PC BOARD LAYOUT (12)
 (FOR 1489228-3 939 POSITION ONLY)
 SCALE 3:1

<small>THIS DRAWING IS UNPUBLISHED. RELEASED FOR PUBLICATION BY TYCO ELECTRONICS CORPORATION. ALL RIGHTS RESERVED.</small>		DWN J. McCLINTON 25APR03 CDR B. D. KUHNLY 25APR03 APVD S. F. LEONG	Tyco Electronics Corporation Singapore
DIMENSIONS: mm	TOLERANCES UNLESS OTHERWISE SPECIFIED: 0 PLC ± 1 PLC ± 2 PLC ±0.13 3 PLC ±0.127 4 PLC ± ANGLES ±	NAME SOCKET ASSEMBLY, 940/939 POSITION, SINGLE LEVER ACTUATED, ZIF, MICRO PGA, LD PRODUCT SPEC 108-51077 APPLICATION SPEC SIZE CAGE CODE DRAWING NO. RESTRICTED TO 114-13092 A 00779 C=1489228 WEIGHT 14.1g CUSTOMER DRAWING	SCALE 3:1 SHEET 3 OF 4 REV N



PACKAGING TRAY
SCALE 1:1



SECTION F-F
ROTATED 90°
SCALE 2:1

<small>THIS DRAWING IS UNPUBLISHED. RELEASED FOR PUBLICATION. ALL RIGHTS RESERVED. THIS IS SUBJECT TO CHANGE. SEE COMPANY AND EXISTING ORIENTATION MARKS BY CONTACTING THE CREDIT OFFICE.</small>		DWN J. McCLINTON 25APR03 CHK B. D. KUHNLY 25APR03 APVD S. F. LEONG	Tyco Electronics Corporation Singapore
DIMENSIONS: mm 	TOLERANCES UNLESS OTHERWISE SPECIFIED: 9 PLC ± 1 PLC ±0.13 3 PLC ±0.127 4 PLC ± ANGLES ±	NAME SOCKET ASSEMBLY, 940/939 POSITION, SINGLE LEVER ACTUATED, ZIF, MICRO PGA, LD PRODUCT SPEC 108-51077 APPLICATION SPEC SIZE CAGE CODE DRAWING NO. RESTRICTED TO 114-13092 A 00779 C-1489228 WEIGHT 14.1g CUSTOMER DRAWING	SCALE 3:1 SHEET 4 OF 4 REV N