

MICRO SWITCH

A DIVISION OF MINNEAPOLIS HONEYWELL REGULATOR COMPANY
FREEPORT, ILLINOIS

FED. MFR. CODE 91929

SWITCH - ENCLOSED

CATALOG LISTING
1CH28

BLACK ———> WHITE
 <—— GREEN

CIRCUIT DIAGRAM

CO
L 57370
TSK
16 MAY 85
CO
M 53259
TSK
15 APR 88
CO
N 173101
LTF
2 FEB 93
CO
P 77804
SAD
FMAY84
Q 0016449
KSR
27OCT05

1CH28

M

DRAWING NUMBER

ISSUE 16

REPLACES

RELEASE NO. SR12268

27OCT05

RJ

CHECK

4 SEPT 64

TJC

CHECK

28 SEPT 66

MBF

CHECK

4 SEPT 64

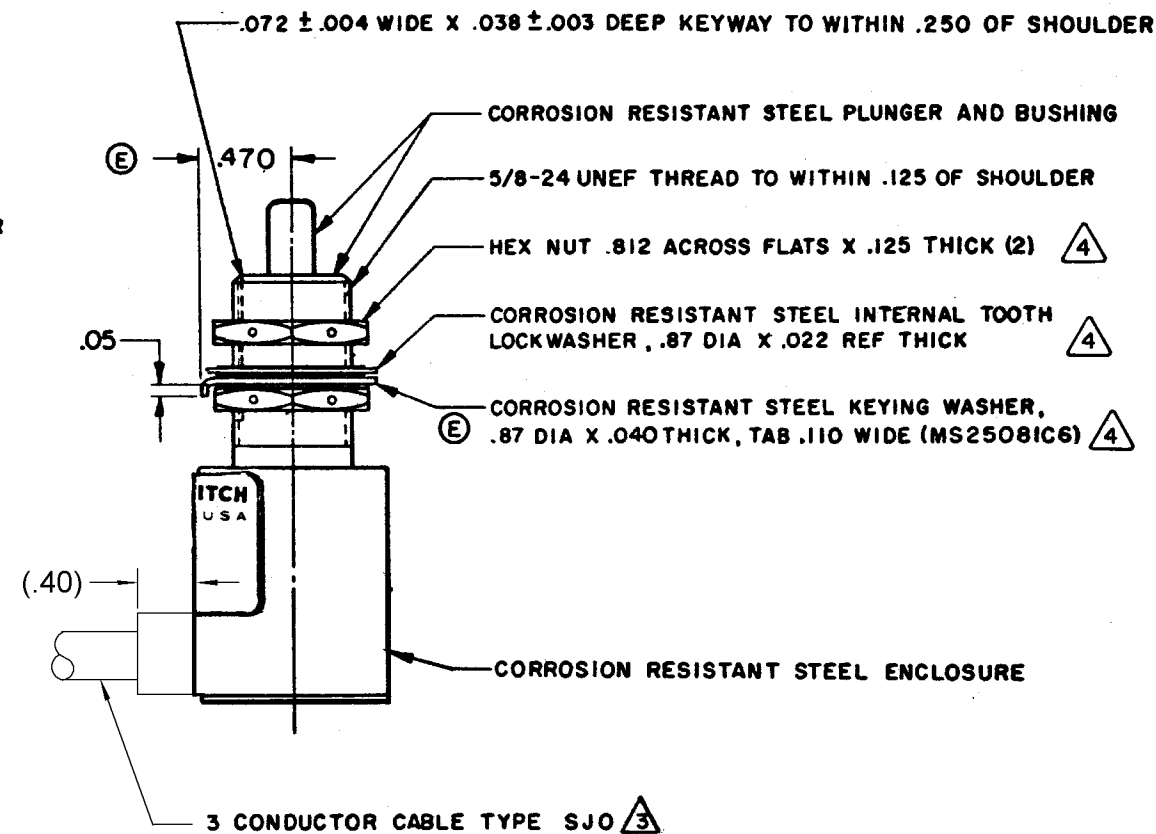
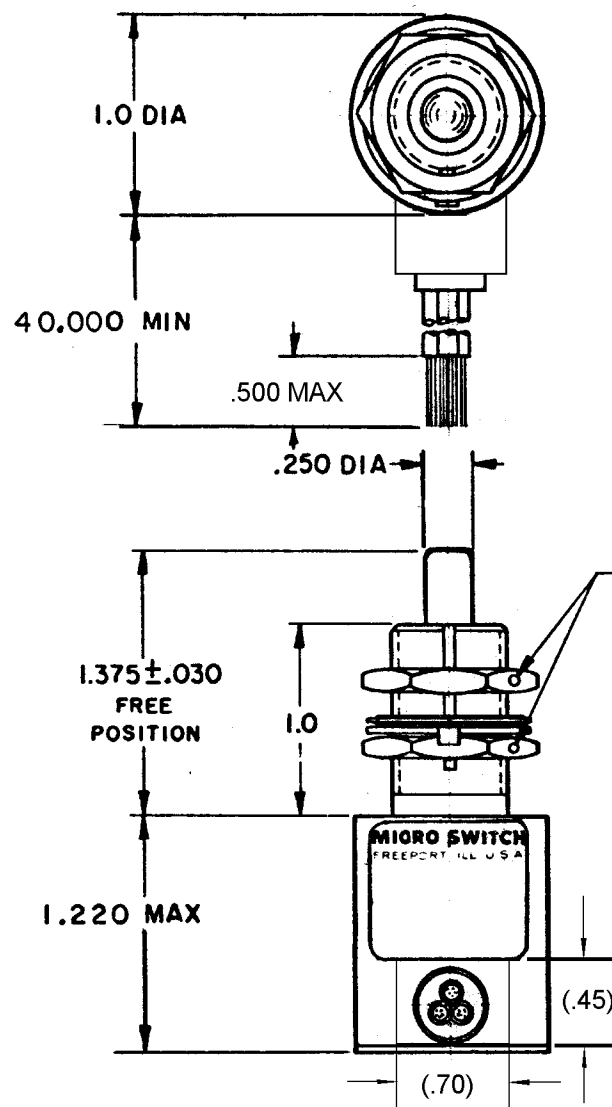
DAW

CHECK

2 SEP 64

MBF

DRAWN



REVISIONS	DATE	CHECK
A	MADE MPS MBF 12 NOV 64	4 SEPT 64
B	CO20147 MBF 5 AUG 65	TJC
C	SR12268 LSD 15 APR 66	TJC
D	CO21874 MBF 28 SEPT 66	TJC
E	CO22953 MBF 1 NOV 67	TJC
F	CO31643-8 BEN 9 OCT 74	TJC
G	CO33908 RER 4 NOV 74	TJC
H	CO-34722 JAL 7 JAN 76	TJC
J	CO44351 S.L.B 6 DEC 78	TJC
K	CO47573 J.M.J 28 JUL 80	TJC

THIS DRAWING COVERS A PROPRIETARY ITEM AND IS THE PROPERTY OF MICRO SWITCH, A DIVISION OF MINNEAPOLIS-HONEYWELL REGULATOR CO. THIS DRAWING IS NOT TO BE COPIED OR USED WITHOUT THE APPROVAL OF MICRO SWITCH.

CHARACTERISTICS	ELECTRICAL DATA	SCALE FULL
OPERATING FORCE ——— 6-12 LB	CONTACT ARRANGEMENT S P D T	DO NOT SCALE PRINT
FULL OVERTRAVEL FORCE — 30 LB MAX		UNLESS OTHERWISE SPECIFIED
RELEASE FORCE ——— 4 LB MIN		DIMENSIONS ARE IN INCHES
PRETRAVEL ——— .040 MAX	LOAD	TOLERANCES ARE:
DIFFERENTIAL TRAVEL — .020 MAX	RES	ONE PLACE (.0) 2.000
OVERTRAVEL ——— .250 MIN	IND	TWO PLACE (.00) 2.015
	MOTOR	THREE PLACE (.000) 2.005
		ANGLES 2
		WEIGHT .8.6 OZ MAX

NOTES

- 1 - SWITCH SEALED PER MIL-PRF-8805 SYMBOL 3
 - 2 - CIRCUIT DIAGRAM, CATALOG LISTING AND DATE CODE ARE SHOWN ON NAMEPLATE
- WIRE LEADS COLOR CODED TO SHOW LEAD IDENTIFICATION
HARDWARE MAY BE PACKAGED UNASSEMBLED PER MIL-PRF-8805

3
4

RASTER

0-50378.003