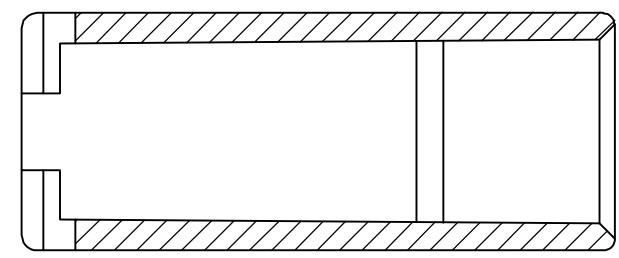


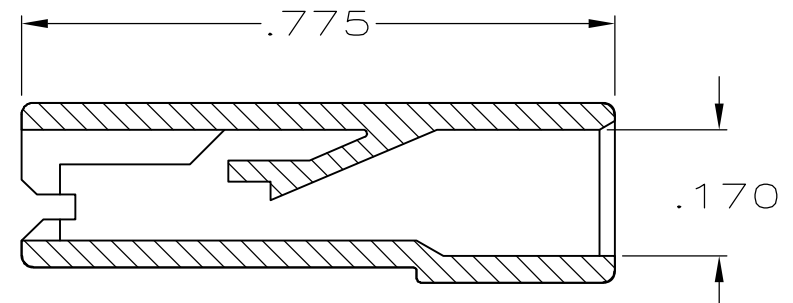
THIS DRAWING IS UNPUBLISHED. RELEASED FOR PUBLICATION  
 © COPYRIGHT BY TYCO ELECTRONICS CORPORATION. ALL RIGHTS RESERVED.

LOC	DIST	REVISIONS			
P	LTR	DESCRIPTION	DATE	DWN	APVD
AF	50	V1	REV PER ECR 05-006738	25JUL05	JR PD

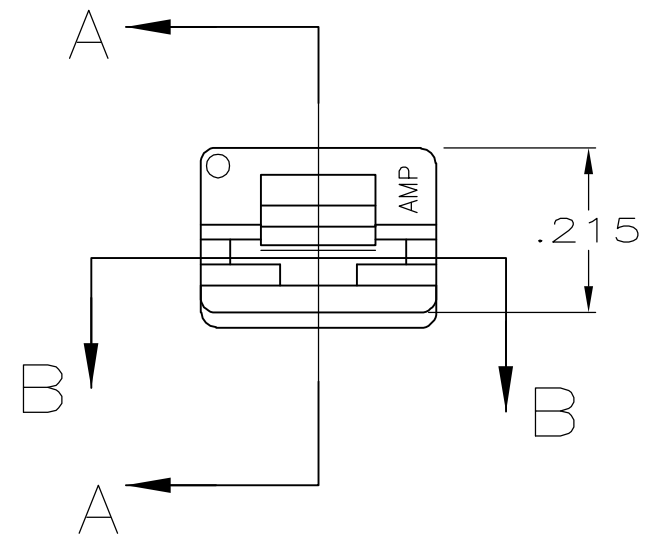
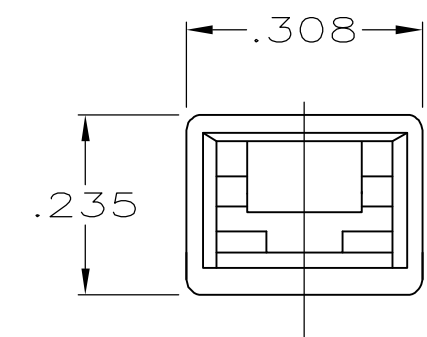
- △1 FOR FOREIGN PRODUCTION ONLY.
- △2 PRELIMINARY - NOT FOR PRODUCTION
- △3 POLYAMIDE, UL 94, V2 ACCORDING TO IEC 60335-1, GLOW WIRE.



SECTION B-B  
 ROTATED 90° CW



SECTION A-A



FINISH	MATERIAL	PART NO
NATURAL	UL94 5VA RATED	△2 2-480435-0
NATURAL	- △3	1-480435-5
NATURAL	6/6 NYLON	1-480435-4
DYED BLACK		1-480435-3
DYED RED		1-480435-2
NATURAL		1-480435-0

THIS DRAWING IS A CONTROLLED DOCUMENT.		DWN JR RUTH 2/4/91	Tyco Electronics Corporation Harrisburg, Pa 17105-3608			
DIMENSIONS: INCHES		CHK P FORTNEY 2/4/91				
		APVD R KUZO 2/4/91	NAME HOUSING, RECEPTACLE, FASTON, .187 SERIES			
TOLERANCES UNLESS OTHERWISE SPECIFIED:		PRODUCT SPEC				
MATERIAL SEE TABLE		APPLICATION SPEC	SIZE A3	CAGE CODE 00779	DRAWING NO C-480435	RESTRICTED TO
FINISH SEE TABLE		WEIGHT -	SCALE 4:1		SHEET 1 OF 1	REV V1