

CATALOG LISTING	CIRCUIT MADE WITH TOGGLE LEVER IN			ELECTRICAL DATA
	KEYWAY SIDE (1-2, 4-5)	CENTER (1-2, 5-6)	OPPOSITE KEYWAY (2-3, 5-6)	
12NT1-10	ON	ON	ON	L191 15A 125, <u>250</u> , 277 VAC 1/2HP 125 VAC 1HP <u>250</u> , 277 VAC 5A 125 VAC "L"



CATALOG LISTING 12NT1-10 SERIES CHART 1

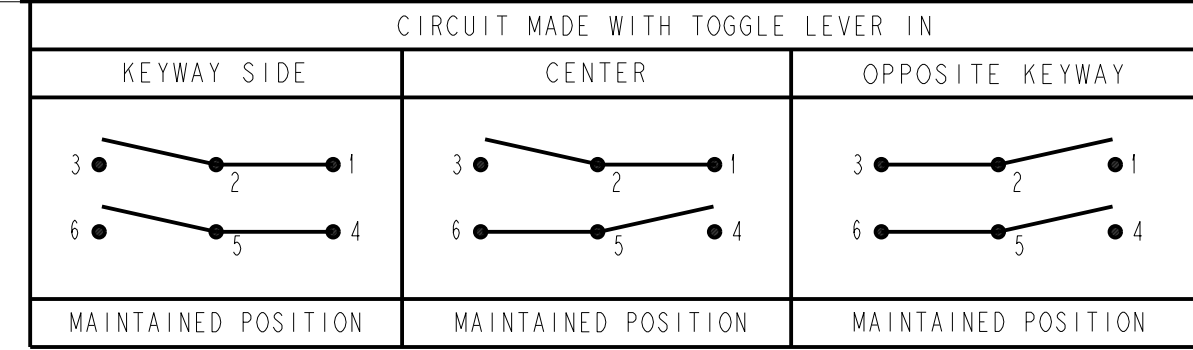
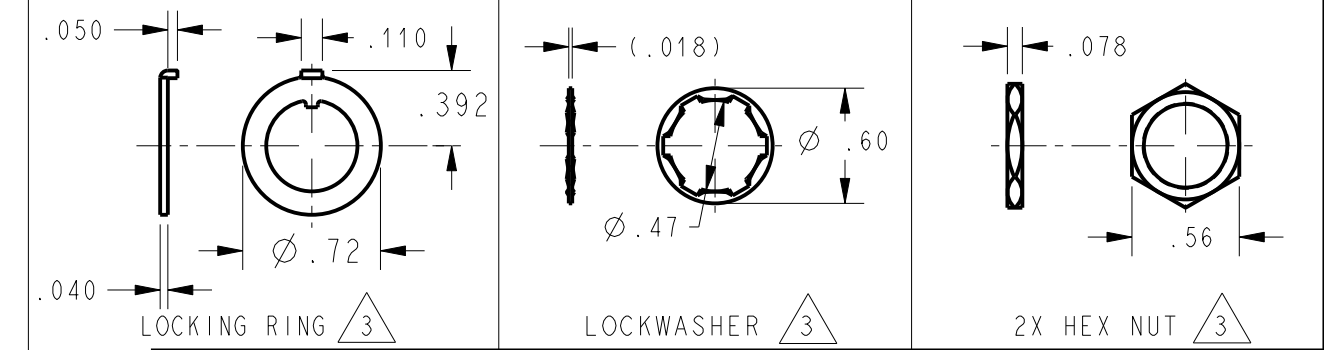
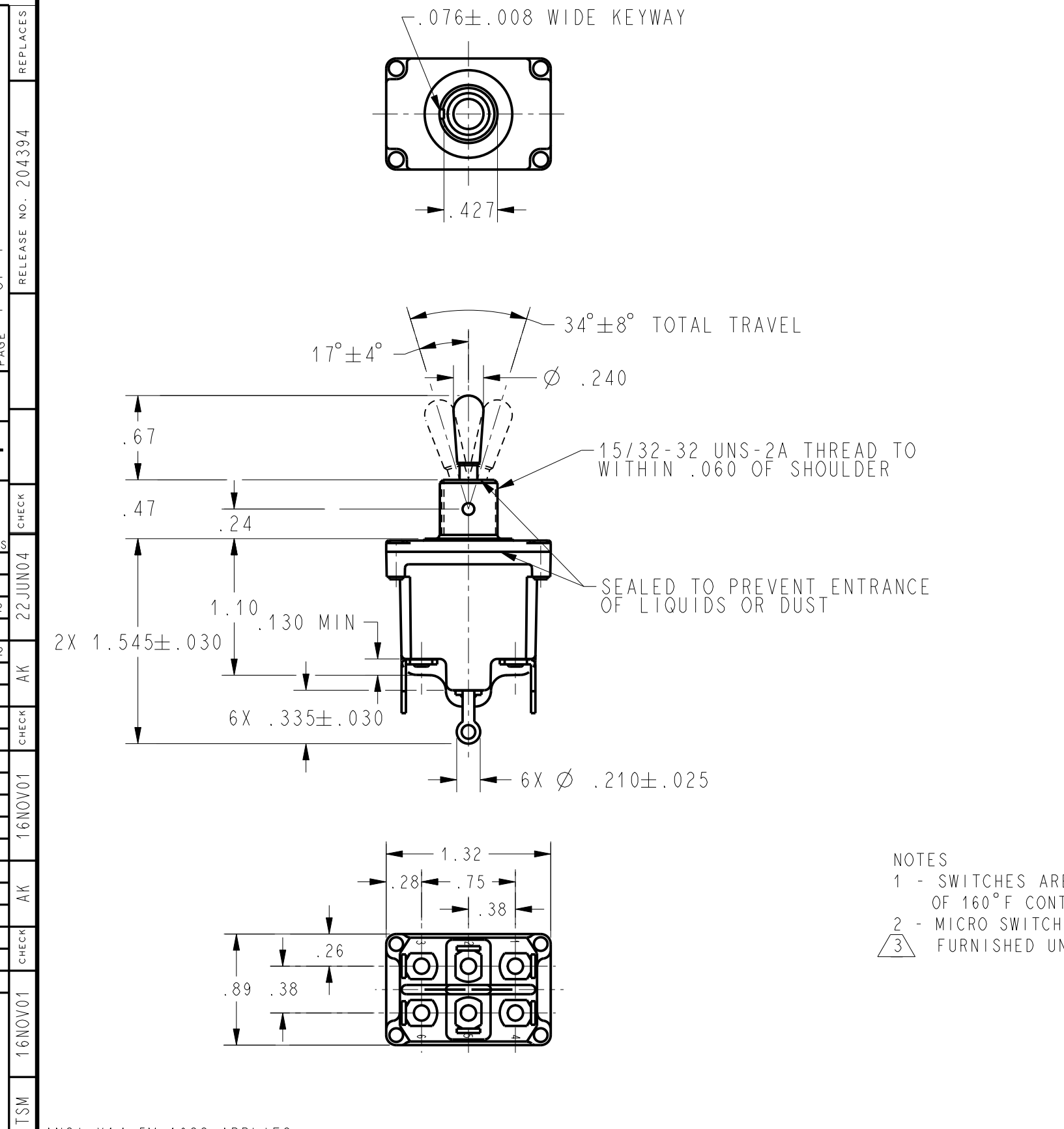
PAGE 1 OF 1

ISSUE 4

REVISIONS

A 207782
C S L
27 MAR 03
B 0002302
C S L
10 DEC 03
C 0006142
V P A
22 JUN 04

PTC/CAD 2D
DRAWN
TSM 16NOV01
CHECK
AK 16NOV01
CHECK
AK 22JUN04



NOTES
1 - SWITCHES ARE CAPABLE OF WITHSTANDING A TEMPERATURE OF 160°F CONTINUOUSLY AT FULL RATED LOAD
2 - MICRO SWITCH CAT. LIST. MARKED ON SIDE OF SWITCH
3 - FURNISHED UNASSEMBLED

THIRD ANGLE PROJECTION	
SCALE	FULL
DO NOT SCALE PRINT	
UNLESS OTHERWISE SPECIFIED TOLERANCES ARE	
ONE PLACE	(.0) ±.030
TWO PLACE	(.00) ±.015
THREE PLACE	(.000) ±.005
ANGLES	±
WEIGHT	.15 LBS APPROX