



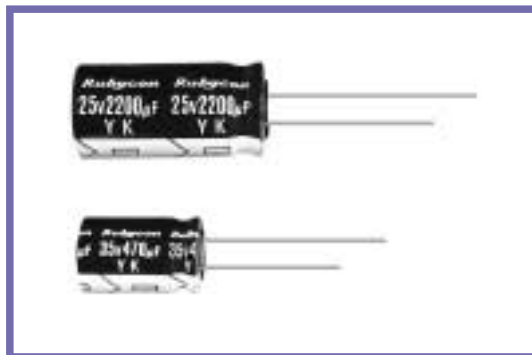
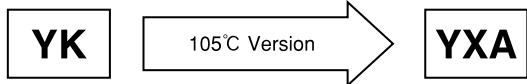
# MINIATURE ALUMINUM ELECTROLYTIC CAPACITORS YK

## YK SERIES

85°C Standard

### ◆FEATURES

- Load life : 85°C 2000 hours.



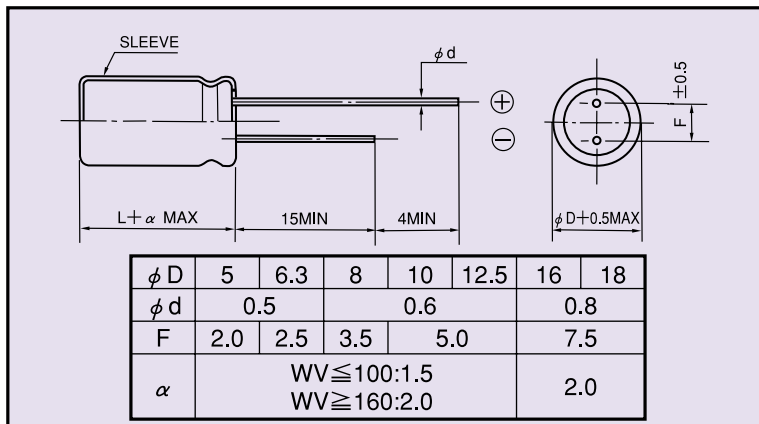
### ◆SPECIFICATIONS

Items	Characteristics																																																												
Category Temperature Range	-40~+85°C	-25~+85°C																																																											
Rated Voltage Range	6.3~250V.DC	350~450V.DC																																																											
Capacitance Tolerance	±20%(20°C, 120Hz)																																																												
Leakage Current(MAX)	6.3~100V.DC	160~450V.DC																																																											
	I=0.01CV or 3 µA whichever is greater. (After 2 minutes application of rated voltage)	CV ≤ 1000	CV > 1000																																																										
		I=0.1CV+40µA (1minute) I=0.03CV+15µA (5minutes)	I=0.04CV+100µA (1minute) I=0.02CV+25µA (5minutes)																																																										
I=Leakage Current(µA)      C=Rated Capacitance(µF)      V=Rated Voltage(V)																																																													
Dissipation Factor(MAX)	<table border="1"> <thead> <tr> <th>Rated Voltage(V)</th> <th>6.3</th> <th>10</th> <th>16</th> <th>25</th> <th>35</th> <th>50</th> <th>63</th> <th>100</th> <th>160</th> <th>200</th> <th>250</th> <th>350</th> <th>400</th> <th>450</th> <th>(20°C, 120Hz)</th> </tr> </thead> <tbody> <tr> <td>tan δ</td> <td>0.26</td> <td>0.22</td> <td>0.18</td> <td>0.16</td> <td>0.14</td> <td>0.12</td> <td>0.10</td> <td>0.08</td> <td>0.20</td> <td>0.20</td> <td>0.20</td> <td>0.20</td> <td>0.20</td> <td>0.20</td> <td></td> </tr> </tbody> </table>													Rated Voltage(V)	6.3	10	16	25	35	50	63	100	160	200	250	350	400	450	(20°C, 120Hz)	tan δ	0.26	0.22	0.18	0.16	0.14	0.12	0.10	0.08	0.20	0.20	0.20	0.20	0.20	0.20																	
	Rated Voltage(V)	6.3	10	16	25	35	50	63	100	160	200	250	350	400	450	(20°C, 120Hz)																																													
tan δ	0.26	0.22	0.18	0.16	0.14	0.12	0.10	0.08	0.20	0.20	0.20	0.20	0.20	0.20																																															
When rated capacitance is over 1000 µF, tan δ shall be added 0.02 to the listed value with increase of every 1000 µF.																																																													
Endurance	After applying rated voltage with rated ripple current for 2000hrs at 85°C, the capacitors shall meet the following requirements.																																																												
	Capacitance Change		Within ±25% of the initial value.																																																										
	Dissipation Factor		Not more than 200% of the specified value.																																																										
Low Temperature Stability Impedance Ratio(MAX)	<table border="1"> <thead> <tr> <th>Rated Voltage(V)</th> <th>6.3</th> <th>10</th> <th>16</th> <th>25</th> <th>35</th> <th>50</th> <th>63</th> <th>100</th> <th>160</th> <th>200</th> <th>250</th> <th>350</th> <th>400</th> <th>450</th> <th>(120Hz)</th> </tr> </thead> <tbody> <tr> <td>Z(-25°C)/Z(20°C)</td> <td>4</td> <td>3</td> <td>2</td> <td>2</td> <td>2</td> <td>2</td> <td>2</td> <td>2</td> <td>3</td> <td>3</td> <td>3</td> <td>5</td> <td>5</td> <td>7</td> <td></td> </tr> <tr> <td>Z(-40°C)/Z(20°C)</td> <td>8</td> <td>6</td> <td>4</td> <td>4</td> <td>3</td> <td>3</td> <td>3</td> <td>3</td> <td>-</td> <td>-</td> <td>-</td> <td>-</td> <td>-</td> <td>-</td> <td></td> </tr> </tbody> </table>													Rated Voltage(V)	6.3	10	16	25	35	50	63	100	160	200	250	350	400	450	(120Hz)	Z(-25°C)/Z(20°C)	4	3	2	2	2	2	2	2	3	3	3	5	5	7		Z(-40°C)/Z(20°C)	8	6	4	4	3	3	3	3	-	-	-	-	-	-	
	Rated Voltage(V)	6.3	10	16	25	35	50	63	100	160	200	250	350	400	450	(120Hz)																																													
	Z(-25°C)/Z(20°C)	4	3	2	2	2	2	2	2	3	3	3	5	5	7																																														
Z(-40°C)/Z(20°C)	8	6	4	4	3	3	3	3	-	-	-	-	-	-																																															
Leakage Current		Not more than the specified value.																																																											

### ◆DIMENSIONS

(mm)

### ◆MULTIPLIER FOR RIPPLE CURRENT



#### Frequency coefficient

Frequency (Hz)		60(50)	120	500	1k	10k ≤
Coefficient	0.1~1 µF	0.50	1.00	1.20	1.30	1.50
	2.2~4.7 µF	0.65	1.00	1.20	1.30	1.50
	10~47 µF	0.80	1.00	1.20	1.30	1.50
	100~1000 µF	0.80	1.00	1.10	1.15	1.20
	2200~22000 µF	0.80	1.00	1.05	1.10	1.15

### ◆PART NUMBER

