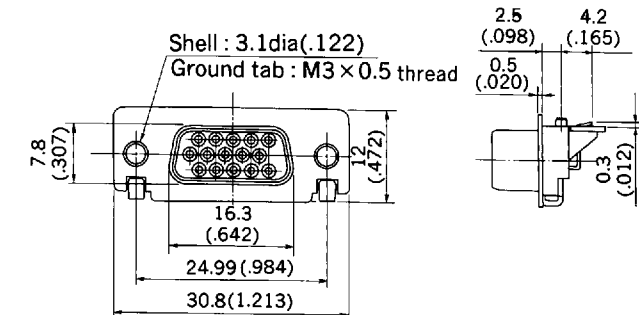


# 17HE Series



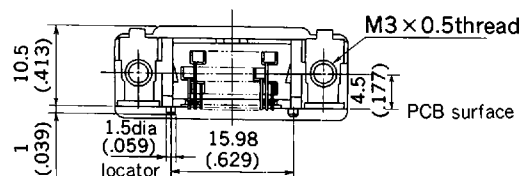
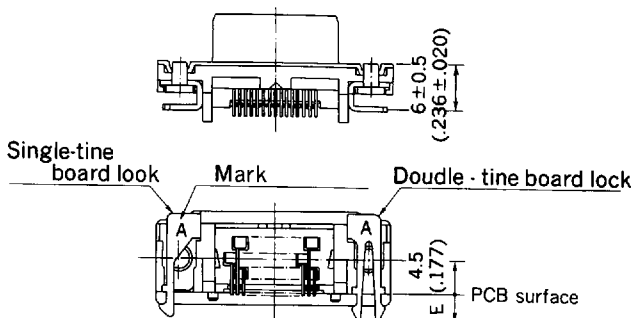
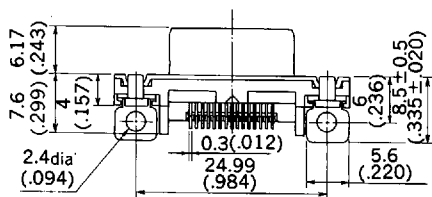
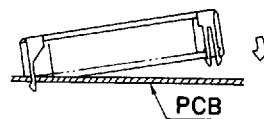
## SMT Type

Unit : mm (inch)



※ Assembly method for the connectors with single-tine board lock.

Insert single-tine board lock first, then push down double-tine board lock.

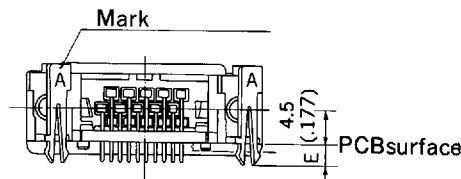
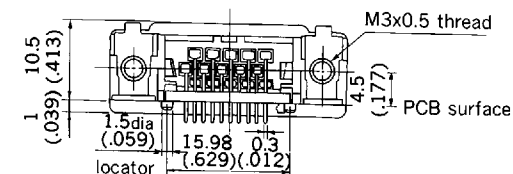
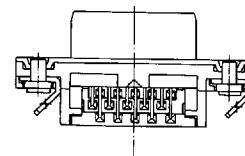
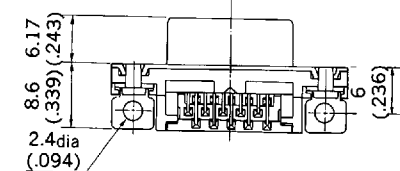
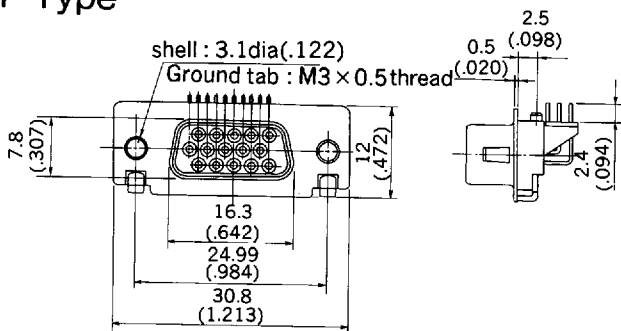


## Snap-in clip mounting type (single-tine)

## Screw mounting type (17HE-C13150-x0xxx)

Part Number	E	Mark	PCB thickness
17HE-C13150-x1xxx	4.0 (.157)	A	1.6 (.063)
17HE-C13150-x2xxx	3.6 (.142)	B	1.2 (.047)
17HE-C13150-x3xxx	3.4 (.134)	C	1.0 (.039)

## DIP Type



## Snap-in clip mounting type

## Screw mounting type (17HE-B13150-x0xx)

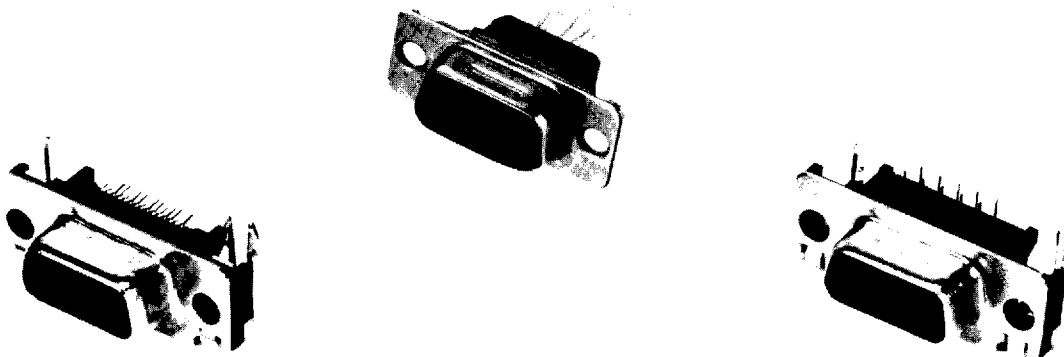
Part Number	E	Mark	PCB thickness
17HE-B13150-x4xxx	3.2 (.126)	A	1.6 (.063)
17HE-B13150-x5xxx	2.8 (.110)	B	1.2 (.047)
17HE-B13150-x6xxx	2.6 (.102)	C	1.0 (.039)

# 17HE Series



EE-17HE-1C

## SMT and short foot print through -hole High density D-Sub connectors



### FEATURES

- High density D-sub connectors ,conforming to MIL-C-24308
- 15 contacts in standard 9-contact size shell
- Short connector depth for space saving mounting -70% less space (SMT type)and 50% less space (through-hole type)compare to standard D-sub connectors
- High-temperature plastic material (PPS)for reflow soldering applications
- 2mm(.079")shorter than standard D-sub connector height
- Two connector mounting methods board lock and screw mounting

### SPECIFICATION

Rated voltage .....250V AC(r.m.s.)  
Rated current .....3A/contact  
Dielectric withstanding ...1000V AC(r.m.s.)  
voltage 1minute  
Insulation resistance .....5000M $\Omega$  min.  
at 500V DC  
Contact resistance .....20m $\Omega$  max.  
Applicable cable .....AWG#30, #28, #26  
(for plugs only) Insulator O.D.:0.8mm-1.2mm  
(.031"-.047")

### MATERIAL/FINISH

Contact .....Copper alloy/  
Gold over Nickel plate  
Shell .....Steel/Nickel plate  
Insulator .....PPS resin(UL94V-0)  
Grounding Hardware .....Copper alloy/  
Tin-Lead plate

### DDK SALES OFFICES

• DDK Ltd. (JAPAN)		
MOOKA, JAPAN	: Tel. 0285-84-7861	Fax. 0285-82-9036
KOREA	: Tel. 02-780-2251	Fax. 02-785-7661
SINGAPORE	: Tel. 271-1311	Fax. 273-6532
• DDK ELECTRONICS, INC. (U.S.A.)		
SANTA CLARA, CALIFORNIA	: Tel. 408-980-8344	Fax. 408-980-9750
CLEVELAND, OHIO	: Tel. 216-252-1522	Fax. 216-252-1523
DALLAS, TEXAS	: Tel. 214-480-8276	Fax. 214-480-8277
TORONTO (CANADA)	: Tel. 905-470-1346	Fax. 905-470-1479
• DDK ELECTRONICS (EUROPE), LTD. (LONDON)	: Tel. 0959-5-61224	Fax. 0959-5-61034
• DDK (THAILAND) LTD.	: Tel. 02-529-1428	Fax. 02-529-1427

• Specifications and/or dimensions in this catalogue are subject to change without notice.

■ 9008844 0000171 262 ■

# 17HE Series



● **Receptacle**

Unit : mm (inch)

Ordering In for motion

**17HE-C13150-73-HC1**

**CONTACT TAIL STYLE**  
 B : Dip solder tail  
 C : SMT

**CONNECTOR STYLE**  
 1 : Socket connectors

**NO.OF CONTACTS : 15**

**CONTACT PLATING**  
 6 : 0.8 $\mu$ m(31 $\mu$ )Gold over Nickel  
 7 : 0.4 $\mu$ m(16 $\mu$ )Gold over Nickel  
 8 : Gold flash over Nickel  
 Tail...Solder plating

**JACK SOCKET**  
 No designation:Without Jack socket  
 Hxx:With Jack socket  
 Kxx:With Jack socket

**HC1**  
 1:included(not assembled)  
 2:assembled

**THREAD**  
 A:M2.6 $\times$ 0.45  
 B:M3 $\times$ 0.5  
 C:#4-40UNC

**SIZE**  
 H:for Panel thickness 0.8-1.3mm  
 (.031"-.051")  
 K:for Panel thickness 0.5-0.8mm  
 (.020"-.031")

NOTE:The connectors must be securely fixed to the mounting panel with the screws to relieve the stress from mating connectors

MOUNTING STYLE		
	Type	PCB thickness
0	Through hole ground tab (SMT and DIP)	_____
1	Snap-in clip type(single-tine) (SMT)	1.6 <sup>+0.25</sup> <sub>-0.15</sub> (.063 <sup>+0.010</sup> <sub>-0.006</sub> )
2	Snap-in clip type(single-tine) (SMT)	1.2 $\pm$ 0.19 (.047 $\pm$ .007)
3	Snap-in clip type(single-tine) (SMT)	1.0 $\pm$ 0.18 (.039 $\pm$ .007)
4	Snap-in clip type (DIP)	1.6 <sup>+0.25</sup> <sub>-0.15</sub> (.063 <sup>+0.010</sup> <sub>-0.006</sub> )
5	Snap-in clip type (DIP)	1.2 $\pm$ 0.19 (.047 $\pm$ .007)
6	Snap-in clip type (DIP)	1.0 $\pm$ 0.18 (.039 $\pm$ .007)



