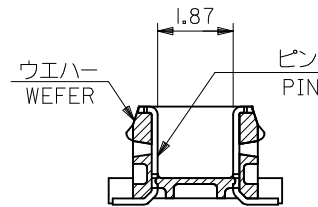
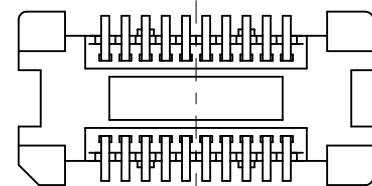


参考基板レイアウト (マウント面)

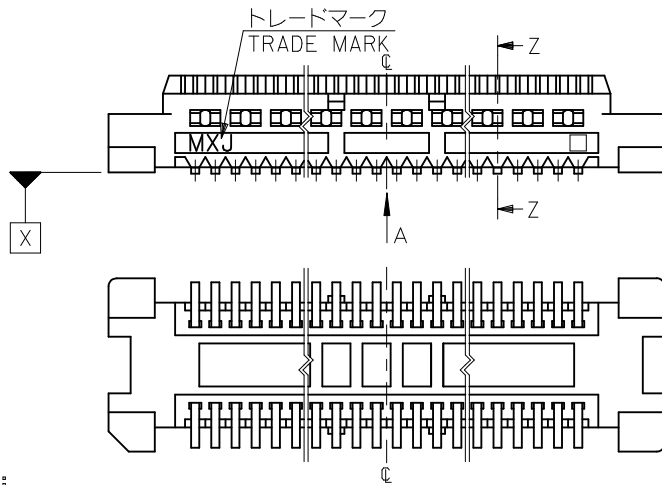
P.C. BOARD PATTERN
DIMENSION. (REF.)
(MOUNTING AREA)



SECT. Z-Z



VIEW A (CASE OF 20-30CKT)



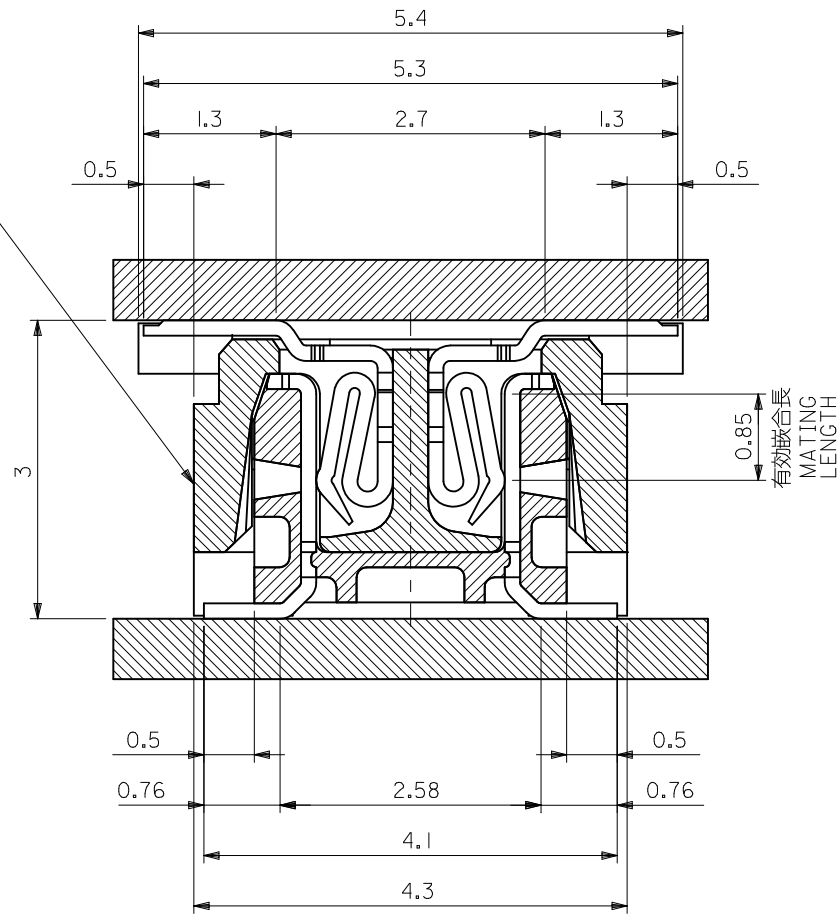
注記 NOTES:

1. 使用材料 MATERIAL
ハウジング: LCPガラス入り (白), UL94V-0
HOUSING: LCP(G.F.)(COLOR: WHITE), UL94V-0
ターミナル: 黄銅 (t=0.15)
TERMINAL: BRASS (t=0.15)
2. メッキ仕様 PLATING
全体仕上げ: 金メッキ 0.1 MICROMETER MIN.
ALL OVER: GOLD 0.1 MICROMETER MIN.
下地メッキ: ニッケルメッキ 1.5 MICROMETER MIN.
UNDER PLATING: NICKEL 1.5 MICROMETER MIN.
3. 基準面 X からのソルダーテールの半田付け面のズレ量は、上方向 0 下方向 0.15MAX. とする。
MISALIGNMENT OF SOLDER TAIL FROM X : UPPER DIRECTION 0, LOWER DIRECTION 0.15 MAX.
4. (全極数 / 2) = 偶数の場合に適用。
APPLY FOR (CIRCUIT / 2) = EVEN.
5. 嵌合相手: 52991 シリーズ 54167 シリーズ
MATE WITH: 52991 SERIES, 54167 SERIES.
6. テール平坦度は、0.1MAX.
TAIL COPLANARITY TO BE 0.1MAX.
7. ELV 及び RoHS 適合品
ELV AND RoHS COMPLIANT

| | | | | | |
|------|-------|------|-------------------------|--------------|---------------|
| 23.8 | 20.24 | 19.5 | 53748-0808 | 53748-0800 | 80 |
| 21.3 | 17.74 | 17.0 | 53748-0708 | 53748-0700 | 70 |
| 18.8 | 15.24 | 14.5 | 53748-0608 | 53748-0600 | 60 |
| 13.8 | 10.24 | 9.5 | 53748-0408 | 53748-0400 | 40 |
| 11.3 | 7.74 | 7.0 | 53748-0308 | 53748-0300 | 30 |
| 8.8 | 5.24 | 4.5 | 53748-0208 | 53748-0200 | 20 |
| C | B | A | EMBOSSED TAPE ORDER No. | MATERIAL NO. | 極数 CIRCUIT |

| | | | | | | | | |
|---|--------------------|--|------------------------|----------------------------|-------------------|---|------------------------------|---------------------|
| REVISED EC NO: J2010-1926 DRW: KTOYODA 2010/03/24 CHKD: SMARUYAMA 2010/03/26 APPR: MSASAO 2010/03/29 | DESCRIPTION REV | GENERAL TOLERANCES (UNLESS SPECIFIED) | | DIMENSION STYLE MM ONLY | SCALE 8:1 | DESIGN UNITS METRIC | THIRD ANGLE PROJECTION | |
| | | 10 UNDER ±0.2 | 10 OVER 30 UNDER ±0.25 | DRAWN BY S. AIHARA | DATE '96/2/27 | TITLE 0.5 B-TO-B CONN PLUG ASSY (W/O BOSS, W/O NAIL) | | |
| | | 30 OVER ±0.3 | ANGULAR ±3 ° | CHECKED BY M. SASAO | DATE '01/12/26 | MOLEX INCORPORATED | | |
| | | DRAFT WHERE APPLICABLE MUST REMAIN WITHIN DIMENSIONS | | APPROVED BY M. SASAO | DATE '01/12/26 | MATERIAL NO. SEE TABLE | DOCUMENT NO. SD-53748-002 | SHEET NO. 1 OF 2 |
| SIZE A3 THIS DRAWING CONTAINS INFORMATION THAT IS PROPRIETARY TO MOLEX INCORPORATED AND SHOULD NOT BE USED WITHOUT WRITTEN PERMISSION | | | | | | | | |

嵌合相手 MATE WITH
 52991-***0 (白 WHITE)
 54167-***1 (黒 BLACK)



嵌合断面図 (参考)
 MATED DRAWING (REF.)

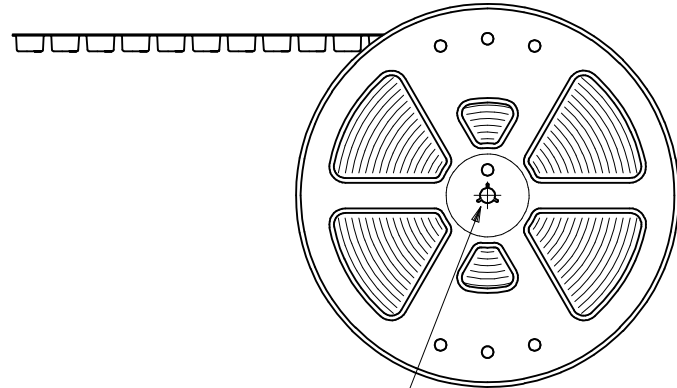
MODEL NO. 53748-***0

| | | | | | | | | | |
|---|---------------------------------------|---|----------------------------|--|---|------------------------------|------------------------|--|--|
| REVISED EC NO: J2010-1926 DRW:KTOYODA 2010/03/24 CHK:D.SMARUYAMA '01/12/26 APPR:MSASAO 2010/03/29 | GENERAL TOLERANCES (UNLESS SPECIFIED) | | DIMENSION STYLE MM ONLY | | SCALE 8:1 | DESIGN UNITS METRIC | THIRD ANGLE PROJECTION | | |
| | 10 UNDER | ± --- | DRAWN BY S. AIHARA | DATE '96/2/27 | TITLE 0.5 B-TO-B CONN PLUG ASSY (W/O BOSS ,W/O NAIL) | | | | |
| | 10 OVER 30 UNDER | ± --- | CHECKED BY M. SASAO | DATE '01/12/26 | MOLEX INCORPORATED | | | | |
| | 30 OVER | ± --- | APPROVED BY M. SASAO | DATE '01/12/26 | MATERIAL NO. SEE TABLE | DOCUMENT NO. SD-53748-002 | SHEET NO. 2 OF 2 | | |
| D | REV | ANGULAR ± --- ° DRAFT WHERE APPLICABLE MUST REMAIN WITHIN DIMENSIONS | | THIS DRAWING CONTAINS INFORMATION THAT IS PROPRIETARY TO MOLEX INCORPORATED AND SHOULD NOT BE USED WITHOUT WRITTEN PERMISSION | | | | | |

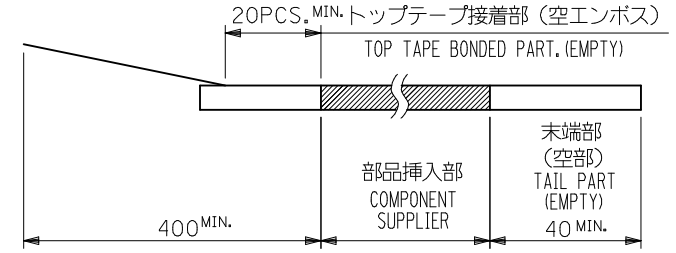
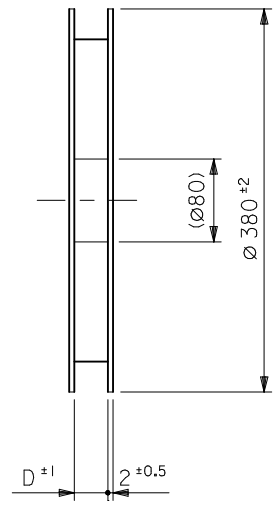
NOTES

- 製品詳細寸法については図面 SD-53748-002 を参照下さい。
RE DETAILED DIMENSION, SEE SD-53748-002
- 梱包数量：3000個/リール
NUMBER OF CONNECTORS : 3000PCS/REEL
- リードテープ長さ LEAD TAPE LENGTH

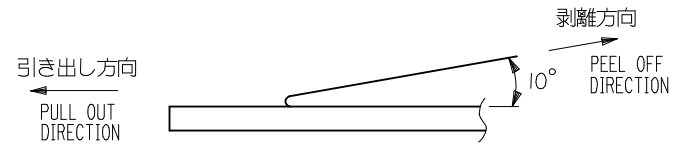
引き出し方向
PULL OUT
DIRECTION



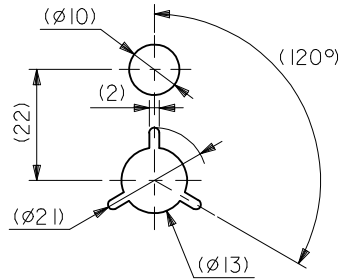
引き出し方向
PULL OUT
DIRECTION



- トップテープの剥離強度：0.1N ~ 0.7N(10.2gf ~ 71.4gf)
(剥離方向は下図参照)
尚、本規格値は出荷時に適用。(但し、輸送時に剥離が発生しないこと。)
PEELING OFF FORCE OF TOP TAPE : 0.1N ~ 0.7N(10.2gf ~ 71.4gf)
(PEELING DIRECTION AS SHOWN IN FOLLOWING FIG.)
THIS REQUIREMENT SHOULD BE APPLIED AT SHIPMENT.
PEEL OFF SHOULD NOT BE ALLOWED , DURING TRANSPORTATION.



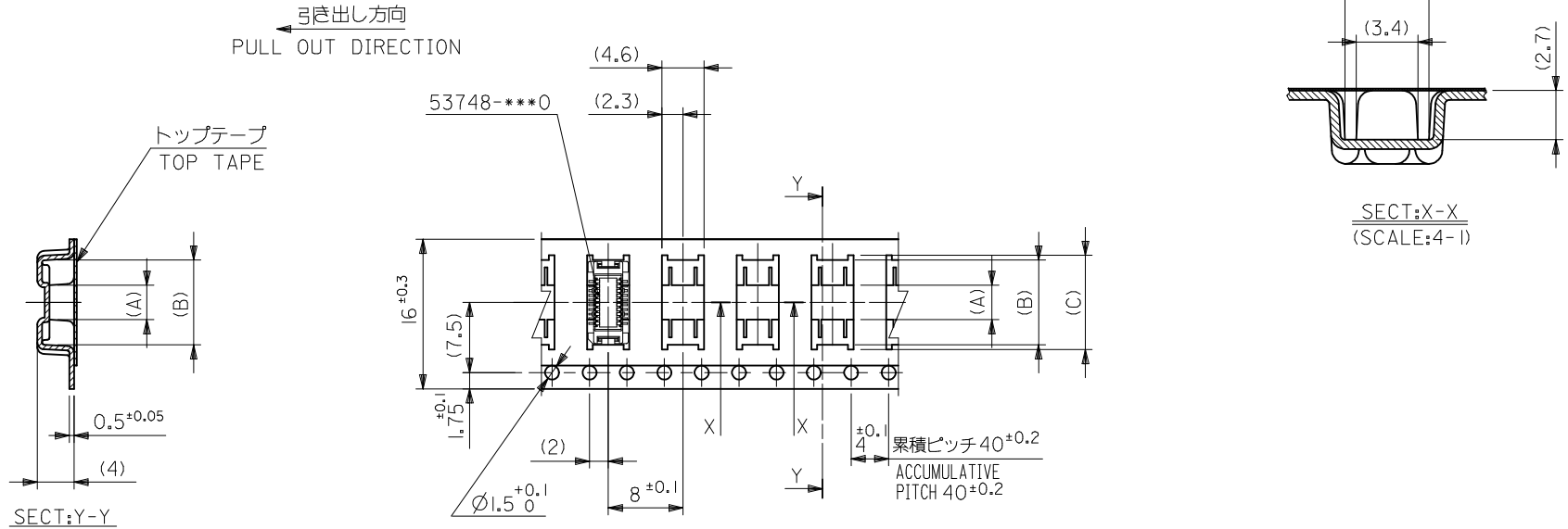
- 材料(MATERIAL)
キャリアテープ(CARRIER TAPE)：ポリプロピレン(POLYPROPYLENE)
トップテープ(TOPTAPE)：PET , PE , PEF
リール(REEL)：ポリスチレン (PS) <リサイクル材を含む>
POLYSTYREN(PS) <RECYCLE MATERIAL CONTAINED>



DETAIL "F"

MODEL NO. 53748-***8

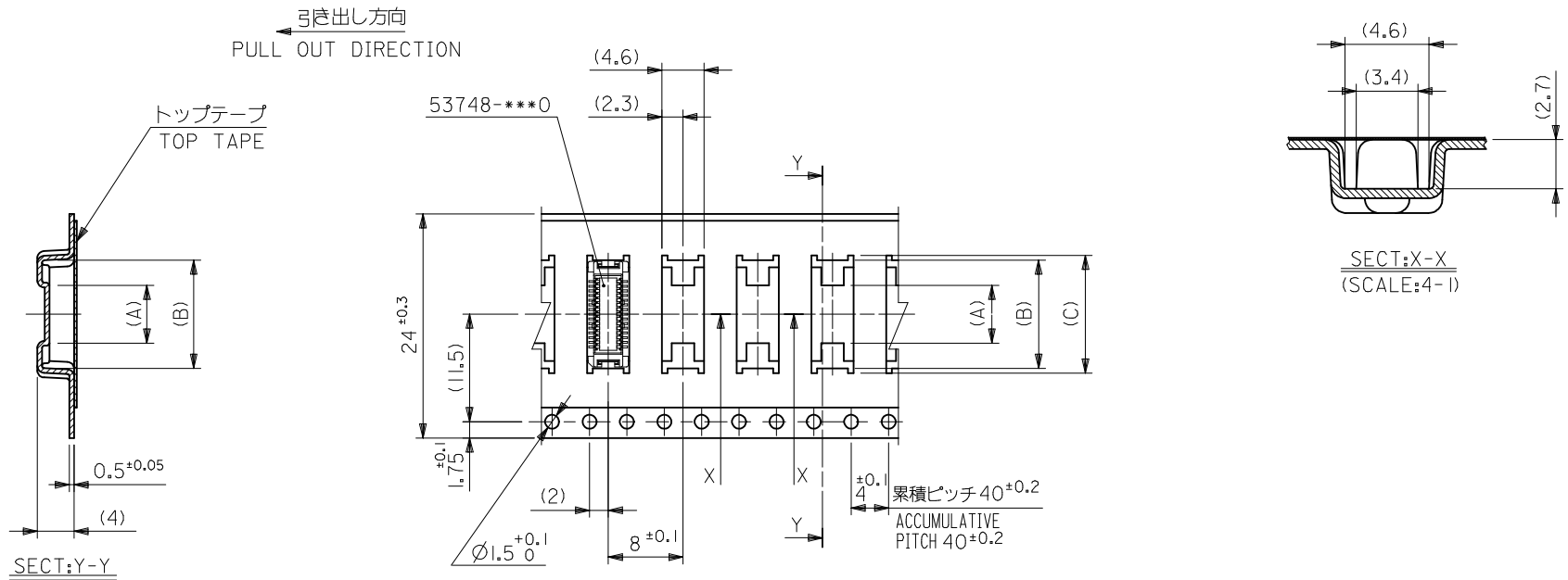
| | | | | | | | | | | |
|---|-------------|--|-------|---|-------------------|--|------------------------|------------------------|--|--|
| REVISED EC NO: J2009-0487 DRWN:NAKAMURA 2008/12/08 CHKD:T. HARUYAMA 2008/12/08 APPR:NUKITA 2009/01/09 | DESCRIPTION | GENERAL TOLERANCES (UNLESS SPECIFIED) | | DIMENSION STYLE MM ONLY | | SCALE --- | DESIGN UNITS METRIC | THIRD ANGLE PROJECTION | | |
| | | 10 UNDER | ±0.2 | DRAWN BY T. NIITSU | DATE '95/10/17 | TITLE 0.5 BTB CONN PLUG (BOSS,NAIL)EMBSTP PKG | | | | |
| | | 10 OVER 30 UNDER | ±0.25 | CHECKED BY T. ITO | DATE '01/1/23 | MOLEX INCORPORATED | | | | |
| | | 30 OVER | ±0.3 | APPROVED BY M. FUKUSHIMA | DATE '01/1/23 | DOCUMENT NO. SD-53748-005 | | | | |
| | | ANGULAR | ±3 ° | MATERIAL NO. SEE TABLE | | SHEET NO. 1 OF 5 | | | | |
| D | REV | DRAFT WHERE APPLICABLE MUST REMAIN WITHIN DIMENSIONS | | THIS DRAWING CONTAINS INFORMATION THAT IS PROPRIETARY TO MOLEX INCORPORATED AND SHOULD NOT BE USED WITHOUT WRITTEN PERMISSION | | | | | | |



16mm幅キャリアテープ
16mm WIDTH CARRIER TAPE

| | | | | | | |
|--------------------------------|------|------|-----|-----|--------------|------------|
| 16 | 17.5 | 10.1 | 9.1 | 3.7 | 53748-0208 | 20 |
| キャリアテープ幅 CARRIER TAPE WIDTH | D | (C) | (B) | (A) | MATERIAL NO. | 種数 CKT. |
| | | | | | MODEL NO. | 53748-***8 |

| | | | | | | | |
|---|---------------------------------------|---|-----------------------------|-------------------|---|------------------------|------------------------|
| REVISED EC NO: J2009-0487 DRWN:NAKAMURA 2008/12/08 CHKD:T. HARUYAMA 2008/12/08 APPR:NUKITA 2009/01/09 | GENERAL TOLERANCES (UNLESS SPECIFIED) | | DIMENSION STYLE MM ONLY | | SCALE --- | DESIGN UNITS METRIC | THIRD ANGLE PROJECTION |
| | 10 UNDER | ± --- | DRAWN BY T. NIITSU | DATE '95/10/17 | TITLE 0.5 BTB CONN PLUG(W/O BOSS W/O NAIL)EMBSTP PKG | | |
| | 10 OVER 30 UNDER | ± --- | CHECKED BY T. ITO | DATE '01/1/23 | | | |
| | 30 OVER | ± --- | APPROVED BY M. FUKUSHIMA | DATE '01/1/23 | MOLEX INCORPORATED | | |
| ANGULAR | ± --- ° | MATERIAL NO. | DOCUMENT NO. | SHEET NO. | | | |
| DRAFT WHERE APPLICABLE MUST REMAIN WITHIN DIMENSIONS | | SEE TABLE | | SD-53748-005 | | 2 OF 5 | |
| | | THIS DRAWING CONTAINS INFORMATION THAT IS PROPRIETARY TO MOLEX INCORPORATED AND SHOULD NOT BE USED WITHOUT WRITTEN PERMISSION | | | | | |

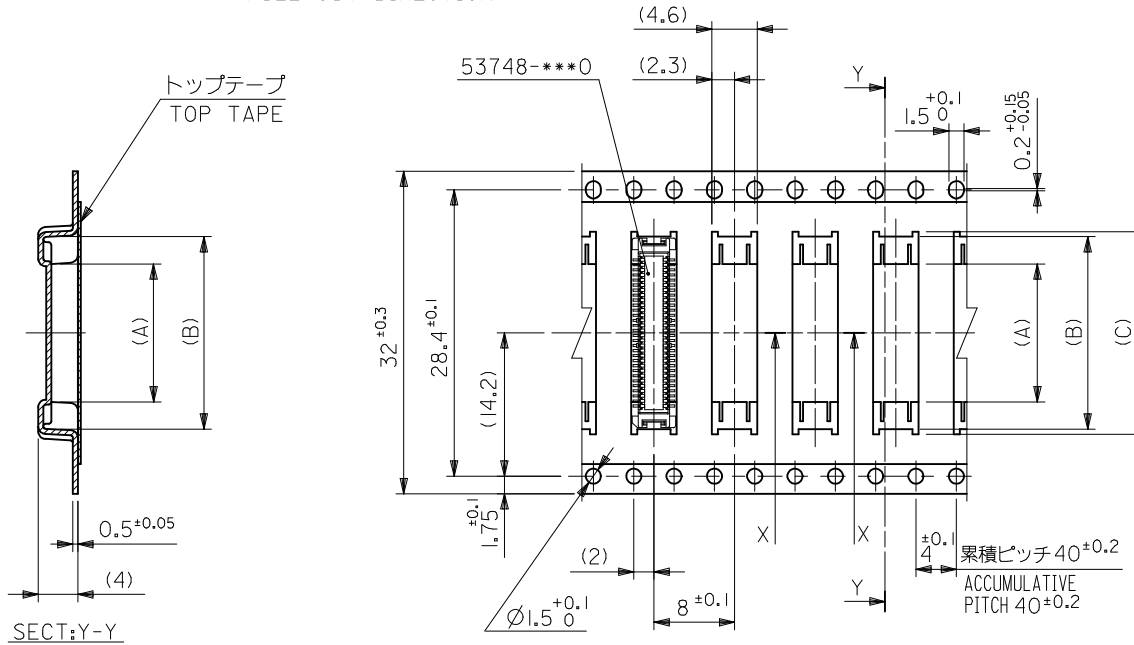


24mm幅キャリアテープ
24mm WIDTH CARRIER TAPE

| | | | | | | |
|--------------------------------|------|------|------|-----|--------------|------------|
| 24 | 25.5 | 15.1 | 14.1 | 7.4 | 53748-0408 | 40 |
| | | 12.6 | 11.6 | 4.9 | 53748-0308 | 30 |
| キャリアテープ幅 CARRIER TAPE WIDTH | D | (C) | (B) | (A) | MATERIAL NO. | 種数 CKT. |
| | | | | | MODEL NO. | 53748-***8 |

| | | | | | | | | |
|--|--|---|----------------------------|------------------|---|------------------------|------------------------------|---------------------|
| REVISED EC NO: J2009-0487 DRWN:NAKAMURA 2008/12/08 CHK'D:T. HARUYAMA 2008/12/08 APPR:NUKITA 2009/01/09 | GENERAL TOLERANCES (UNLESS SPECIFIED) | | DIMENSION STYLE MM ONLY | | SCALE --- | DESIGN UNITS METRIC | THIRD ANGLE PROJECTION | |
| | 10 UNDER | ± --- | DRAWN BY S. AIHARA | DATE '96/4/1 | TITLE 0.5 BTB CONN PLUG(W/O BOSS W/O NAIL)EMBSTP PKG | | | |
| | 10 OVER 30 UNDER | ± --- | CHECKED BY T. ITO | DATE '01/1/23 | APPROVED BY M. FUKUSHIMA '01/1/23 | | | |
| | 30 OVER | ± --- | MATERIAL NO. SEE TABLE | | MOLEX INCORPORATED | | DOCUMENT NO. SD-53748-005 | SHEET NO. 3 OF 5 |
| | ANGULAR ± --- ° | THIS DRAWING CONTAINS INFORMATION THAT IS PROPRIETARY TO MOLEX INCORPORATED AND SHOULD NOT BE USED WITHOUT WRITTEN PERMISSION | | | | | | |
| | DRAFT WHERE APPLICABLE MUST REMAIN WITHIN DIMENSIONS | | | | | | | |

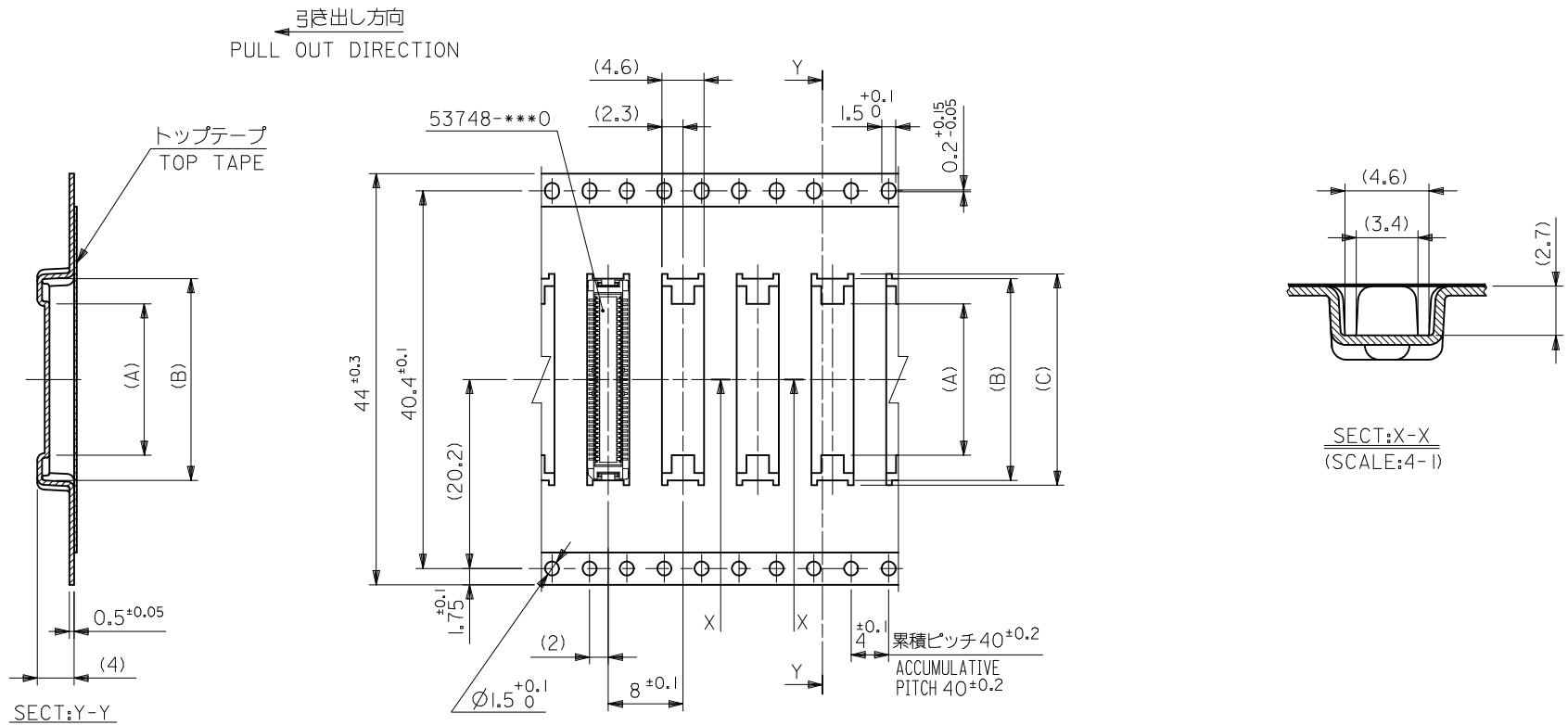
引き出し方向
PULL OUT DIRECTION



32mm幅キャリアテープ
32mm WIDTH CARRIER TAPE

| | | | | | | |
|--------------------------------|------|------|------|------|--------------|------------|
| 32 | 33.5 | 20.1 | 19.1 | 13.7 | 53748-0608 | 60 |
| キャリアテープ幅 CARRIER TAPE WIDTH | D | (C) | (B) | (A) | MATERIAL NO. | 種数 CKT. |
| | | | | | MODEL NO. | 53748-***0 |

| | | | | | | | | | |
|---|-------------|--|-------|----------------------------|-------------------|---|------------------------|------------------------|--|
| REVISED EC NO: J2009-0487 DRWN:NAKAMURA 2008/12/08 CHKD:T. HARUYAMA 2008/12/08 APPR:NUKITA 2009/01/09 | DESCRIPTION | GENERAL TOLERANCES (UNLESS SPECIFIED) | | DIMENSION STYLE MM ONLY | | SCALE --- | DESIGN UNITS METRIC | THIRD ANGLE PROJECTION | |
| | | 10 UNDER | ± --- | DRAWN BY S. AIHARA | DATE '95/11/13 | TITLE 0.5 BTB CONN PLUG (W/O BOSS W/O NAIL)ENBSTP PKG | | | |
| | | 10 OVER 30 UNDER | ± --- | CHECKED BY T. ITO | DATE '01/11/23 | APPROVED BY M. FUKUSHIMA '01/11/23 | | | |
| | | 30 OVER | ± --- | MATERIAL NO. SEE TABLE | | DOCUMENT NO. SD-53748-005 | | SHEET NO. 4 OF 5 | |
| REV | | ANGULAR ± --- ° | | SIZE A3 | | THIS DRAWING CONTAINS INFORMATION THAT IS PROPRIETARY TO MOLEX INCORPORATED AND SHOULD NOT BE USED WITHOUT WRITTEN PERMISSION | | | |
| | | DRAFT WHERE APPLICABLE MUST REMAIN WITHIN DIMENSIONS | | | | | | | |



44mm幅キャリアテープ
44mm WIDTH CARRIER TAPE

| | | | | | | |
|--------------------------------|------|------|------|------|--------------|------------|
| 44 | 45.5 | 25.1 | 24.1 | 18.7 | 53748-0808 | 80 |
| | | 22.6 | 21.6 | 16.2 | 53748-0708 | 70 |
| キャリアテープ幅 CARRIER TAPE WIDTH | D | (C) | (B) | (A) | MATERIAL NO. | 種数 CKT. |
| | | | | | MODEL NO. | 53748-***8 |

| | | | | | | | | | | |
|---|---|---|--|----------------------------|--|---|------------------------|------------------------------|--|---------------------|
| REVISED EC NO: J2009-0487 DRWN:NAKAMURA 2008/12/08 CHKD:T. HARIYAMA 2008/12/08 APPR:NUKITA 2009/01/09 | DESCRIPTION 10 UNDER ± --- 10 OVER 30 UNDER ± --- 30 OVER ± --- ANGULAR ± --- ° DRAFT WHERE APPLICABLE MUST REMAIN WITHIN DIMENSIONS | GENERAL TOLERANCES (UNLESS SPECIFIED) | | DIMENSION STYLE MM ONLY | | SCALE --- | DESIGN UNITS METRIC | THIRD ANGLE PROJECTION | | |
| | | DRAWN BY T. YASUI | | DATE '96/4/16 | | TITLE 0.5 BTB CONN PLUG(W/O BOSS W/O NAIL)EMBSTP PKG | | | | |
| | | CHECKED BY T. ITO | | DATE '01/1/23 | | MOLEX INCORPORATED | | | | |
| | | APPROVED BY M. FUKUSHIMA | | DATE '01/1/23 | | MATERIAL NO. SEE TABLE | | DOCUMENT NO. SD-53748-005 | | SHEET NO. 5 OF 5 |
| SIZE A3 | | THIS DRAWING CONTAINS INFORMATION THAT IS PROPRIETARY TO MOLEX INCORPORATED AND SHOULD NOT BE USED WITHOUT WRITTEN PERMISSION | | | | | | | | |