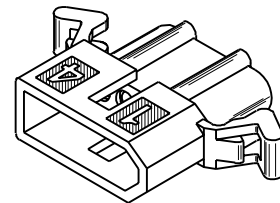
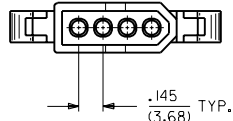
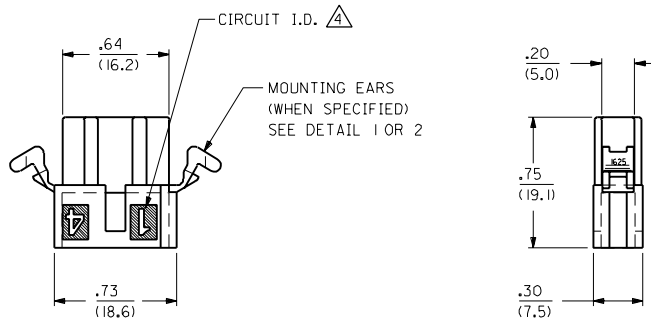
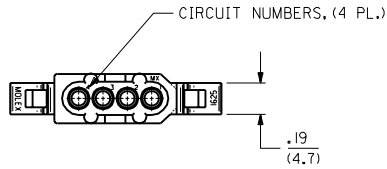


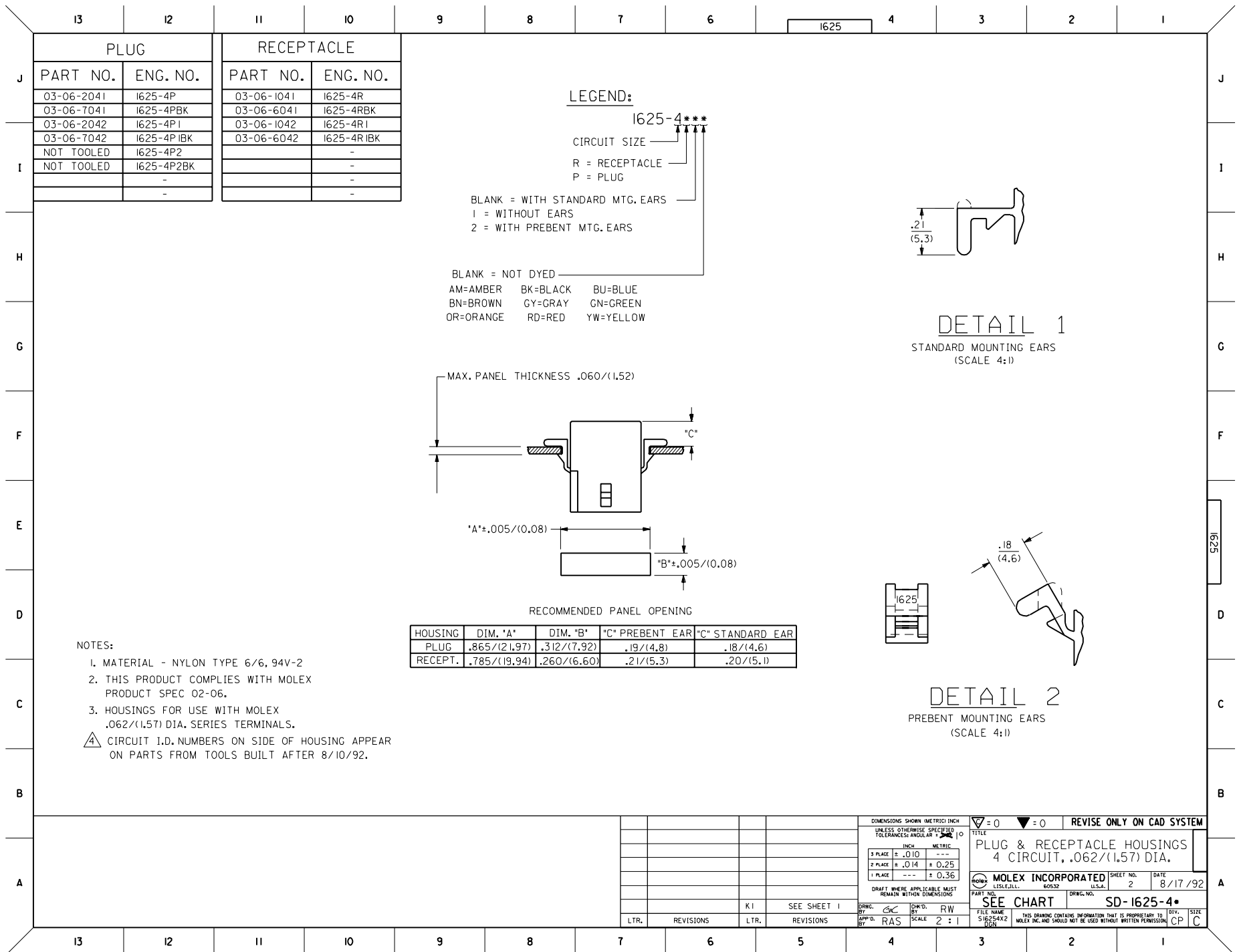
RECEPTACLE HOUSING



PLUG HOUSING

K2		REVISED PER UCR2000-0509 01/26/00 DDS	
K1	2	K1	REVISED & REDRAWN ECR 12 1159
K1	J	K2	8/17/92 RW
MFG.	SH.	REV.	LTR.
		REVISIONS	

DIMENSIONS SHOWN METRIC (INCH)		▽ = 0 ▼ = 0		REVISE ONLY ON CAD SYSTEM	
UNLESS OTHERWISE SPECIFIED TOLERANCES: ANGULAR ± .004		TITLE		PLUG & RECEPTACLE HOUSINGS 4 CIRCUIT, .062/(1.57) DIA.	
INCH METRIC		PART NO.		SHEET NO. DATE	
3 PLACE ± .010 ---		L15LEJLL		1 of 2 8/17/91	
2 PLACE ± .014 ± 0.25		MOLEX INCORPORATED		U.S.A.	
1 PLACE --- ± 0.36		60532		DIV. SIZE	
DRAFT WHERE APPLICABLE MUST REMAIN WITHIN DIMENSIONS		SEE CHART		SD-1625-4	
DRWG. BY RAS		CHKD. BY RW		FILE NAME S1625-4X1	
APP'D. BY RAS		SCALE 2 : 1		THIS DRAWING CONTAINS INFORMATION THAT IS PROPRIETARY TO MOLEX INC. AND SHOULD NOT BE USED WITHOUT WRITTEN PERMISSION.	

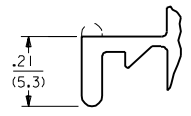


PLUG		RECEPTACLE	
PART NO.	ENG. NO.	PART NO.	ENG. NO.
03-06-2041	I625-4P	03-06-1041	I625-4R
03-06-7041	I625-4PBK	03-06-6041	I625-4RBK
03-06-2042	I625-4P1	03-06-1042	I625-4R1
03-06-7042	I625-4P1BK	03-06-6042	I625-4R1BK
NOT TOOLED	I625-4P2		-
NOT TOOLED	I625-4P2BK		-
	-		-
	-		-

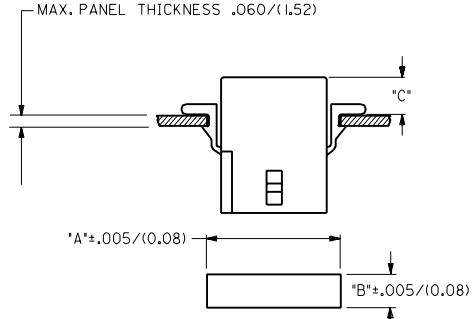
**LEGEND:**  
 I625-4\*\*\*  
 CIRCUIT SIZE  
 R = RECEPTACLE  
 P = PLUG

BLANK = WITH STANDARD MTG. EARS  
 1 = WITHOUT EARS  
 2 = WITH PREBENT MTG. EARS

BLANK = NOT DYED  
 AM=AMBER BK=BLACK BU=BLUE  
 BN=BROWN GY=GRAY GN=GREEN  
 OR=ORANGE RD=RED YW=YELLOW

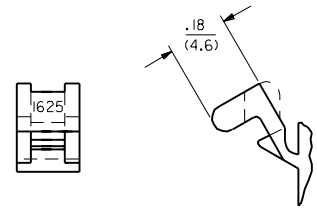


**DETAIL 1**  
 STANDARD MOUNTING EARS  
 (SCALE 4:1)



RECOMMENDED PANEL OPENING

HOUSING	DIM. 'A'	DIM. 'B'	'C' PREBENT EAR	'C' STANDARD EAR
PLUG	.865/(21.97)	.312/(7.92)	.19/(4.8)	.18/(4.6)
RECEPT.	.785/(19.94)	.260/(6.60)	.21/(5.3)	.20/(5.1)



**DETAIL 2**  
 PREBENT MOUNTING EARS  
 (SCALE 4:1)

- NOTES:**
- MATERIAL - NYLON TYPE 6/6, 94V-2
  - THIS PRODUCT COMPLIES WITH MOLEX PRODUCT SPEC 02-06.
  - HOUSINGS FOR USE WITH MOLEX .062/(1.57) DIA. SERIES TERMINALS.
  - CIRCUIT I.D. NUMBERS ON SIDE OF HOUSING APPEAR ON PARTS FROM TOOLS BUILT AFTER 8/10/92.

DIMENSIONS SHOWN (METRIC) INCH UNLESS OTHERWISE SPECIFIED TOLERANCES: ANGULAR ± .005 (0)		▽ = 0	▼ = 0	REVISE ONLY ON CAD SYSTEM
INCH METRIC 3 PLACE ± .010 --- 2 PLACE ± .014 ± 0.25 1 PLACE --- ± 0.36		TITLE PLUG & RECEPTACLE HOUSINGS 4 CIRCUIT, .062/(1.57) DIA.		
DRAFT WHERE APPLICABLE MUST REMAIN WITHIN DIMENSIONS		MOLEX INCORPORATED LITTLE ROCK, U.S.A. 60532		
DRAWING BY: <i>OK</i> CHK'D BY: <i>RW</i> APP'D BY: <i>RAS</i> SCALE: 2 : 1		SHEET NO. 2 DATE 8/17/92 PART NO. SD-I625-4*		
LTR. REVISIONS LTR. REVISIONS		FILE NAME: S16254X2.DGN THIS DRAWING CONTAINS INFORMATION THAT IS PROPRIETARY TO MOLEX INC. AND SHOULD NOT BE USED WITHOUT WRITTEN PERMISSION.		