

FMN CONNECTOR

Cir- cuits	Model No.				Side entry type	Dimensions mm(in.)				Q'ty / reel	
	Top entry type					A	B		C	Top entry type	Side entry type
	Single-row		Staggered				Top entry type	Side entry type			
	Normal type	Reverse type	Normal type	Reverse type							
4	04FMN-BMT-TF	04FMN-BMTR-TB	04FMN-BMTTN-TF	04FMN-BMTTR-TB	—	3.0(.118)	6.0(.236)	—	5.0(.197)	1,000	—
5	05FMN-BMT-TF	05FMN-BMTR-TB	05FMN-BMTTN-TF	05FMN-BMTTR-TB	—	4.0(.157)	7.0(.276)	—	6.0(.236)	1,000	—
6	06FMN-BMT-TF	06FMN-BMTR-TB	06FMN-BMTTN-TF	06FMN-BMTTR-TB	—	5.0(.197)	8.0(.315)	—	7.0(.276)	1,000	—
7	07FMN-BMT-TF	07FMN-BMTR-TB	07FMN-BMTTN-TF	07FMN-BMTTR-TB	—	6.0(.236)	9.0(.354)	—	8.0(.315)	1,000	—
8	08FMN-BMT-TF	08FMN-BMTR-TB	08FMN-BMTTN-TF	08FMN-BMTTR-TB	—	7.0(.276)	10.0(.394)	—	9.0(.354)	1,000	—
9	09FMN-BMT-TF	09FMN-BMTR-TB	09FMN-BMTTN-TF	09FMN-BMTTR-TB	—	8.0(.315)	11.0(.433)	—	10.0(.394)	1,000	—
10	10FMN-BMT-TF	10FMN-BMTR-TB	10FMN-BMTTN-TF	10FMN-BMTTR-TB	—	9.0(.354)	12.0(.472)	—	11.0(.433)	1,000	—
11	11FMN-BMT-TF	11FMN-BMTR-TB	11FMN-BMTTN-TF	11FMN-BMTTR-TB	—	10.0(.394)	13.0(.512)	—	12.0(.472)	1,000	—
12	12FMN-BMT-TF	12FMN-BMTR-TB	12FMN-BMTTN-TF	12FMN-BMTTR-TB	—	11.0(.433)	14.0(.551)	—	13.0(.512)	1,000	—
13	13FMN-BMT-TF	13FMN-BMTR-TB	13FMN-BMTTN-TF	13FMN-BMTTR-TB	—	12.0(.472)	15.0(.591)	—	14.0(.551)	1,000	—
14	14FMN-BMT-TF	14FMN-BMTR-TB	14FMN-BMTTN-TF	14FMN-BMTTR-TB	—	13.0(.512)	16.0(.630)	—	15.0(.591)	1,000	—
15	15FMN-BMT-TF	15FMN-BMTR-TB	15FMN-BMTTN-TF	15FMN-BMTTR-TB	—	14.0(.551)	17.0(.669)	—	16.0(.630)	1,000	—
16	16FMN-BMT-TF	16FMN-BMTR-TB	16FMN-BMTTN-TF	16FMN-BMTTR-TB	—	15.0(.591)	18.0(.709)	—	17.0(.669)	1,000	—
17	17FMN-BMT-TF	17FMN-BMTR-TB	17FMN-BMTTN-TF	17FMN-BMTTR-TB	—	16.0(.630)	19.0(.748)	—	18.0(.709)	1,000	—
18	18FMN-BMT-TF	18FMN-BMTR-TB	18FMN-BMTTN-TF	18FMN-BMTTR-TB	—	17.0(.669)	20.0(.787)	—	19.0(.748)	1,000	—
19	19FMN-BMT-TF	19FMN-BMTR-TB	19FMN-BMTTN-TF	19FMN-BMTTR-TB	—	18.0(.709)	21.0(.827)	—	20.0(.787)	1,000	—
20	20FMN-BMT-TF	20FMN-BMTR-TB	20FMN-BMTTN-TF	20FMN-BMTTR-TB	—	19.0(.748)	22.0(.866)	—	21.0(.827)	1,000	—
21	21FMN-BMT-TF	21FMN-BMTR-TB	21FMN-BMTTN-TF	21FMN-BMTTR-TB	—	20.0(.787)	23.0(.906)	—	22.0(.866)	1,000	—
22	22FMN-BMT-TF	22FMN-BMTR-TB	22FMN-BMTTN-TF	22FMN-BMTTR-TB	22FMN-SMT-TF	21.0(.827)	24.0(.945)	25.0(.984)	23.0(.906)	1,000	2,000
23	23FMN-BMT-TF	23FMN-BMTR-TB	23FMN-BMTTN-TF	23FMN-BMTTR-TB	—	22.0(.866)	25.0(.984)	—	24.0(.945)	1,000	—
24	24FMN-BMT-TF	24FMN-BMTR-TB	24FMN-BMTTN-TF	24FMN-BMTTR-TB	24FMN-SMT-TF	23.0(.906)	26.0(1.024)	27.0(1.063)	25.0(.984)	1,000	2,000
25	25FMN-BMT-TF	25FMN-BMTR-TB	25FMN-BMTTN-TF	25FMN-BMTTR-TB	—	24.0(.945)	27.0(1.063)	—	26.0(1.024)	1,000	—
26	26FMN-BMT-TF	26FMN-BMTR-TB	26FMN-BMTTN-TF	26FMN-BMTTR-TB	—	25.0(.984)	28.0(1.102)	—	27.0(1.063)	1,000	—
27	27FMN-BMT-TF	27FMN-BMTR-TB	27FMN-BMTTN-TF	27FMN-BMTTR-TB	—	26.0(1.024)	29.0(1.142)	—	28.0(1.102)	1,000	—
28	28FMN-BMT-TF	28FMN-BMTR-TB	28FMN-BMTTN-TF	28FMN-BMTTR-TB	—	27.0(1.063)	30.0(1.181)	—	29.0(1.142)	1,000	—
29	29FMN-BMT-TF	29FMN-BMTR-TB	29FMN-BMTTN-TF	29FMN-BMTTR-TB	—	28.0(1.102)	31.0(1.220)	—	30.0(1.181)	1,000	—
30	30FMN-BMT-TF	30FMN-BMTR-TB	30FMN-BMTTN-TF	30FMN-BMTTR-TB	—	29.0(1.142)	32.0(1.260)	—	31.0(1.220)	1,000	—
31	31FMN-BMT-TF	31FMN-BMTR-TB	31FMN-BMTTN-TF	31FMN-BMTTR-TB	—	30.0(1.181)	33.0(1.299)	—	32.0(1.260)	1,000	—
32	32FMN-BMT-TF	32FMN-BMTR-TB	32FMN-BMTTN-TF	32FMN-BMTTR-TB	—	31.0(1.220)	34.0(1.339)	—	33.0(1.299)	1,000	—
33	33FMN-BMT-TF	33FMN-BMTR-TB	33FMN-BMTTN-TF	33FMN-BMTTR-TB	—	32.0(1.260)	35.0(1.378)	—	34.0(1.339)	1,000	—
34	34FMN-BMT-TF	34FMN-BMTR-TB	34FMN-BMTTN-TF	34FMN-BMTTR-TB	—	33.0(1.299)	36.0(1.417)	—	35.0(1.378)	1,000	—
35	35FMN-BMT-TF	35FMN-BMTR-TB	35FMN-BMTTN-TF	35FMN-BMTTR-TB	—	34.0(1.339)	37.0(1.457)	—	36.0(1.417)	1,000	—
36	36FMN-BMT-TF	36FMN-BMTR-TB	36FMN-BMTTN-TF	36FMN-BMTTR-TB	—	35.0(1.378)	38.0(1.496)	—	37.0(1.457)	1,000	—
37	37FMN-BMT-TF	37FMN-BMTR-TB	37FMN-BMTTN-TF	37FMN-BMTTR-TB	—	36.0(1.417)	39.0(1.535)	—	38.0(1.496)	1,000	—
38	38FMN-BMT-TF	38FMN-BMTR-TB	38FMN-BMTTN-TF	38FMN-BMTTR-TB	—	37.0(1.457)	40.0(1.575)	—	39.0(1.535)	1,000	—
39	39FMN-BMT-TF	39FMN-BMTR-TB	39FMN-BMTTN-TF	39FMN-BMTTR-TB	—	38.0(1.496)	41.0(1.614)	—	40.0(1.575)	1,000	—
40	40FMN-BMT-TF	40FMN-BMTR-TB	40FMN-BMTTN-TF	40FMN-BMTTR-TB	—	39.0(1.535)	42.0(1.654)	—	41.0(1.614)	1,000	—

Material and Finish

Contact: Phosphor bronze, copper-undercoated, tin/lead-plated
Housing: Modified 6T nylon, UL94V-0, black
Solder tab: Brass, copper-undercoated, tin/lead plated

Note:

The product listed above are supplied on embossed tape.

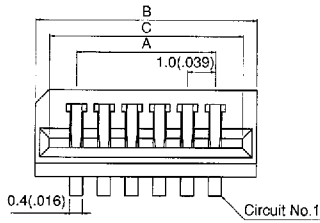
FMN CONNECTOR

SMT type Connector

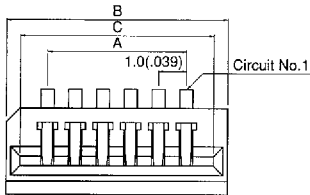
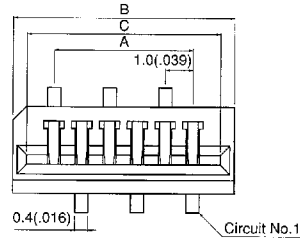
Top entry type

<In-line>

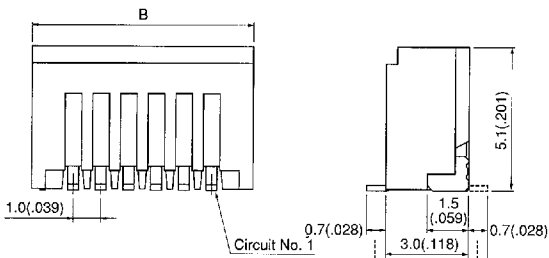
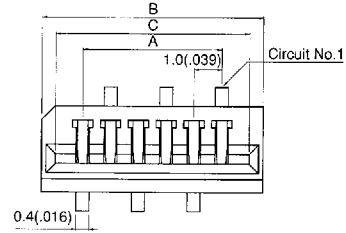
<Staggered>



← Normal type →

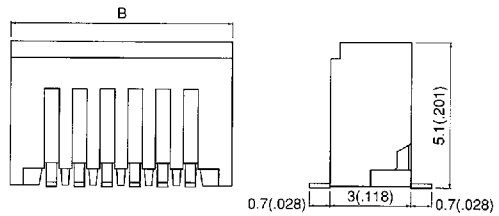


← Reverse type →

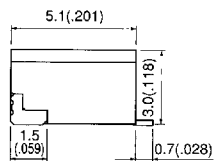
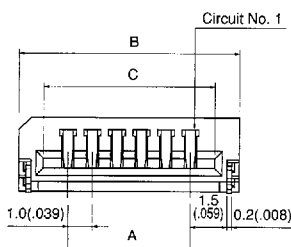
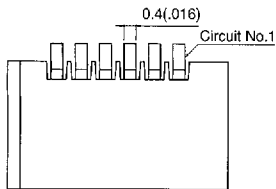


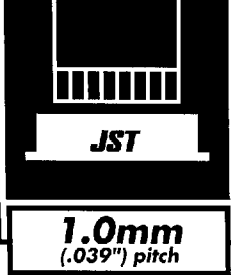
Normal type

Reverse type



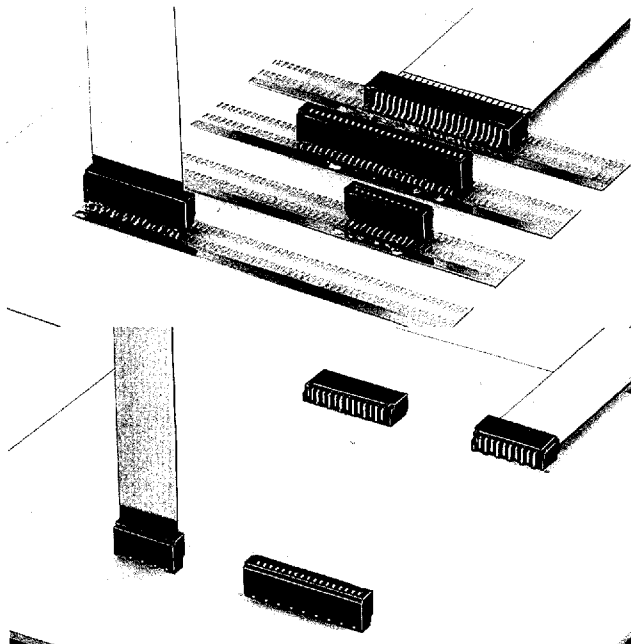
Side entry type



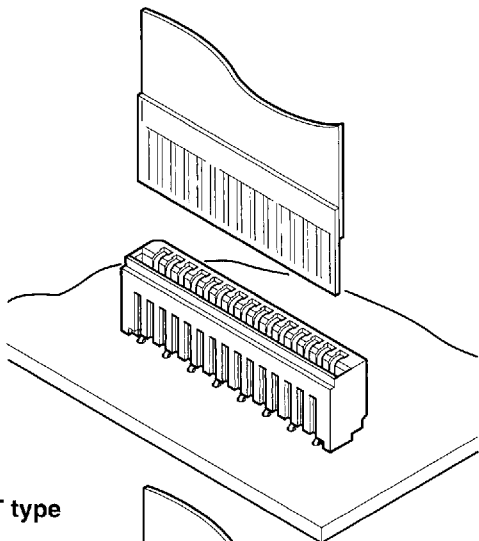


FMN CONNECTOR

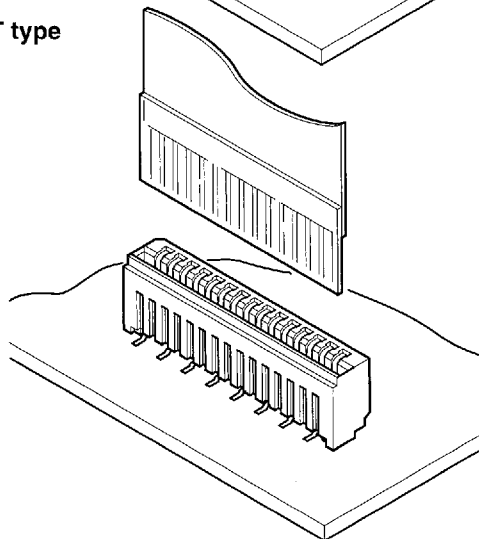
Connectors for FFC and FPC



Through-hole type



SMT type



Features

- **Compact**

3.0mm(.118") high < side entry type > and 5.1mm(.201") < top entry type >.

- **Low insertion force**

There are no slides or levers to operate on this recuded insertion force connector. It requires 1/2 the insertion force of JST's conventional FFC connector, but retains stable contact performance when subjected to environmental and mechanical stresses.

- **Both through-hole and SMT types are available**

SMT type connectors have heat-resistant housings so that solder reflow is possible. They also have solder tabs for extra strength.

- **Embossed tape for automatic mounting**

The SMT type FMN connector is supplied in embossed tape packaging, for mounting by automatic placemant machines.

Specifications

- Current rating: 0.5A DC
 - Voltage rating: 50V DC
 - Temperature range: -25°C to +85°C
(including temperature rise in applying electrical current)
 - Contact resistance: Initial value/30m Ω max.
After environmental testing/50m Ω max.
 - Insulation resistance: 500M Ω min.
 - Withstanding voltage: 500V AC/minute
 - Applicable FFC: Lead pitch /1.0mm(.039")
Lead width /0.7mm(.028")
Mating part thickness /
0.30 ± 0.05mm(.012 ± .002)
 - Applicable PC board thickness: 1.6mm(.063")
- * Contact JST for details.

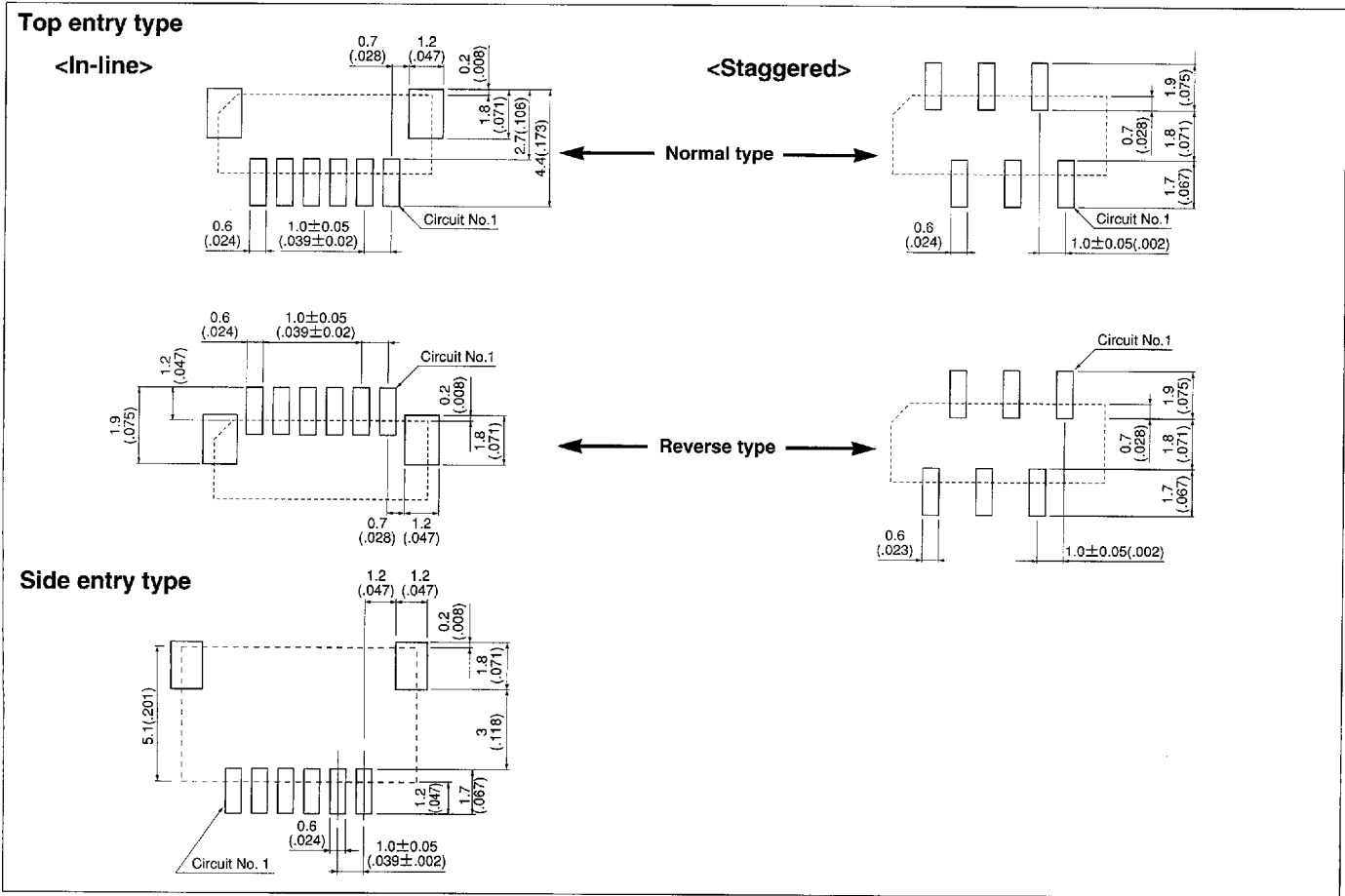
Standards

Ⓜ Recognized file No. E60389

Ⓢ Certified file No. LR20812

FMN CONNECTOR

SMT type PC board layout (viewed from component side)



- Note:
1. Tolerances are non-cumulative: $\pm 0.05\text{mm} (\pm .002")$ for all centers.
 2. The dimensions above should serve as a guideline. Contact JST for details.

SMT type Assembly layout (viewed from component side)

