

**PLEASE CHECK WWW.MOLEX.COM FOR LATEST PART INFORMATION**

**Part Number:** [0003121121](#)  
**Status:** **Active**  
**Description:** 3.18mm (.125") Diameter, HCS-125 Pin and Socket Receptacle Housing, 12 Circuits, 3 Row, With Panel Mount Ears

**Documents:**

[3D Model](#)  
[Drawing \(PDF\)](#)

[RoHS Certificate of Compliance \(PDF\)](#)

**Agency Certification**

UL E29179

**General**

Product Family Crimp Housings  
 Series [2201](#)  
 Application Power  
 Product Name HCS-125

**Physical**

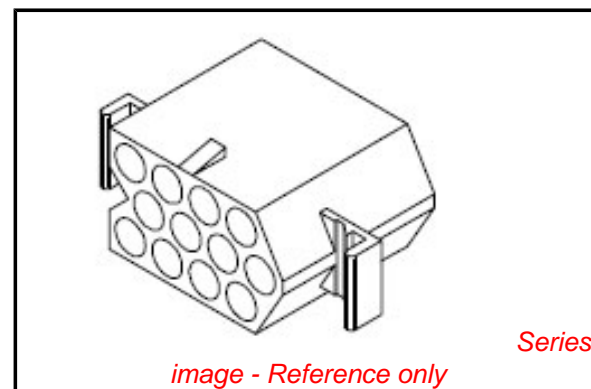
Circuits (maximum) 12  
 Color - Resin Natural  
 Flammability 94V-2  
 Gender Dual  
 Glow-Wire Compliant No  
 Material - Resin Nylon  
 Number of Rows 3  
 Packaging Type Bag  
 Panel Mount Yes  
 Pitch - Mating Interface 6.60mm (.260)  
 Stackable No  
 Temperature Range - Operating -40°C to +105°C

**Material Info**

Old Part Number 2201-R

**Reference - Drawing Numbers**

Packaging Specification PK-2201-001  
 Sales Drawing SD-2201-\*



**EU RoHS**

**ELV and RoHS Compliant**  
**REACH SVHC Contains SVHC: No**  
**Low-Halogen Status Not Reviewed**

**China RoHS**



**Need more information on product environmental compliance?**

Email [productcompliance@molex.com](mailto:productcompliance@molex.com)  
 For a multiple part number RoHS Certificate of Compliance, [click here](#)

Please visit the [Contact Us](#) section for any non-product compliance questions.

**Search Parts in this Series**

[2201Series](#)

**Mates With**

[2201p](#)

**Use With**

[8947](#) , [1900](#) male crimp terminals, [1901](#) , [2046](#) , [2047](#) , [42546](#) , [42547](#) , [42554](#) , [42555](#) , [8946](#)