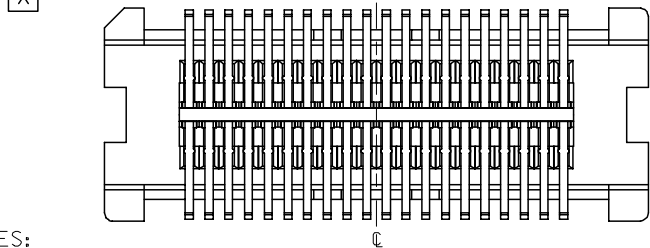
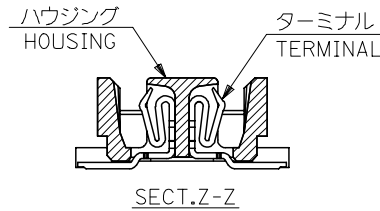
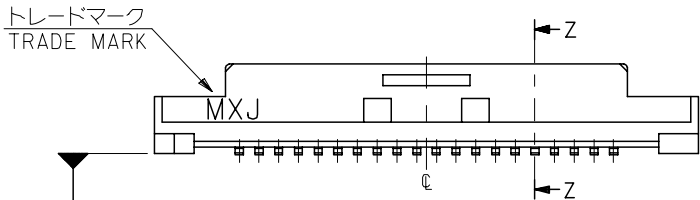
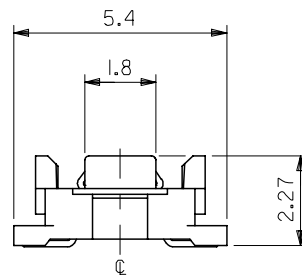


参考基板レイアウト (マウント面)
P.C.BOARD PATTERN
DIMENSION (REF.)
(MOUNTING AREA)



| | | | | |
|------|------|------|--------------|---------------|
| 23.8 | 20.2 | 19.5 | 52991-0800 | 80 |
| 21.3 | 17.7 | 17.0 | -0700 | 70 |
| 18.8 | 15.2 | 14.5 | -0600 | 60 |
| 16.3 | 12.7 | 12.0 | -0500 | 50 |
| 13.8 | 10.2 | 9.5 | -0400 | 40 |
| 11.3 | 7.7 | 7.0 | -0300 | 30 |
| 8.8 | 5.2 | 4.5 | 52991-0200 | 20 |
| C | B | A | MATERIAL NO. | 極数 CIRCUIT |

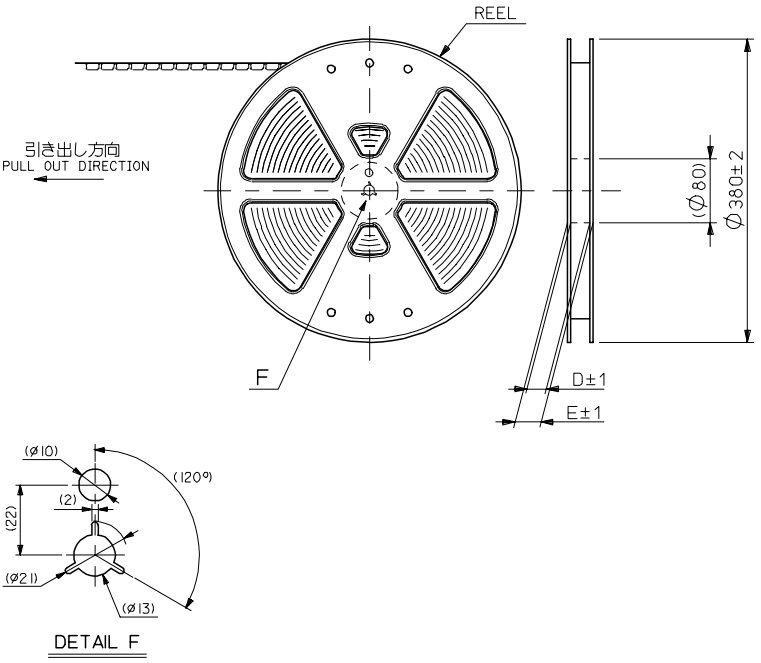
注記 NOTES:

1. 使用材料 MATERIAL
ハウジング: LCPガラス入り (白), UL94V-0
HOUSING: LCP(G.F.)(COLOR:WHITE), UL94V-0
ターミナル: リン青銅 (t=0.15)
TERMINAL: PHOSPHOR BRONZE (t=0.15)
2. ヌッキ仕様 PLATING
全体仕上げ: 金メッキ 0.1 MICROMETER MIN.
ALL OVER: GOLD 0.1 MICROMETER MIN.
下地メッキ: ニッケルメッキ 1.5 MICROMETER MIN.
UNDER PLATING: NICKEL 1.5 MICROMETER MIN.

- 5 嵌合相手: 53748 シリーズ 53916 シリーズ 502280 シリーズ
MATE WITH: 53748 SERIES, 53916 SERIES, 502280 SERIES.
- 6 テール平坦度は、0.1MAX.
TAIL COPLANARITY TO BE 0.1MAX.

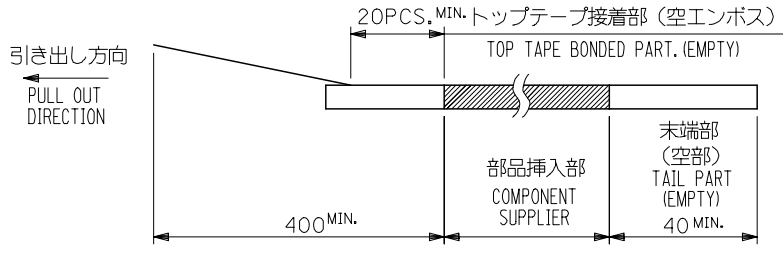
3. 基準面 [X] からのソルダーテールの半田付け面のズレ量は、上方向 0、下方向 0.15MAX. とする。
MISALIGNMENT OF SOLDER TAIL FROM [X]
: UPPER DIRECTION 0, LOWER DIRECTION 0.15 MAX.
△ (全極数/2) = 偶数の場合に適用。
APPLY FOR (CIRCUIT/2)=EVEN.

| | | | | | | | |
|--|---------------------------------------|---------------------------|--|---------------------|--|------------------------|------------------------|
| REVISED EC NO: J2007-0273 DRWN: TENAGASE 2006/07/28 CHKD: THARUYAMA 2006/08/03 APPR: NUKITA 2006/08/07 | GENERAL TOLERANCES (UNLESS SPECIFIED) | | DIMENSION STYLE MM ONLY | | SCALE 8:1 | DESIGN UNITS METRIC | THIRD ANGLE PROJECTION |
| | 10 UNDER | ±0.2 | DRAWN BY S. AIHARA | DATE '96/02/27 | TITLE 0.5 B/B CONN REC HOUSING ASSY(W/O BOSS, W/O NAIL) -LEAD FREE- | | |
| | 10 OVER 30 UNDER | ±0.25 | CHECKED BY M. SASAO | DATE '01/12/26 | | | |
| | 30 OVER | ±0.3 | APPROVED BY M. SASAO | DATE '01/12/26 | MOLEX INCORPORATED | | |
| ANGULAR | ±3 ° | MATERIAL NO. SEE CHART | DOCUMENT NO. SD-52991-004 | SHEET NO. 1 OF 1 | | | |
| DRAFT WHERE APPLICABLE MUST REMAIN WITHIN DIMENSIONS | | SIZE A3 | THIS DRAWING CONTAINS INFORMATION THAT IS PROPRIETARY TO MOLEX INCORPORATED AND SHOULD NOT BE USED WITHOUT WRITTEN PERMISSION | | | | |

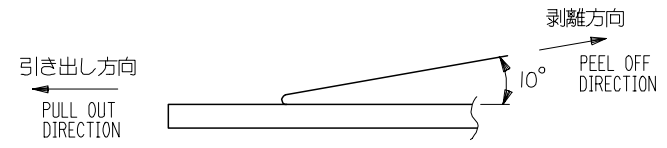


NOTES

- 製品詳細寸法については図面 SD-52991-004 を参照下さい。
RE DETAILED DIMENSION, SEE SD-52991-004
- 梱包数量：3000個/リール
NUMBER OF CONNECTORS : 3000PCS/REEL
- リードテープ長さ LEAD TAPE LENGTH



- トップテープの剥離強度：0.1N~1.3N (10gf~130gf) (剥離方向は下図参照)
尚、本規格値は出荷時に適用。(但し、輸送時に剥離が発生しないこと。)
PEELING OFF FORCE OF TOP TAPE : 0.1N~1.3N (10gf~130gf)
(PEELING DIRECTION AS SHOWN IN FOLLOWING FIG.)
THIS REQUIREMENT SHOULD BE APPLIED AT SHIPMENT.
PEEL OFF SHOULD NOT BE ALLOWED , DURING TRANSPORTATION.



- 材料 (MATERIAL)
キャリアテープ (CARRIER TAPE) : ポリプロピレン (POLYPROPYLENE)
トップテープ (TOPTAPE) : PET , PE , PEF
リール (REEL) : ポリスチレン (PS) <リサイクル材を含む>
POLYSTYREN (PS) <RECYCLE MATERIAL CONTAINED>

52991-***8 MODEL NO.

| | | | | | | | |
|---|--|--------|-----------------------------|-------------------|--|------------------------|------------------------|
| REVISED EC NO: J2006-0604 DRW:NAIDA 2005/08/31 CHK:KTOYODA 2005/09/01 APP:NUKITA 2005/09/09 | GENERAL TOLERANCES (UNLESS SPECIFIED) | | DIMENSION STYLE MM ONLY | | SCALE --- | DESIGN UNITS METRIC | THIRD ANGLE PROJECTION |
| | 10 UNDER | ± 0.2 | DRAWN BY T. NIITSU | DATE '95/10/17 | TITLE 0.5 B/B CONN REC HSG ASSY EMBSTP PKG -LEAD FREE- | | |
| | 10 OVER 30 UNDER | ± 0.25 | CHECKED BY T. ITO | DATE '01/01/31 | MOLEX INCORPORATED | | |
| | 30 OVER | ± 0.3 | APPROVED BY M. FUKUSHIMA | DATE '01/01/31 | DOCUMENT NO. SD-52991-005 | | |
| | ANGULAR | ± 3 ° | MATERIAL NO. SEE CHART | | SHEET NO. 1 OF 6 | | |
| D | DRAFT WHERE APPLICABLE MUST REMAIN WITHIN DIMENSIONS | | SIZE A3 | | THIS DRAWING CONTAINS INFORMATION THAT IS PROPRIETARY TO MOLEX INCORPORATED AND SHOULD NOT BE USED WITHOUT WRITTEN PERMISSION | | |

10 9 8 7 6 5 4 3 2 1

F

E

D

C

B

A

F

E

D

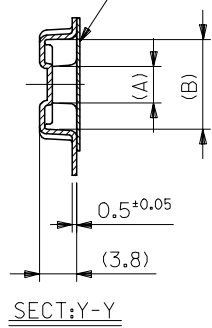
C

B

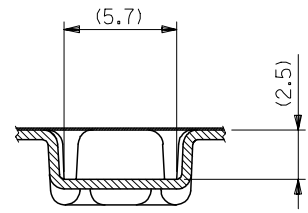
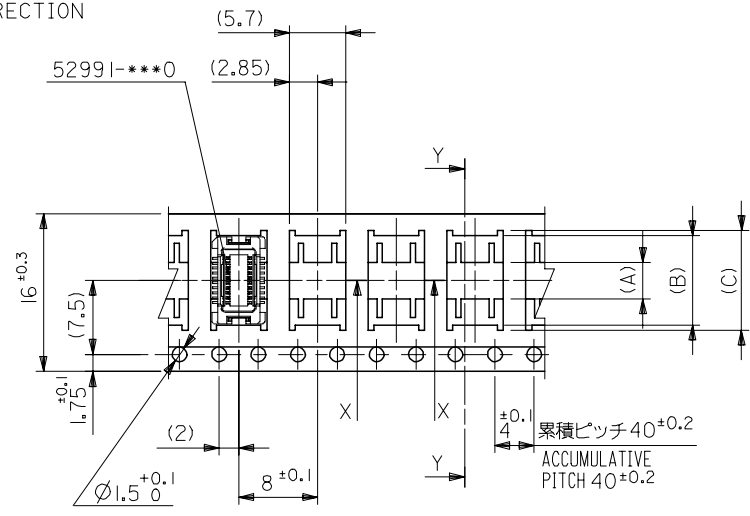
A

引き出し方向
PULL OUT DIRECTION

トップテープ
TOP TAPE



SECT:Y-Y



SECT:X-X
(SCALE 4:1)

16mm幅キャリアテープ
16mm WIDTH CARRIER TAPE

| | | | | | | | | | | | | | | | | | | | | | | | | | | | | | | | | | | | |
|--|--|-------------------|--|---------------------------------------|--|------------------|--|--|--|------------------------|--|-----------------|--|--|--|--|--|--|--|--------------|--|--|--|--|--|--|--|--------------|--|--|--|--------------|--|------------------------|--|
| REVISED | | EC NO: J2006-0604 | | 2005/08/31 | | 2005/09/01 | | 2005/09/09 | | 52991-***8 | | MODEL NO. | | 16 | | 21.4 | | 17.4 | | 10.1 | | 9.1 | | 3.7 | | 52991-0208 | | 20 | | | | | | | |
| DRAWN BY | | DATE | | TITLE | | SCALE | | DESIGN UNITS | | THIRD ANGLE PROJECTION | | DRAWN BY | | DATE | | TITLE | | SCALE | | DESIGN UNITS | | THIRD ANGLE PROJECTION | | DRAWN BY | | DATE | | TITLE | | | | | | | |
| CHECKED BY | | DATE | | TITLE | | SCALE | | DESIGN UNITS | | THIRD ANGLE PROJECTION | | CHECKED BY | | DATE | | TITLE | | SCALE | | DESIGN UNITS | | THIRD ANGLE PROJECTION | | CHECKED BY | | DATE | | TITLE | | | | | | | |
| APPROVED BY | | DATE | | TITLE | | SCALE | | DESIGN UNITS | | THIRD ANGLE PROJECTION | | APPROVED BY | | DATE | | TITLE | | SCALE | | DESIGN UNITS | | THIRD ANGLE PROJECTION | | APPROVED BY | | DATE | | TITLE | | | | | | | |
| MATERIAL NO. | | DOCUMENT NO. | | SHEET NO. | | MATERIAL NO. | | DOCUMENT NO. | | SHEET NO. | | MATERIAL NO. | | DOCUMENT NO. | | SHEET NO. | | MATERIAL NO. | | DOCUMENT NO. | | SHEET NO. | | MATERIAL NO. | | DOCUMENT NO. | | SHEET NO. | | | | | | | |
| DRAFT WHERE APPLICABLE MUST REMAIN WITHIN DIMENSIONS | | SEE CHART | | SD-52991-005 | | 2 OF 6 | | DRAFT WHERE APPLICABLE MUST REMAIN WITHIN DIMENSIONS | | SEE CHART | | SD-52991-005 | | 2 OF 6 | | DRAFT WHERE APPLICABLE MUST REMAIN WITHIN DIMENSIONS | | SEE CHART | | SD-52991-005 | | 2 OF 6 | | DRAFT WHERE APPLICABLE MUST REMAIN WITHIN DIMENSIONS | | SEE CHART | | SD-52991-005 | | | | | | | |
| GENERAL TOLERANCES (UNLESS SPECIFIED) | | 10 UNDER | | ± --- | | 10 OVER 30 UNDER | | ± --- | | 30 OVER | | ± --- | | ANGULAR | | ± --- ° | | DRAFT WHERE APPLICABLE MUST REMAIN WITHIN DIMENSIONS | | SEE CHART | | SD-52991-005 | | 2 OF 6 | | DRAFT WHERE APPLICABLE MUST REMAIN WITHIN DIMENSIONS | | SEE CHART | | SD-52991-005 | | | | | |
| DRWN:NAIDA | | 2005/08/31 | | TITLE | | SCALE | | DESIGN UNITS | | THIRD ANGLE PROJECTION | | CHKD:KTOYODA | | 2005/09/01 | | TITLE | | SCALE | | DESIGN UNITS | | THIRD ANGLE PROJECTION | | APPR:NUKITA | | 2005/09/09 | | TITLE | | SCALE | | DESIGN UNITS | | THIRD ANGLE PROJECTION | |
| REV D | | DESCRIPTION | | GENERAL TOLERANCES (UNLESS SPECIFIED) | | 10 UNDER ± --- | | 10 OVER 30 UNDER ± --- | | 30 OVER ± --- | | ANGULAR ± --- ° | | DRAFT WHERE APPLICABLE MUST REMAIN WITHIN DIMENSIONS | | SEE CHART | | SD-52991-005 | | 2 OF 6 | | DRAFT WHERE APPLICABLE MUST REMAIN WITHIN DIMENSIONS | | SEE CHART | | SD-52991-005 | | 2 OF 6 | | DRAFT WHERE APPLICABLE MUST REMAIN WITHIN DIMENSIONS | | SEE CHART | | SD-52991-005 | |

10 9 8 7 6 5 4 3 2 1

F

E

D

C

B

A

F

E

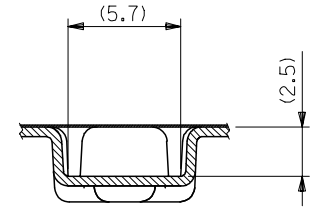
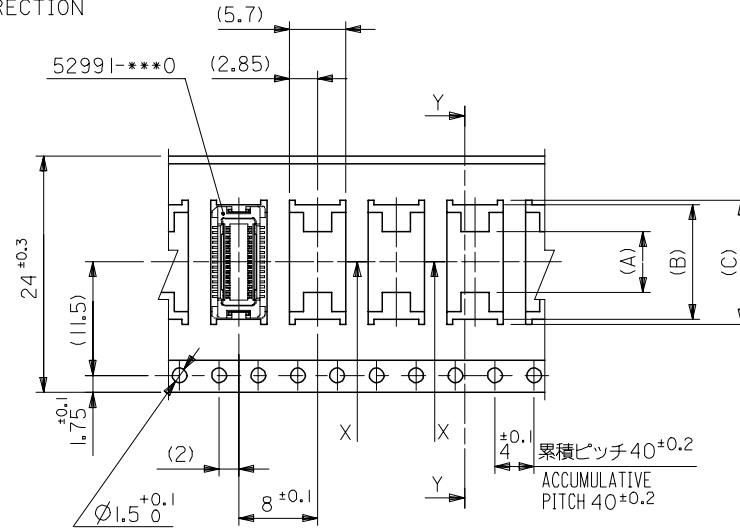
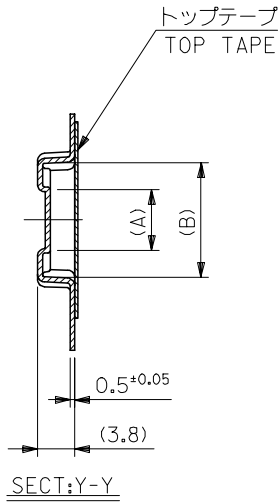
D

C

B

A

引き出し方向
PULL OUT DIRECTION



24mm幅キャリアテープ
24mm WIDTH CARRIER TAPE

| | | | | | | | |
|--------------------------------|------|------|------|------|-----|--------------|------------|
| 24 | 29.4 | 25.4 | 15.1 | 14.1 | 7.4 | 52991-0408 | 40 |
| | | | 12.6 | 11.6 | 4.9 | 52991-0308 | 30 |
| キャリアテープ幅 CARRIER TAPE WIDTH | E | D | (C) | (B) | (A) | MATERIAL NO. | 極数 CKT. |

| | | | | | | | | |
|--|--|--|-----------|-----------------------------|--|--|------------------------|---|
| REVISED EC NO: J2006-0604 DRWN:NAIDA 2005/08/31 CHKD:KTOYODA 2005/09/01 APPR:NUKITA 2005/09/09 | DESCRIPTION | 52991-***8 | MODEL NO. | DIMENSION STYLE MM ONLY | | SCALE --- | DESIGN UNITS METRIC | THIRD ANGLE PROJECTION |
| | GENERAL TOLERANCES (UNLESS SPECIFIED) | 10 UNDER ± --- | | DRAWN BY S. AIHARA | | DATE '96/04/01 | | TITLE 0.5 B/B CONN REC HSG ASSY EMBSTP PKG -LEAD FREE- |
| | | 10 OVER 30 UNDER ± --- | | CHECKED BY T. ITO | | DATE '01/01/31 | | MOLEX INCORPORATED |
| | | 30 OVER ± --- | | APPROVED BY M. FUKUSHIMA | | DATE '01/01/31 | | |
| | ANGULAR ± --- ° | DRAFT WHERE APPLICABLE MUST REMAIN WITHIN DIMENSIONS | | MATERIAL NO. SEE CHART | | DOCUMENT NO. SD-52991-005 | | SHEET NO. 3 OF 6 |
| | | | | SIZE A3 | | THIS DRAWING CONTAINS INFORMATION THAT IS PROPRIETARY TO MOLEX INCORPORATED AND SHOULD NOT BE USED WITHOUT WRITTEN PERMISSION | | |

9

8

7

6

5

4

3

2

10 9 8 7 6 5 4 3 2 1

F

E

D

C

B

A

F

E

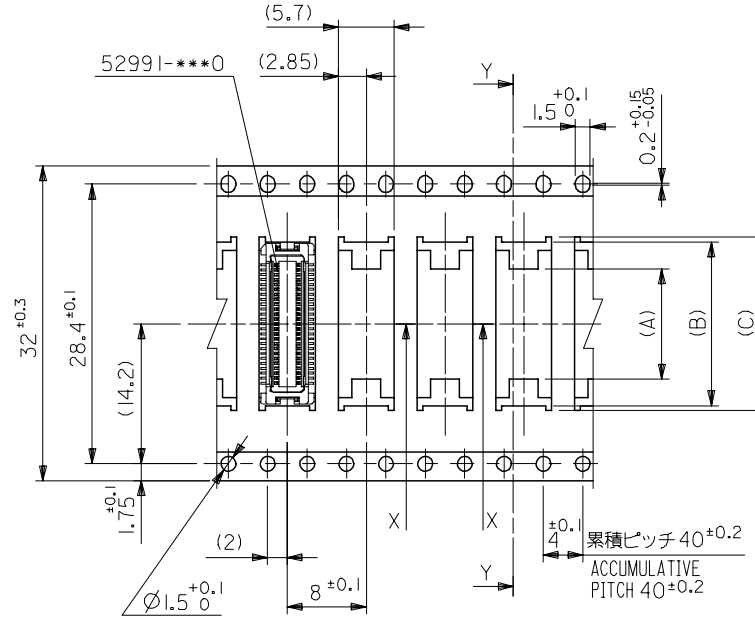
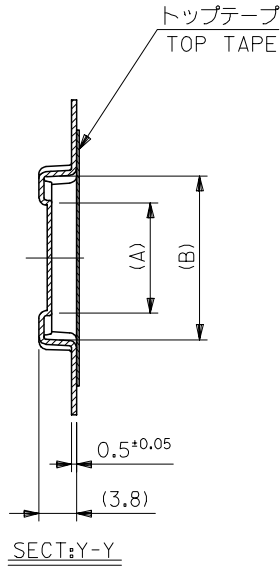
D

C

B

A

引き出し方向
PULL OUT DIRECTION



32mm幅キャリアテープ
32mm WIDTH CARRIER TAPE

| | | | | | | | |
|--------------------------------|------|------|------|------|------|--------------|------------|
| 32 | 37.4 | 33.4 | 17.6 | 16.6 | 11.2 | 52991-0508 | 50 |
| キャリアテープ幅 CARRIER TAPE WIDTH | E | D | (C) | (B) | (A) | MATERIAL NO. | 極数 CKT. |

| | | | | | | | |
|--|--|--|-----------------------------|------------|-------------------|--|---|
| REVISED EC NO: J2006-0604 DRW:NAIDA 2005/08/31 CHK:KTOYODA 2005/09/01 APPR:NUKITA 2005/09/09 | 52991-***8 MODEL NO. | | DIMENSION STYLE MM ONLY | | SCALE --- | DESIGN UNITS METRIC | THIRD ANGLE PROJECTION |
| | GENERAL TOLERANCES (UNLESS SPECIFIED) | | DRAWN BY T. YASUI | | DATE '96/04/15 | | TITLE 0.5 B/B CONN REC HSG ASSY EMBSTP PKG -LEAD FREE- |
| | 10 UNDER | ± --- | CHECKED BY T. ITO | | DATE '01/01/31 | | MOLEX INCORPORATED DOCUMENT NO. SD-52991-005 SHEET NO. 4 OF 6 |
| | 10 OVER 30 UNDER | ± --- | APPROVED BY M. FUKUSHIMA | | DATE '01/01/31 | | |
| | 30 OVER | ± --- | MATERIAL NO. | | SEE CHART | | |
| ANGULAR ± --- ° | | DRAFT WHERE APPLICABLE MUST REMAIN WITHIN DIMENSIONS | | SIZE A3 | | THIS DRAWING CONTAINS INFORMATION THAT IS PROPRIETARY TO MOLEX INCORPORATED AND SHOULD NOT BE USED WITHOUT WRITTEN PERMISSION | |

9

8

7

6

5

4

3

2

10 9 8 7 6 5 4 3 2 1

F

E

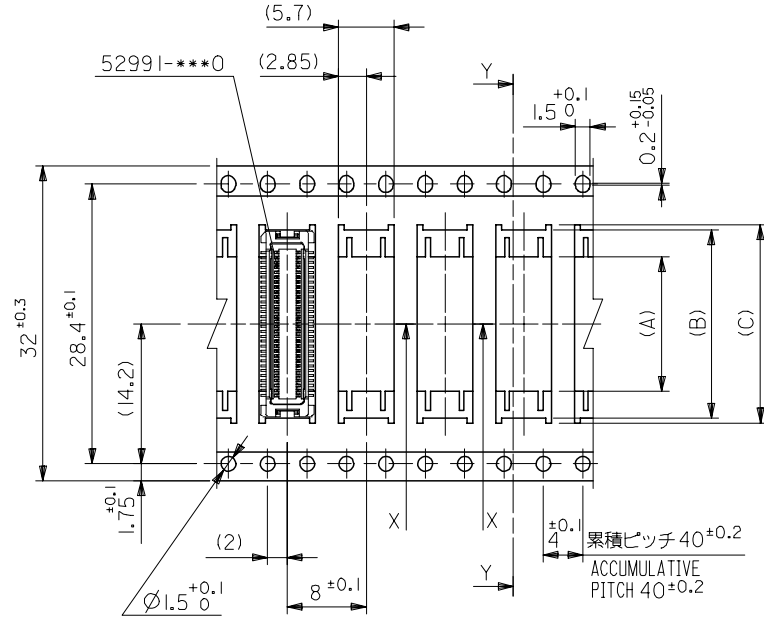
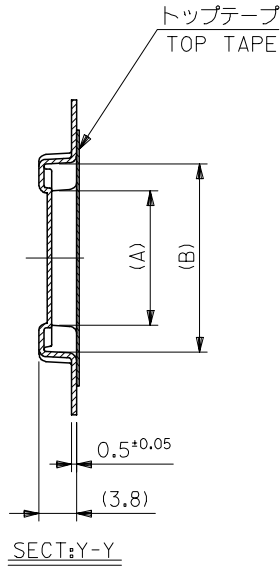
D

C

B

A

引き出し方向
PULL OUT DIRECTION



32mm幅キャリアテープ
32mm WIDTH CARRIER TAPE

| | | | | | | | |
|--------------------------------|-------------------|--|------------------------|------|---------------------------|---------------------|------------|
| 32 | 37.4 | 33.4 | 20.1 | 19.1 | 13.7 | 52991-0608 | 60 |
| キャリアテープ幅 CARRIER TAPE WIDTH | E | D | (C) | (B) | (A) | MATERIAL NO. | 極数 CKT. |
| DIMENSION STYLE MM ONLY | | SCALE --- | DESIGN UNITS METRIC | | THIRD ANGLE PROJECTION | | |
| DRAWN BY S. AIHARA | DATE '96/04/01 | TITLE 0.5 B/B CONN REC HSG ASSY EMBSTP PKG -LEAD FREE- | | | | | |
| CHECKED BY T. ITO | DATE '01/01/31 | MOLEX INCORPORATED | | | | | |
| APPROVED BY M. FUKUSHIMA | DATE '01/01/31 | DOCUMENT NO. SD-52991-005 | | | | SHEET NO. 5 OF 6 | |
| MATERIAL NO. SEE CHART | | THIS DRAWING CONTAINS INFORMATION THAT IS PROPRIETARY TO MOLEX INCORPORATED AND SHOULD NOT BE USED WITHOUT WRITTEN PERMISSION | | | | | |

| | |
|-------------------|-------------|
| REVISED | DESCRIPTION |
| EC NO: J2006-0604 | 2005/08/31 |
| DRW:NAIDA | 2005/09/01 |
| CHKD:TOYODA | 2005/09/01 |
| APPR:NUKITA | 2005/09/09 |

| | |
|--|-----------|
| 52991-***8 | MODEL NO. |
| GENERAL TOLERANCES (UNLESS SPECIFIED) | |
| 10 UNDER | ± --- |
| 10 OVER 30 UNDER | ± --- |
| 30 OVER | ± --- |
| ANGULAR | ± --- ° |
| DRAFT WHERE APPLICABLE MUST REMAIN WITHIN DIMENSIONS | |

9

8

7

6

5

4

3

2

10 9 8 7 6 5 4 3 2 1

F

E

D

C

B

A

F

E

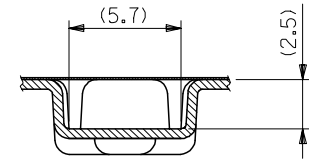
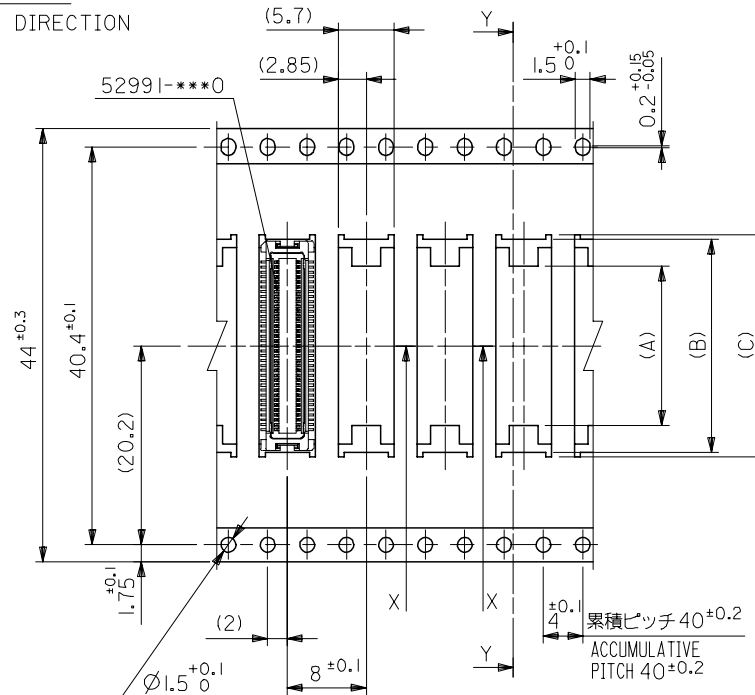
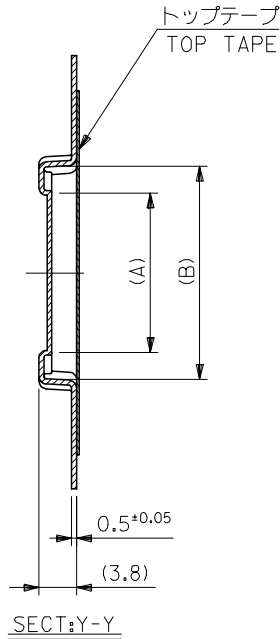
D

C

B

A

引き出し方向
PULL OUT DIRECTION



44mm幅キャリアテープ
44mm WIDTH CARRIER TAPE

| | | | | | | | |
|--------------------------------|------|------|------|------|------|--------------|------------|
| 44 | 49.4 | 45.4 | 25.1 | 24.1 | 18.7 | 52991-0808 | 80 |
| | | | 22.6 | 21.6 | 16.2 | 52991-0708 | 70 |
| キャリアテープ幅 CARRIER TAPE WIDTH | E | D | (C) | (B) | (A) | MATERIAL NO. | 極数 CKT. |

| | | | | | | | |
|---|---------------------------------------|------------|--------------|---|--------------|--------------------|--|
| REVISED EC NO: J2006-0604 DRW:NAIDA 2005/08/31 CHK:KTOYODA 2005/09/01 APP:NUKITA 2005/09/09 | DESCRIPTION | 52991-***8 | MODEL NO. | DIMENSION STYLE | SCALE | DESIGN UNITS | THIRD ANGLE PROJECTION |
| | GENERAL TOLERANCES (UNLESS SPECIFIED) | | | MM ONLY | --- | METRIC | ☉ |
| | 10 UNDER ± --- | | | DRAWN BY | DATE | TITLE | 0.5 B/B CONN REC HSG ASSY EMBSTP PKG -LEAD FREE- |
| | 10 OVER 30 UNDER ± --- | | | T. YASUI | '96/04/15 | MOLEX INCORPORATED | |
| 30 OVER ± --- | | | CHECKED BY | DATE | SD-52991-005 | | |
| ANGULAR ± --- ° | | | T. ITO | '01/01/31 | | SHEET NO. | |
| DRAFT WHERE APPLICABLE MUST REMAIN WITHIN DIMENSIONS | | | APPROVED BY | DATE | 6 OF 6 | | |
| | | | M. FUKUSHIMA | '01/01/31 | | | |
| | | | MATERIAL NO. | DOCUMENT NO. | | | |
| | | | SEE CHART | SD-52991-005 | | | |
| | | | SIZE | THIS DRAWING CONTAINS INFORMATION THAT IS PROPRIETARY TO MOLEX INCORPORATED AND SHOULD NOT BE USED WITHOUT WRITTEN PERMISSION | | | |
| | | | A3 | | | | |

9

8

7

6

5

4

3

2