

PLEASE CHECK WWW.MOLEX.COM FOR LATEST PART INFORMATION

Part Number: [0003121023](#)
Status: **Active**
Description: 3.18mm (.125") Diameter, HCS-125 Pin and Socket Receptacle Housing, 2 Circuits, Single Row, With and Without Panel Mount Ears

Documents:

[3D Model](#) [RoHS Certificate of Compliance \(PDF\)](#)
[Drawing \(PDF\)](#)

Agency Certification

CSA LR19980
 UL E29179

General

Product Family Crimp Housings
 Series [4306](#)
 Application Power
 Product Name HCS-125

Physical

Circuits (maximum) 2
 Color - Resin Natural
 Flammability 94V-2
 Gender Dual
 Glow-Wire Compliant No
 Material - Resin Nylon
 Number of Rows 1
 Packaging Type Bag
 Panel Mount Yes
 Pitch - Mating Interface 7.11mm (.280")
 Stackable No
 Temperature Range - Operating -40°C to +105°C

Electrical

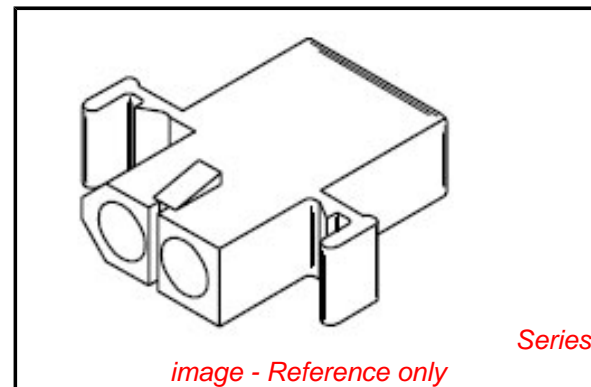
Current - Maximum per Contact 20A

Material Info

Old Part Number 4306-RB

Reference - Drawing Numbers

Packaging Specification PK-4306-001
 Sales Drawing SD-4306-*



EU RoHS

ELV and RoHS Compliant
REACH SVHC Contains SVHC: No
Low-Halogen Status Not Reviewed

China RoHS



Need more information on product environmental compliance?

Email productcompliance@molex.com
 For a multiple part number RoHS Certificate of Compliance, [click here](#)

Please visit the [Contact Us](#) section for any non-product compliance questions.

Search Parts in this Series

[4306Series](#)

Mates With

[4306p](#)

Use With

[8947](#) , [1900](#) male crimp terminals, [1901](#) , [2046](#) , [2047](#) , [42546](#) , [42547](#) , [42554](#) , [42555](#) , [8946](#)