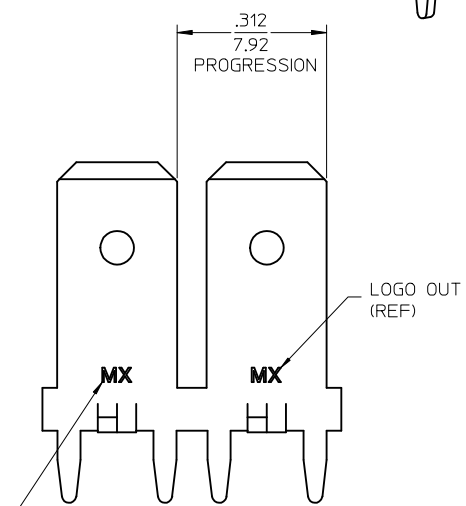
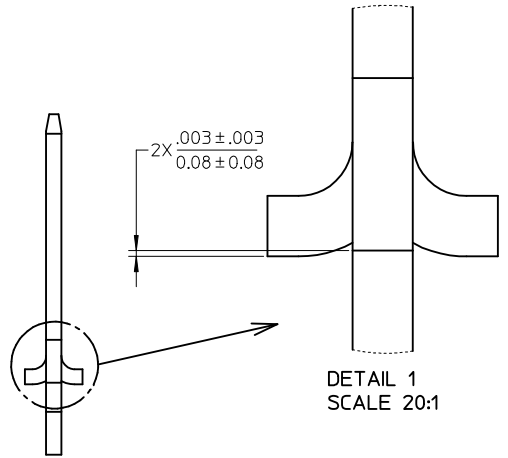
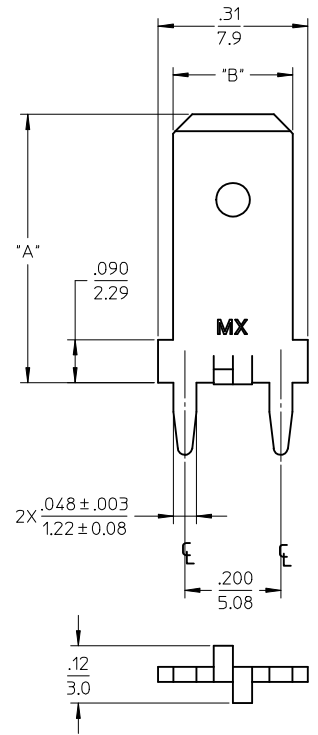
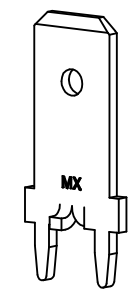
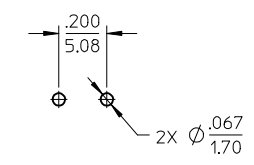
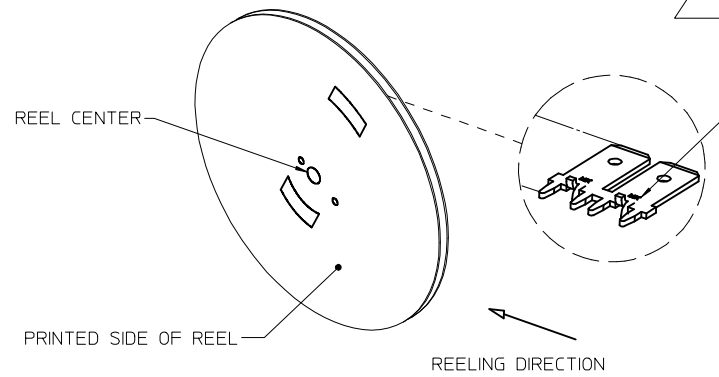


| MATERIAL NUMBER | ENGINEERING NUMBER | CARRIER | LOGO ORIENTATION | DIMENSION "A" | DIMENSION "B" | MIN. PARTS PER REEL |
|-----------------|--------------------|---------|------------------|---------------|---------------|---------------------|
| 197054003       | 19705-4003         | STRIP   | IN               | .560/14.22    | .250/6.35     | 5,000               |
| 197054103       | 19705-4103         | STRIP   | IN               | .560/14.22    | .187/4.75     |                     |
| 197054105       | 19705-4105         | STRIP   | OUT              | .560/14.22    |               |                     |
| 197054203       | 19705-4203         | STRIP   | IN               | .405/10.29    | .250/6.35     | 10,000              |
| 197054204       | 19705-4204         | STRIP   | OUT              | .405/10.29    |               |                     |
| 197054001       | 19705-4001         | LOOSE   | -                | .560/14.22    | .250/6.35     | -                   |
| 197054101       | 19705-4101         | LOOSE   | -                | .560/14.22    | .187/4.75     | -                   |
| 197054201       | 19705-4201         | LOOSE   | -                | .405/10.29    | .250/6.35     | -                   |

RECOMMENDED PCB HOLE LAYOUT



LOGO OPTIONS: MX, ETC, MX-ETC, OR MXN  
MAY ALSO BE UPSIDE-DOWN FOR DIE IDENTIFICATION PURPOSES



- NOTES:
1. BARE EDGES PERMISSIBLE AT CARRIER CUT OFF.
  2. MATERIAL: BRASS C26000 (.032/0.81) THICK.
  3. TAB CONFORMS TO NEMA SPECIFICATIONS.
  4. ALL DIMENSIONS AND NOTES REFERENCE UNLESS OTHERWISE NOTED.
  5. PLATING: MATTE TIN OVER NICKEL 150μ IN/3.81 μ mm MINIMUM THICKNESS OVER NICKEL 50μ IN/1.25μ mm MINIMUM THICKNESS.
  6. 24" DIAMETER REEL WITH A 1.25" DIAMETER CENTER HOLE.
  7. PART IS RoHS COMPLIANT

| <b>LOGO CLARIFIED</b><br>IEC NO: WNA2009-0488<br>DRW: WTHRODAHL 2009/02/10<br>CHKD: JMACNEIL 2009/02/12<br>APPR: JMACNEIL 2009/02/12 | QUALITY SYMBOLS   | GENERAL TOLERANCES (UNLESS SPECIFIED)   | DIMENSION STYLE           | SCALE                               | DESIGN UNITS               | THIRD ANGLE PROJECTION |                |        |                 |       |                |       |  |       |      |              |          |               |          |                 |          |     |      |  |
|--|---|---|---------------------------|-------------------------------------|----------------------------|------------------------|----------------|--------|-----------------|-------|----------------|-------|--|-------|------|--------------|----------|---------------|----------|-----------------|----------|-----|------|--|
|  | $\nabla=0$<br>$\nabla=0$  | <table border="1"> <tr><th>mm</th><th>INCH</th></tr> <tr><td>4 PLACES ± ---</td><td>± ---</td></tr> <tr><td>3 PLACES ± ---</td><td>± .005</td></tr> <tr><td>2 PLACES ± 0.13</td><td>± .01</td></tr> <tr><td>1 PLACE ± 0.25</td><td>± ---</td></tr> </table> | mm                        | INCH                                | 4 PLACES ± ---             | ± ---                  | 3 PLACES ± --- | ± .005 | 2 PLACES ± 0.13 | ± .01 | 1 PLACE ± 0.25 | ± --- | <table border="1"> <tr><th>IN/MM</th><th>DATE</th></tr> <tr><td>DRAWN BY EDB</td><td>11/08/96</td></tr> <tr><td>CHECKED BY JH</td><td>11/08/96</td></tr> <tr><td>APPROVED BY RWD</td><td>11/08/96</td></tr> </table> | IN/MM | DATE | DRAWN BY EDB | 11/08/96 | CHECKED BY JH | 11/08/96 | APPROVED BY RWD | 11/08/96 | 5:1 | INCH |  |
|  | mm  | INCH  |                           |                                     |                            |                        |                |        |                 |       |                |       |  |       |      |              |          |               |          |                 |          |     |      |  |
|  | 4 PLACES ± ---  | ± ---   |                           |                                     |                            |                        |                |        |                 |       |                |       |  |       |      |              |          |               |          |                 |          |     |      |  |
| 3 PLACES ± ---   | ± .005  |   |                           |                                     |                            |                        |                |        |                 |       |                |       |  |       |      |              |          |               |          |                 |          |     |      |  |
| 2 PLACES ± 0.13  | ± .01   |   |                           |                                     |                            |                        |                |        |                 |       |                |       |  |       |      |              |          |               |          |                 |          |     |      |  |
| 1 PLACE ± 0.25   | ± ---   |   |                           |                                     |                            |                        |                |        |                 |       |                |       |  |       |      |              |          |               |          |                 |          |     |      |  |
| IN/MM  | DATE  |   |                           |                                     |                            |                        |                |        |                 |       |                |       |  |       |      |              |          |               |          |                 |          |     |      |  |
| DRAWN BY EDB   | 11/08/96  |   |                           |                                     |                            |                        |                |        |                 |       |                |       |  |       |      |              |          |               |          |                 |          |     |      |  |
| CHECKED BY JH  | 11/08/96  |   |                           |                                     |                            |                        |                |        |                 |       |                |       |  |       |      |              |          |               |          |                 |          |     |      |  |
| APPROVED BY RWD  | 11/08/96  |   |                           |                                     |                            |                        |                |        |                 |       |                |       |  |       |      |              |          |               |          |                 |          |     |      |  |
| DRAFT WHERE APPLICABLE<br>MUST REMAIN WITHIN DIMENSIONS  | MATERIAL NO.<br><b>SEE CHART</b>  | TITLE<br><b>QUICK DISCONNECT<br/>         PCB MOUNTABLE<br/>         .250 &amp; .187 X .032 TAB</b>   | <b>MOLEX INCORPORATED</b> | DOCUMENT NO.<br><b>SD-19705-400</b> | SHEET NO.<br><b>1 OF 1</b> |                        |                |        |                 |       |                |       |  |       |      |              |          |               |          |                 |          |     |      |  |
| REV L1   | THIS DRAWING CONTAINS INFORMATION THAT IS PROPRIETARY TO MOLEX INCORPORATED AND SHOULD NOT BE USED WITHOUT WRITTEN PERMISSION |   |                           |                                     |                            |                        |                |        |                 |       |                |       |  |       |      |              |          |               |          |                 |          |     |      |  |