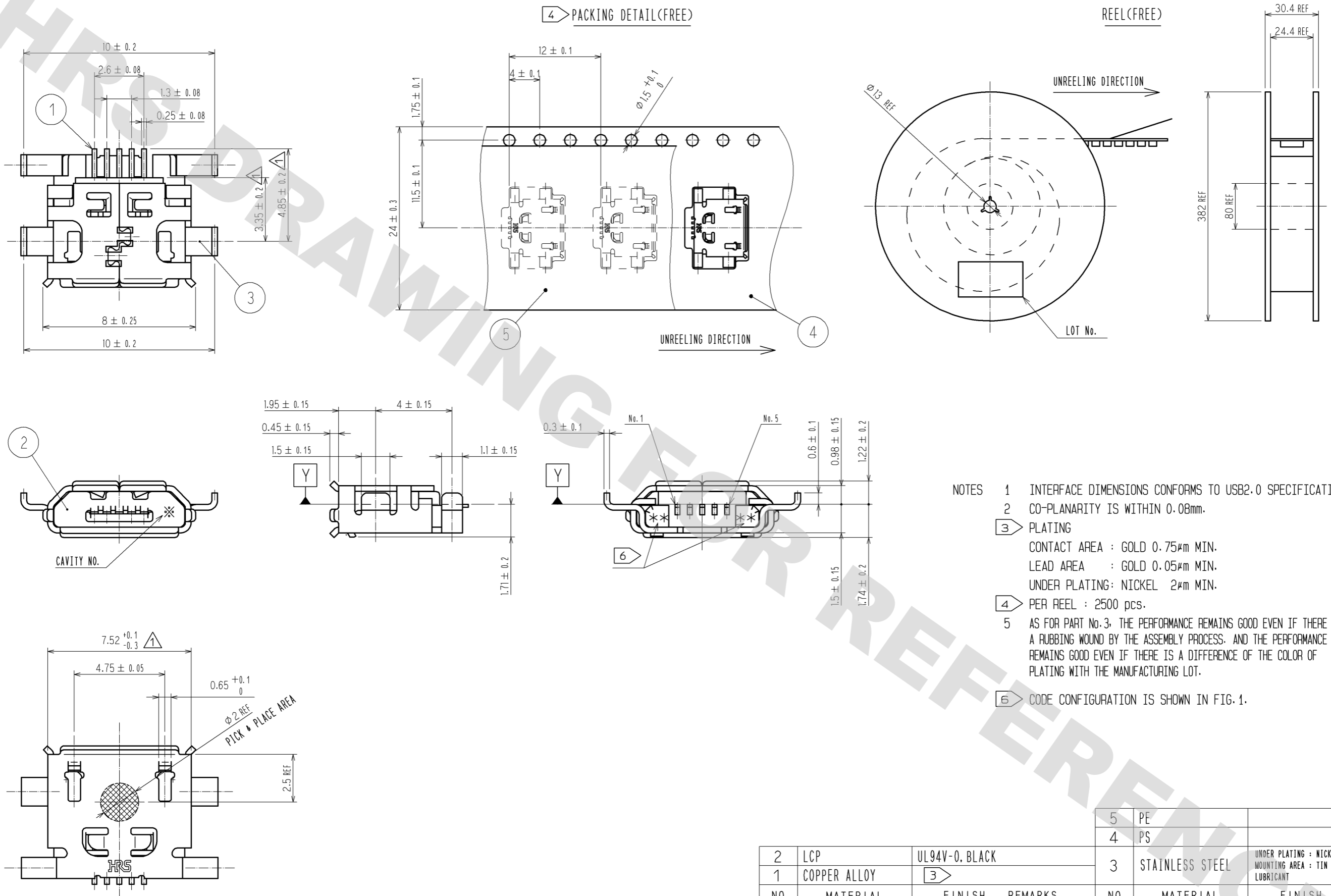


DRAWING FOR REFERENCE: This is subject to change without notice
08/11/2012



- NOTES
- 1 INTERFACE DIMENSIONS CONFORMS TO USB2.0 SPECIFICATION.
 - 2 CO-PLANARITY IS WITHIN 0.08mm.
 - 3 PLATING
CONTACT AREA : GOLD 0.75 μ m MIN.
LEAD AREA : GOLD 0.05 μ m MIN.
UNDER PLATING: NICKEL 2 μ m MIN.
 - 4 PER REEL : 2500 pcs.
 - 5 AS FOR PART No.3, THE PERFORMANCE REMAINS GOOD EVEN IF THERE IS A RUBBING WOUND BY THE ASSEMBLY PROCESS. AND THE PERFORMANCE REMAINS GOOD EVEN IF THERE IS A DIFFERENCE OF THE COLOR OF PLATING WITH THE MANUFACTURING LOT.
 - 6 CODE CONFIGURATION IS SHOWN IN FIG.1.

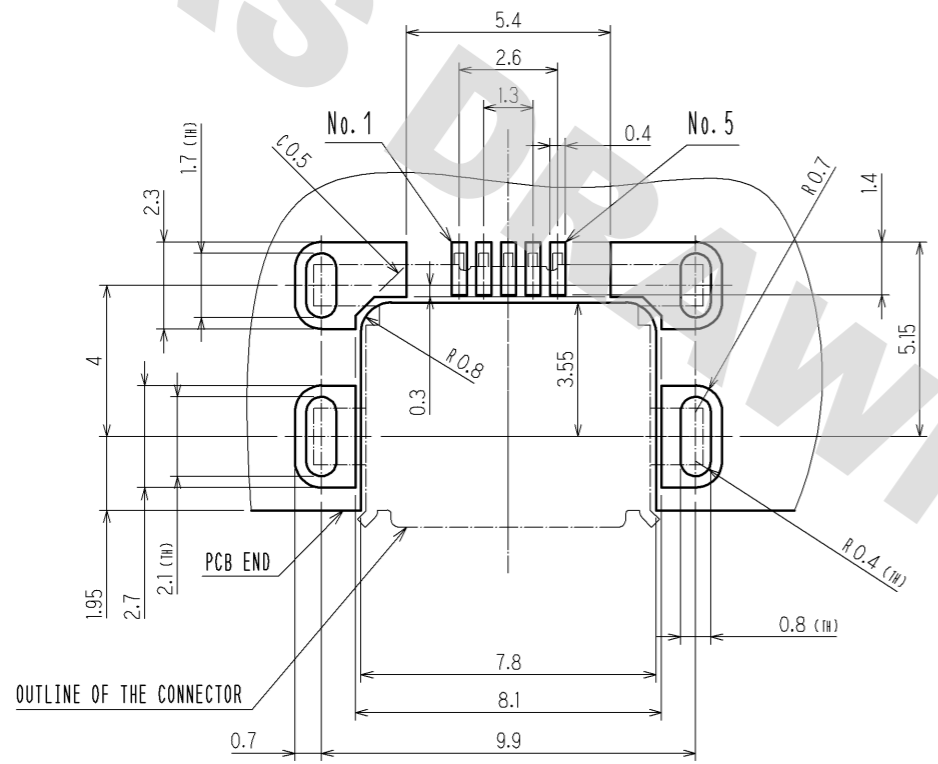
2	LCP	UL94V-0. BLACK	5	PE	
1	COPPER ALLOY	3	4	PS	
			3	STAINLESS STEEL	UNDER PLATING : NICKEL 0.2 μ m min MOUNTING AREA : TIN 1 μ m min LUBRICANT
NO.	MATERIAL	FINISH . REMARKS	NO.	MATERIAL	FINISH . REMARKS
UNITS		SCALE	Δ の数		
mm		5 : 1	3	DIS-E-002389	
APPROVED : KN. ICHIKAWA 08.07.16			DRAWING NO. EDC3-126701-00		
CHECKED : RZ. KOYAMA 08.07.16			PART NO. ZX62MD2-B-5PA		
DESIGNED : YS. TAKEUCHI 08.07.16			CODE NO. CL242-0050-7-00		
DRAWN : YS. TAKEUCHI 08.07.16					
HRS HIROSE ELECTRIC CO., LTD.				YS. TAKEUCHI RZ. KOYAMA 08.07.31	

DRAWING FOR REFERENCE: This is subject to change without notice
08/11/2012

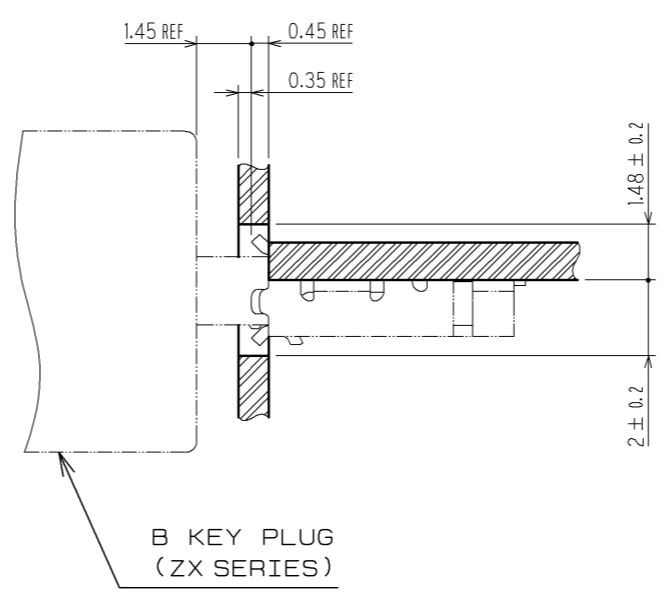
HRS

RECOMMENDED PATTERN

GENERAL TOLERANCE IS ± 0.05



MATED WITH CORRESPONDING PLUG



RECOMMENDED PANEL CUTOUT

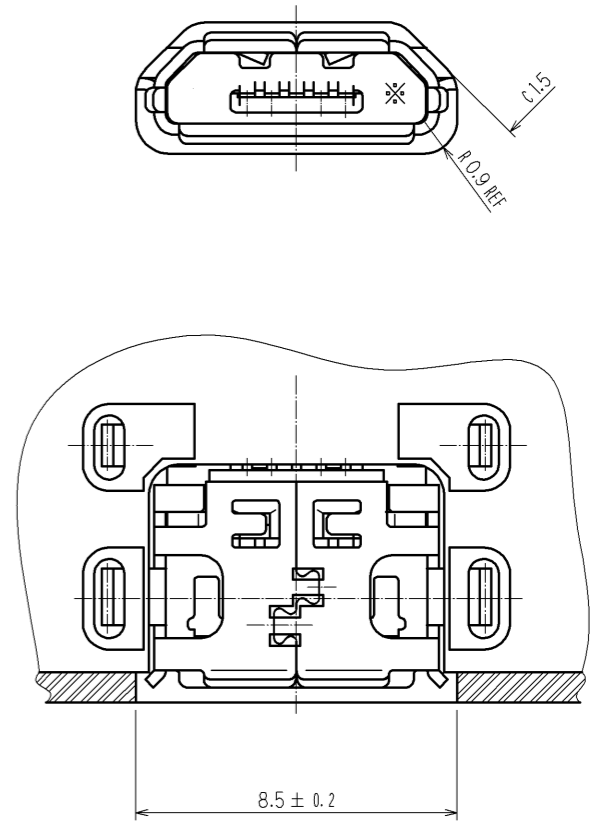
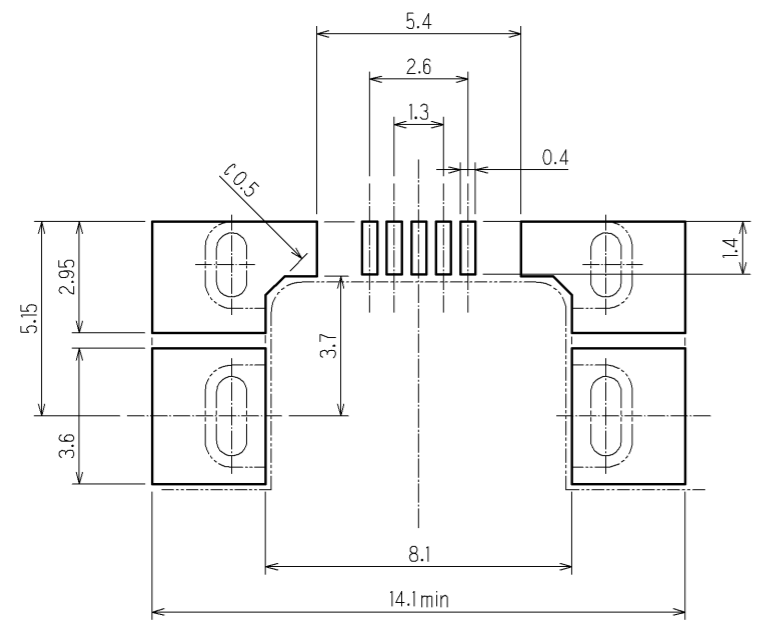


FIG-1 LOT CODE CONFIGURATION

EX. $\begin{matrix} \text{B} & \text{C} & \text{6} & \text{A} \\ \text{①} & \text{②} & \text{③} & \text{④} \end{matrix}$ → 6TH MARCH 2008 : LINE No. 1

RECOMMENDED MASK OPENING

RECOMMENDED MASK THICKNESS : $t = 0.10\text{mm}$



①		②		③				④			
YEAR	CODE	MONTH	CODE	DAY	CODE	DAY	CODE	DAY	CODE	LINE No.	CODE
2008	B	Jan.	A	1	1	11	B	21	M	1	A
2009	9	Feb.	B	2	2	12	C	22	N	2	B
2010	0	Mar.	C	3	3	13	D	23	P	3	C
.		Apr.	D	4	4	14	E	24	Q	4	D
.		May.	E	5	5	15	F	25	R	5	E
		Jun.	F	6	6	16	G	26	S	6	F
		Jul.	G	7	7	17	H	27	T	7	G
		Aug.	H	8	8	18	J	28	U	8	H
		Sep.	I	9	9	19	K	29	V	9	I
		Oct.	J	10	A	20	L	30	W	10	J
		Nov.	K					31	X	11	K
		Dec.	L								

HRS	DRAWING NO.	EDC3-126701-00
	PART NO.	ZX62MD2-B-5PA
	CODE NO.	CL242-0050-7-00
		2/2