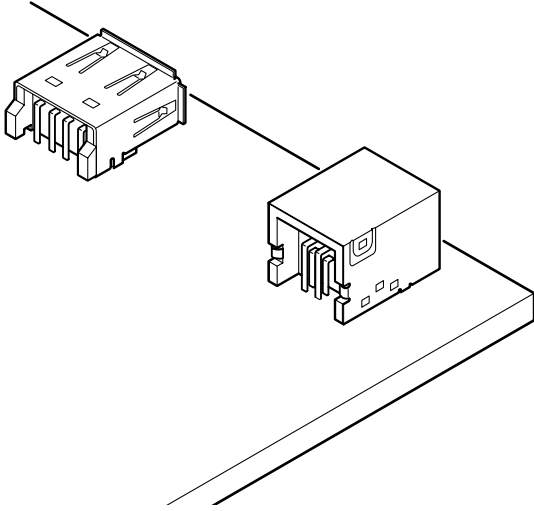




UB CONNECTOR

USB (Universal Serial Bus) Conforming Connector



- **Conforms to USB (Universal Serial Bus) 2.0 standards**
- **Secure EMI shielding effect**
- **SMT configuration**

Specifications

- Current rating: 1.0A AC, DC/ line
- Voltage rating: 30V AC, DC
- Temperature range: -55°C to +85°C
(including temperature rise in applying electrical current)
- Contact resistance: Initial value/30m Ω max.
After environmental testing/10m Ω max.
(variation from initial value)
- Insulation resistance: 1,000M Ω min.
- Withstanding voltage: 750V AC/minute
- * Compliant with RoHS.
- * Refer to "General Instruction and Notice when using Terminals and Connectors" at the end of this catalog.
- * Contact JST for details.

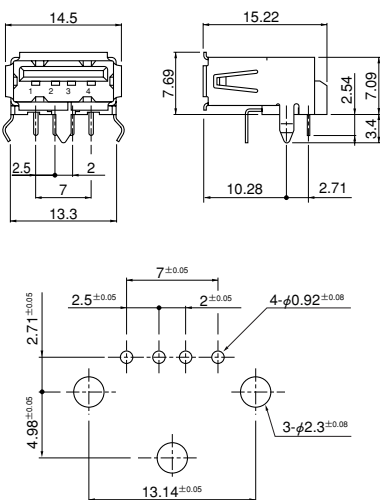
Standards

- Ⓜ Recognized E60389
- Ⓢ Certified LR20812

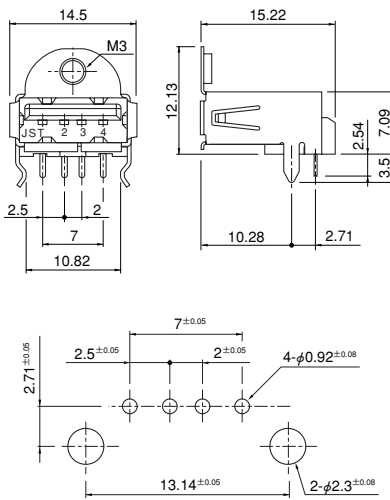
Receptacle

USB 2.0 certified product

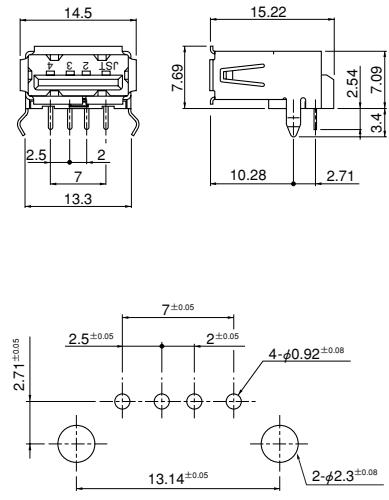
Type A <Through-hole type> Normal



Type A <Through-hole type> With upper flange



Type A <Through-hole type> Reverse



Model No.	Material and Finish	Qty / box
UBA-4R-D14T-4D	Contact	Copper alloy, nickel-undercoated, selective gold-plated
	Housing	Thermoplastic resin, UL94V-0
	Shell	Copper alloy, nickel-undercoated, tin-plated
	Solder tab	Copper alloy, copper-undercoated, tin-plated (reflow treatment)

Model No.	Material and Finish	Qty / box
UBA-4R-D14C-4D	Contact	Copper alloy, nickel-undercoated, selective gold-plated
	Housing	Thermoplastic resin, UL94V-0
	Shell	Copper alloy, nickel-undercoated, tin-plated

RoHS compliance This product displays (LF)(SN) on a label.

Model No.	Material and Finish	Qty / box
UBA-R4R-D14-4D	Contact	Copper alloy, nickel-undercoated, selective gold-plated
	Housing	Thermoplastic resin, UL94V-0
	Shell	Copper alloy, nickel-undercoated, tin-plated

RoHS compliance This product displays (LF)(SN) on a label.

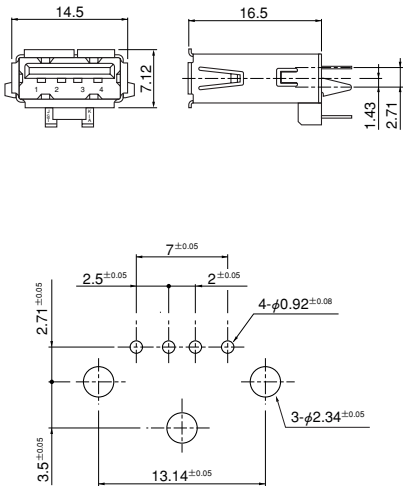
RoHS compliance This product displays (LF)(SN) on a label.

Note: The dimensions above should serve as a guideline. Contact JST for details.

Receptacle

USB 2.0 certified product

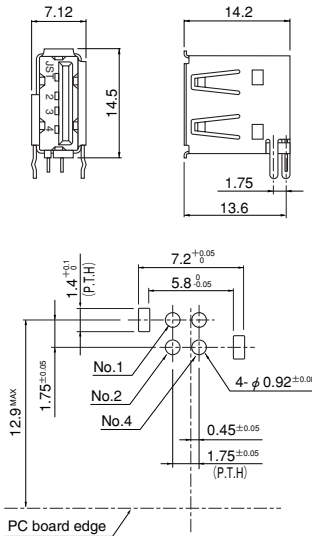
Type A <Through-hole type> Straight, normal



Model No.	Material and Finish	Qty / box
UBAS-4R-D14D-4D	Contact	Copper alloy, nickel-undercoated, selective gold-plated
	Housing	Thermoplastic resin, UL94V-0
	Shell	Copper alloy, nickel-undercoated, tin-plated
		250

RoHS compliance This product displays (LF)(SN) on a label.
 Note: The dimensions above should serve as a guideline. Contact JST for details.

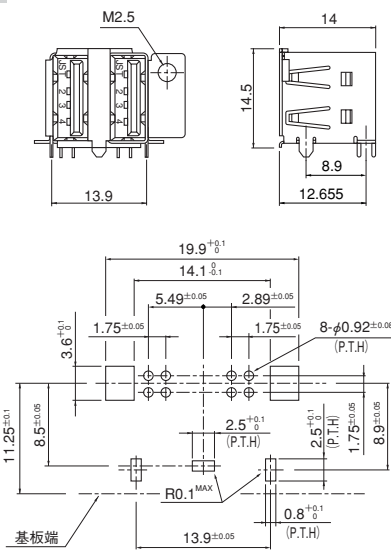
Type A <Through-hole type> Vertical, normal



Model No.	Material and Finish	Qty / box
UBAL-4R-D14-4S	Contact	Copper alloy, nickel-undercoated, selective gold-plated
	Housing	Thermoplastic resin, UL94V-0
	Shell	Copper alloy, nickel-undercoated, tin-plated
		350

RoHS compliance This product displays (LF)(SN) on a label.

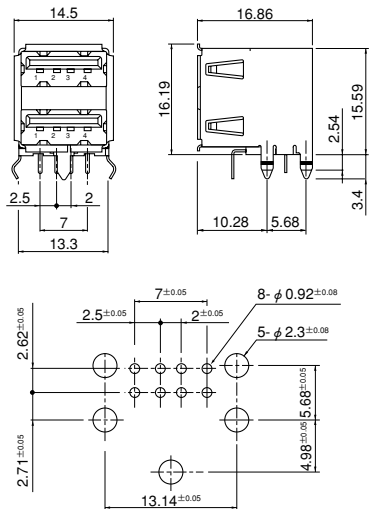
Type A <SMT/Through-hole type> Vertical, dual-row



Model No.	Material and Finish	Qty / box
UBAL-4RS-D14K-4S	Contact	Copper alloy, nickel-undercoated, selective gold-plated
	Housing	Thermoplastic resin, UL94V-0
	Shell A	Copper alloy, nickel-undercoated, tin-plated
	Shell B	Copper alloy, nickel-undercoated, tin-plated
		105

RoHS compliance This product displays (LF)(SN) on a label.

Type A <Through-hole type> Double-stack

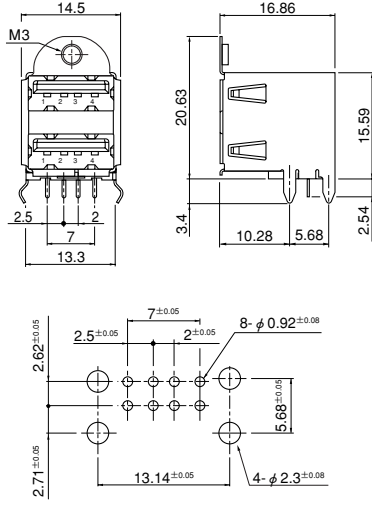


Model No.	Material and Finish	Qty / box
UBA-4RS-D14T-4D	Contact	Copper alloy, nickel-undercoated, selective gold-plated
	Housing	Thermoplastic resin, UL94V-0
	Locater	
	Shell A	Copper alloy, nickel-undercoated, tin-plated
	Shell B	Copper alloy, nickel-undercoated, tin-plated
	Solder tab	Copper alloy, copper-undercoated, tin-plated (reflow treatment)
		210

RoHS compliance This product displays (LF)(SN) on a label.

Note: The dimensions above should serve as a guideline. Contact JST for details.

Type A <Through-hole type> Double-stack with upper flange



Model No.	Material and Finish	Qty / box
UBA-4RS-D14C-4D	Contact	Copper alloy, nickel-undercoated, selective gold-plated
	Housing	Thermoplastic resin, UL94V-0
	Locater	
	Shell A	Copper alloy, nickel-undercoated, tin-plated
	Shell B	Copper alloy, nickel-undercoated, tin-plated
		-

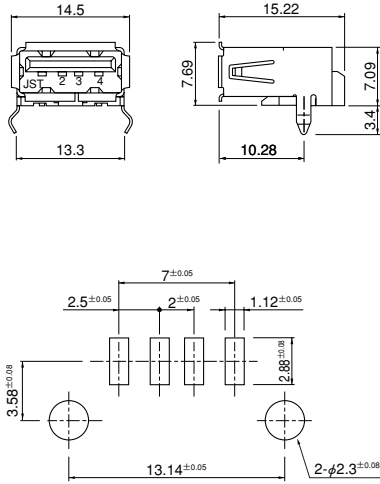
RoHS compliance This product displays (LF)(SN) on a label.

UB CONNECTOR

Receptacle

USB 2.0 certified product

Type A <SMT type> Without flange

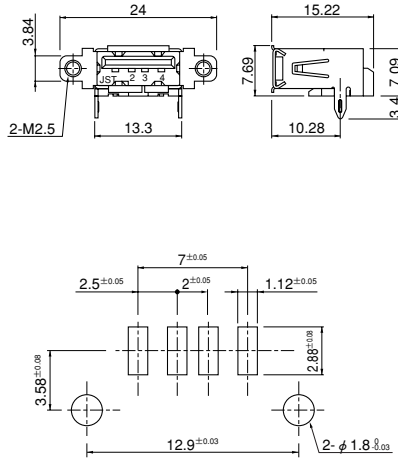


Model No.	Material and Finish	Qty / box
UBA-4R-S14-4S	Contact	Copper alloy, nickel-undercoated, selective gold-plated
	Housing	Thermoplastic resin, UL94V-0
	Shell	Copper alloy, nickel-undercoated, tin-plated
		250

RoHS compliance This product displays (LF)(SN) on a label.

Note: The dimensions above should serve as a guideline. Contact JST for details.

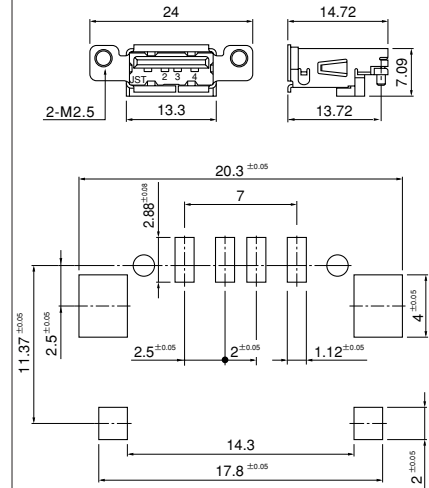
Type A <SMT type> With side flange



Model No.	Material and Finish	Qty / box
UBA-4R-S14A-4S	Contact	Copper alloy, nickel-undercoated, selective gold-plated
	Housing	Thermoplastic resin, UL94V-0
	Shell	Copper alloy, nickel-undercoated, tin-plated
		192

RoHS compliance This product displays (LF)(SN) on a label.

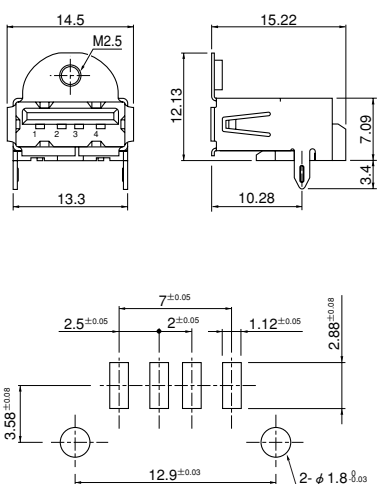
Type A <SMT type, off-set 3mm> With side flange



Model No.	Material and Finish	Qty / box
UBA-4R-S14B-4S	Contact	Copper alloy, nickel-undercoated, selective gold-plated
	Housing	Thermoplastic resin, UL94V-0
	Shell	Copper alloy, nickel-undercoated, tin-plated
		378

RoHS compliance This product displays (LF)(SN) on a label.

Type A <SMT type> With upper flange

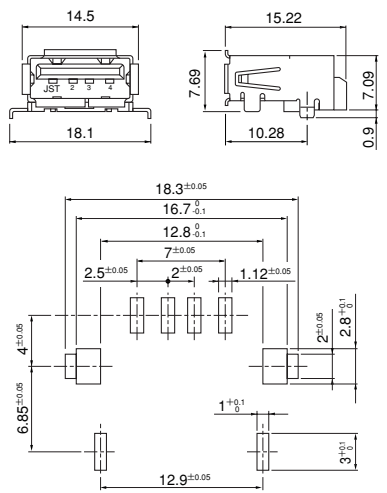


Model No.	Material and Finish	Qty / box
UBA-4R-S14C-4S	Contact	Copper alloy, nickel-undercoated, selective gold-plated
	Housing	Thermoplastic resin, UL94V-0
	Shell	Copper alloy, nickel-undercoated, tin-plated
		216

RoHS compliance This product displays (LF)(SN) on a label.

Note: The dimensions above should serve as a guideline. Contact JST for details.

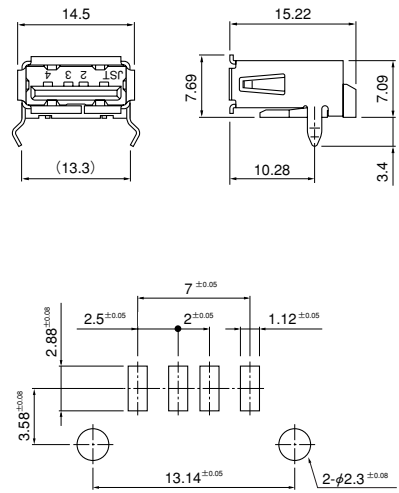
Type A <SMT type> FULL SMT



Model No.	Material and Finish	Qty / box
UBA-4R-S14HD-4S	Contact	Copper alloy, nickel-undercoated, selective gold-plated
	Housing	Thermoplastic resin, UL94V-0
	Shell	Copper alloy, nickel-undercoated, tin-plated
		-

RoHS compliance This product displays (LF)(SN) on a label.

Type A <SMT type> Reverse

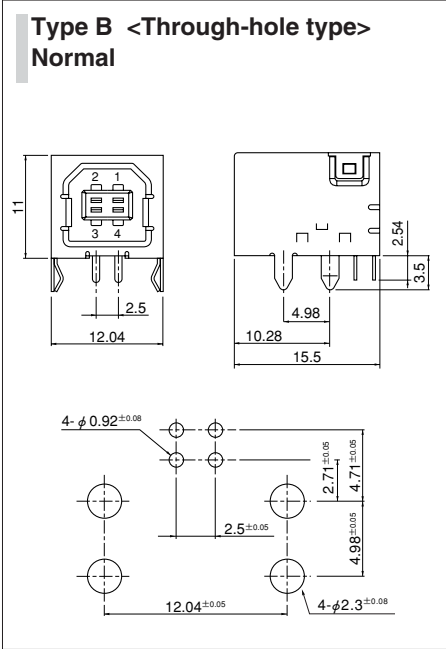


Model No.	Material and Finish	Qty / box
UBA-R4R-S14-4S	Contact	Copper alloy, nickel-undercoated, selective gold-plated
	Housing	Thermoplastic resin, UL94V-0
	Shell	Copper alloy, nickel-undercoated, tin-plated
		250

RoHS compliance This product displays (LF)(SN) on a label.

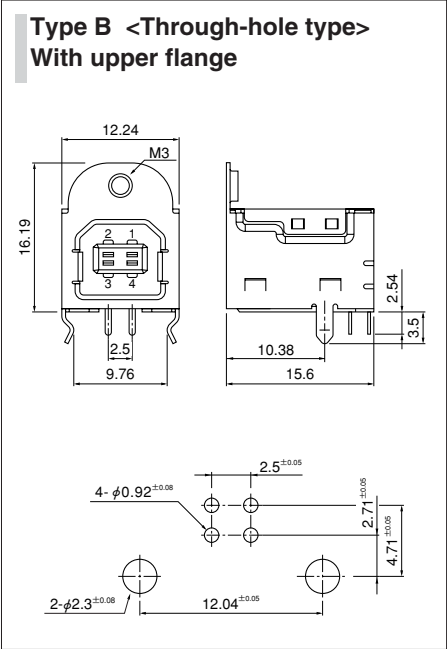
Receptacle

USB 2.0 certified product



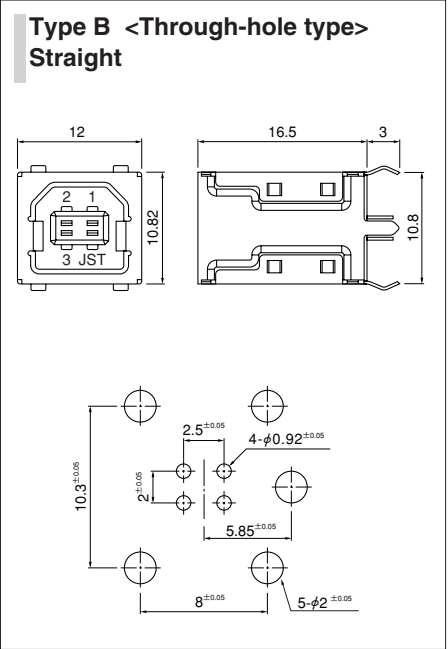
Model No.	Material and Finish	Qty / box
UBB-4R-D14T-4D	Contact	Copper alloy, nickel-undercoated, selective gold-plated
	Housing	Thermoplastic resin, UL94V-0
	Shell	Copper alloy, nickel-undercoated, tin-plated
		270

RoHS compliance This product displays (LF)(SN) on a label.
 Note: The dimensions above should serve as a guideline. Contact JST for details.



Model No.	Material and Finish	Qty / box
UBB-4R-D14C-4D	Contact	Copper alloy, nickel-undercoated, selective gold-plated
	Housing	Thermoplastic resin, UL94V-0
	Shell	Copper alloy, nickel-undercoated, tin-plated
		270

RoHS compliance This product displays (LF)(SN) on a label.

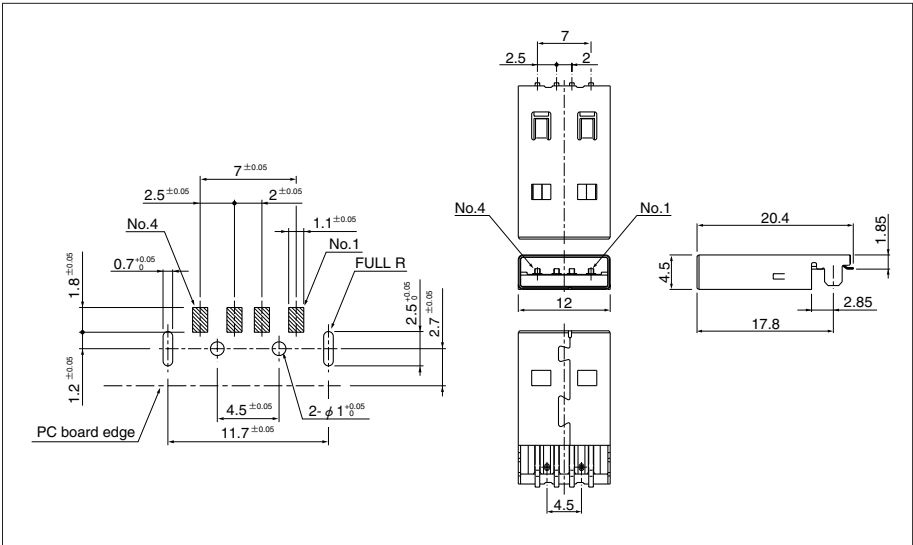


Model No.	Material and Finish	Qty / box
UBBS-4R-D14-4D	Contact	Copper alloy, nickel-undercoated, selective gold-plated
	Housing	Thermoplastic resin, UL94V-0
	Shell	Copper alloy, nickel-undercoated, tin-plated
		600

RoHS compliance This product displays (LF)(SN) on a label.

Plug type A SMT type

USB 2.0 certified product



Model No.	Material and Finish	Qty / box
UBA-4P-S14C	Contact	Copper alloy, nickel-undercoated, selective gold-plated
	Housing	Thermoplastic resin, UL94V-0
	Shell	Copper alloy, nickel-undercoated, palladium-plated
		5,580

RoHS compliance This product displays (LF)(SN) on a label.
 Note: 1. Not UL/CSA approved.
 2. The dimensions left should serve as a guideline.
 Contact JST for details.