

- Complies With SPI-2 and SPI-3 Standards
- 2.75-V to 7-V Operation
- 1.8-pF Channel Capacitance during Disconnect
- 0.5- μ A Supply Current in Disconnect Mode
- 110- Ω /2.5-k Ω Programmable Termination
- Completely Meets SCSI Hot Plugging
- -650-mA Sourcing Current for Termination
- +400-mA Sinking Current for Active Negation Drivers
- Trimmed Termination Current to 4%
- Trimmed Impedance to 7%
- Current Limit and Thermal Shutdown Protection

description

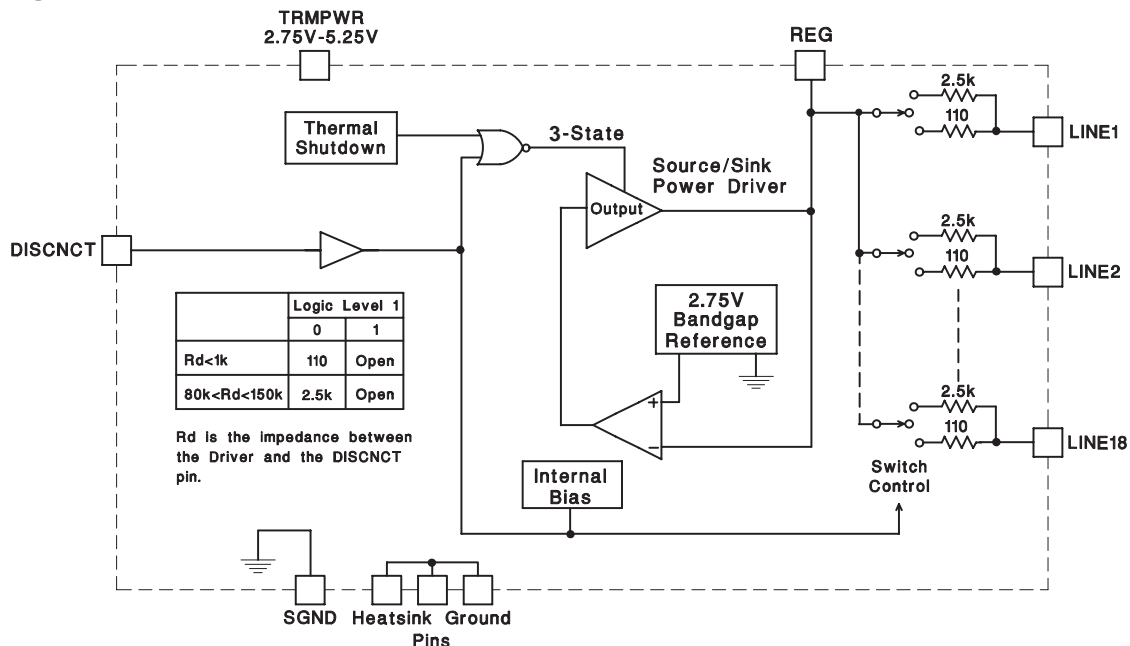
The UCC5610 provides 18 lines of active termination for a SCSI (small computer systems interface) parallel bus. The SCSI standard recommends active termination at both ends of the cable.

The UCC5610 is ideal for high performance 3.3-V SCSI systems. The key features contributing to such low operating voltage are the 0.1-V drop-out regulator and the 2.75-V reference. During disconnect the supply current is typically only 0.5 μ A, which makes the IC attractive for battery powered systems.

The UCC5610 is designed with an ultralow-channel capacitance of 1.8 pF, which eliminates effects on signal integrity from disconnected terminators at interim points on the bus.

The UCC5610 can be programmed for either a 110- Ω or 2.5-k Ω termination. The 110- Ω termination is used for standard SCSI bus lengths and the 2.5-k Ω termination is typically used in short bus applications. When driving the TTL compatible DISCNCT pin directly, the 110- Ω termination is connected when the DISCNCT pin is driven low, and disconnected when driven high. When the DISCNCT pin is driven through an impedance between 80 k Ω and 150 k Ω , the 2.5-k Ω termination is connected when the DISCNCT pin is driven low, and disconnected when driven high.

block diagram



UDG-94128-1



Please be aware that an important notice concerning availability, standard warranty, and use in critical applications of Texas Instruments semiconductor products and disclaimers thereto appears at the end of this data sheet.

PRODUCTION DATA information is current as of publication date. Products conform to specifications per the terms of Texas Instruments standard warranty. Production processing does not necessarily include testing of all parameters.

TEXAS
INSTRUMENTS

POST OFFICE BOX 655303 • DALLAS, TEXAS 75265

Copyright © 2000, Texas Instruments Incorporated

UCC5610

18-LINE 3-5 VOLT LOW CAPACITANCE SCSI ACTIVE TERMINATOR

SLUS362A – FEBRUARY 1997 – REVISED NOVEMBER 2000

description (continued)

The power amplifier output stage allows the UCC5610 to source full termination current and sink active negation current when all termination lines are actively negated.

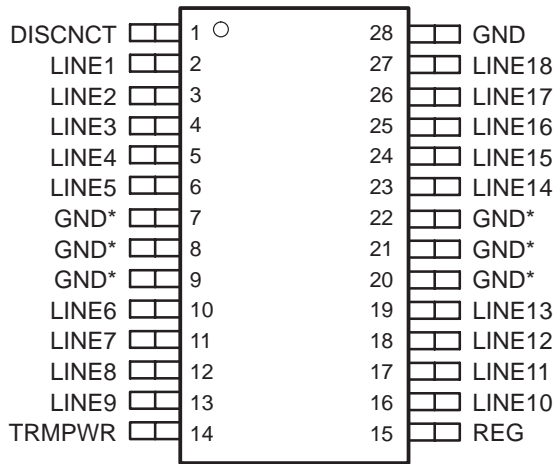
The UCC5610 is pin for pin compatible with Unitrode's other 18-line SCSI terminators, allowing lower capacitance and lower voltage upgrades to existing systems. The UCC5610, as with all Unitrode terminators, is completely hot-pluggable and appears as high impedance at the terminating channels with VTRMPWR = 0 V or open.

Internal circuit trimming is utilized, first to trim the 110-Ω termination impedance to a 7% tolerance, and then most importantly, to trim the output current to a 4% tolerance, which maximizes noise margin.

Other features include thermal shutdown and current limit.

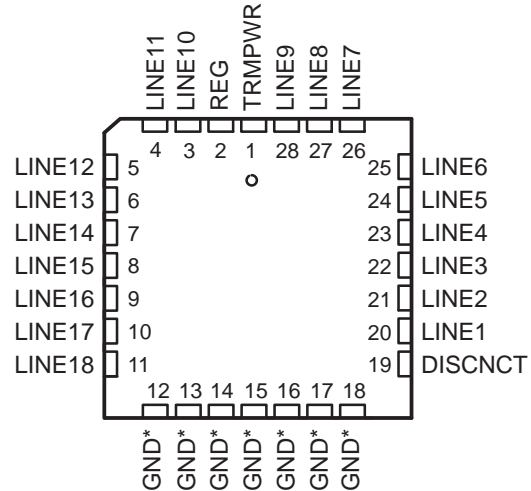
This device is offered in low thermal resistance versions of the industry standard 28-pin wide body SOIC and 28-pin PLCC.

**DWP PACKAGE
TOP VIEW**



* DWP package pin 28 serves as signal ground; pins 7, 8, 9, 20, 21, 22 serve as heatsink/ground.

**QP PACKAGE
TOP VIEW**



* QP package pins 12-18 serve as both heatsink and signal ground.

AVAILABLE OPTIONS

T _J	PACKAGED DEVICES†	
	SOIC (DWP)	PLCC (QP)
0°C to 70°C	UCC5610DWP	UCC5610QP

† Available tape and reeled. Add TR suffix to device type to order quantities of 1000 devices per reel.

UCC5610

18-LINE 3-5 VOLT LOW CAPACITANCE SCSI ACTIVE TERMINATOR

SLUS362A – FEBRUARY 1997 – REVISED NOVEMBER 2000

absolute maximum ratings over operating free-air temperature (unless otherwise noted)^{†‡}

Tempwr voltage	7 V
Signal line voltage	0 V to 7 V
Regulator output current	Self-regulating
Storage temperature	–65°C to 150°C
Operating temperature	–55°C to 150°C
Lead temperature (soldering, 10 Sec.)	300°C

[†] Stresses beyond those listed under “absolute maximum ratings” may cause permanent damage to the device. These are stress ratings only, and functional operation of the device at these or any other conditions beyond those indicated under “recommended operating conditions” is not implied. Exposure to absolute-maximum-rated conditions for extended periods may affect device reliability.

[‡] Unless otherwise specified all voltages are with respect to Ground. Currents are positive into, negative out of the specified terminal. Consult Packaging Section of Interface Products Data Book (TI Literature Number SLUD002) for thermal limitations and considerations of packages.

recommended operating conditions

Tempwr voltage	2.75 V to 5.25 V
Signal line voltage	0 V to 5 V
Disconnect input voltage	0 V to Tempwr

electrical characteristics, these specifications apply for $T_A = 0^\circ\text{C}$ to 70°C , $TRMPWR = 3.3\text{ V}$, $DISCNCT = 0\text{ V}$, $R_{DISCNCT} = 0\ \Omega$, $T_A = T_J$, (unless otherwise noted)

PARAMETER	TEST CONDITIONS	MIN	TYP	MAX	UNITS
Supply Current Section					
Tempwr supply current	All termination lines = open		1	2	mA
	All termination lines = 0.2 V		415	455	mA
Power down mode	DISCNCT = tempwr		0.5	5	μA
Output Section (110 Ω – Terminator Lines)					
Terminator impedance	See Note 4	102.3	110	117.7	Ω
Output high voltage	See Note 1	2.5	2.7	3.0	V
Max output current	$V_{LINE} = 0.2\text{ V}$, $T_J = 25^\circ\text{C}$	–25.4	–23	–22.1	mA
	$V_{LINE} = 0.2\text{ V}$	–25.4	–23	–21	mA
	$V_{LINE} = 0.2\text{ V}$, $TRMPWR = 3\text{ V}$, $T_J = 25^\circ\text{C}$ See Note 1	–25.4	–23	–20.2	mA
	$V_{LINE} = 0.2\text{ V}$, $TRMPWR = 3\text{ V}$, See Note 1	–25.4	–23	–19	mA
	$V_{LINE} = 0.5\text{ V}$			–22.4	mA
Output leakage	DISCNCT = 2.4 V, $TRMPWR = 0\text{ V}$ to 5.25 V		10	400	nA
Output capacitance	DISCNCT = 2.4 V, See Note 2, See Note 3, DWP package		1.8	2.5	pF
Output Section (2.5 kΩ – Terminator Lines) ($R_{DISCNCT} = 80\text{ k}\Omega$)					
Terminator impedance		2	2.5	3	k Ω
Output high voltage	$TRMPWR = 3\text{ V}$, See Note 1	2.5	2.7	3.0	V
Max output current	$V_{LINE} = 0.2\text{ V}$	–1.4	–1	–0.7	mA
	$V_{LINE} = 0.2\text{ V}$, $TRMPWR = 3\text{ V}$, See Note 1	–1.5	–1	–0.6	mA
Output leakage	DISCNCT = 2.4 V, $TRMPWR = 0$ to 5.25 V		10	400	nA
Output capacitance	DISCNCT = 2.4 V See Note 2, See Note 3, DWP package		1.8	2.5	pF

- NOTES: 1. Measuring each termination line while other 17 are low (0.2 V).
 2. Ensured by design. Not production tested.
 3. Output capacitance is measured at 0.5 V.
 4. Tested by measuring I_{OUT} with $V_{OUT} = 0.2\text{ V}$ and $V_{OUT} = V_{REG} - 0.1\text{ V}$ then calculating the impedance.



UCC5610 18-LINE 3-5 VOLT LOW CAPACITANCE SCSI ACTIVE TERMINATOR

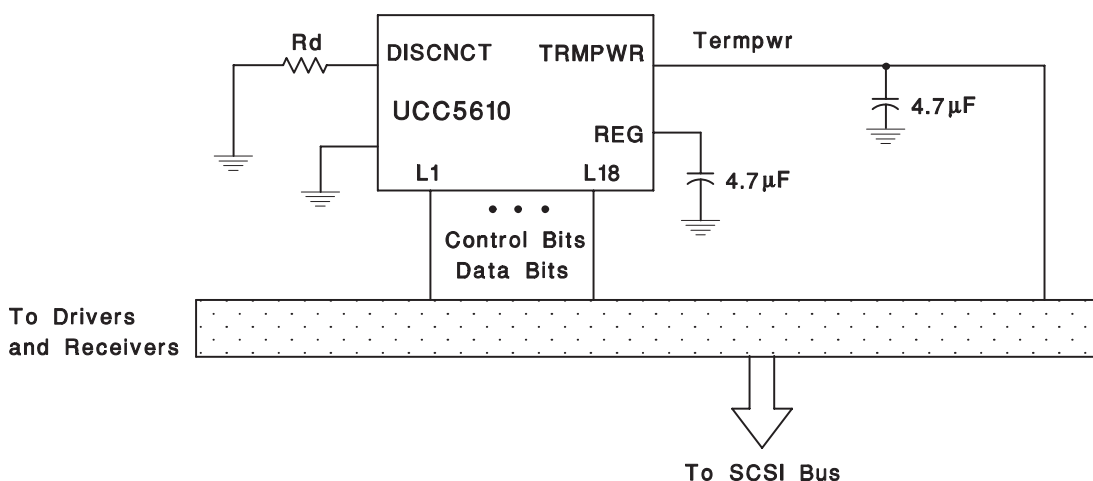
SLUS362A – FEBRUARY 1997 – REVISED NOVEMBER 2000

electrical characteristics, these specifications apply for $T_A = 0^\circ\text{C}$ to 70°C , $\text{TRMPWR} = 3.3\text{ V}$, $\text{DISCNCT} = 0\text{ V}$, $R_{\text{DISCNCT}} = 0\ \Omega$, $T_A = T_J$, (unless otherwise noted)

PARAMETER	TEST CONDITIONS	MIN	TYP	MAX	UNITS
Regulator Section					
Regulator output voltage	$5.25\text{ V} > \text{TRMPWR} > 3\text{ V}$	2.5	2.7	3.0	V
Drop out voltage	All termination lines = 0.2 V		0.1	0.2	V
Short circuit current	$V_{\text{REG}} = 0\text{ V}$	-800	-650	-450	mA
Sinking current capability	$V_{\text{REG}} = 3\text{ V}$	200	400	800	mA
Thermal shutdown	See Note 2		170		$^\circ\text{C}$
Thermal shutdown hysteresis	See Note 2		10		$^\circ\text{C}$
Disconnect Section					
Disconnect threshold	$R_{\text{DISCNCT}} = 0\ \Omega$ & $80\text{ k}\Omega$	0.8	1.5	2.0	V
Input current	$\text{DISCNCT} = 0\text{ V}$		30	50	μA

NOTES: 2. Ensured by design. Not production tested.

APPLICATION INFORMATION



UDG-94130

Figure 1. Typical SCSI Bus Configurations Utilizing a UCC5610 Device

PACKAGING INFORMATION

Orderable Device	Status ⁽¹⁾	Package Type	Package Drawing	Pins	Package Qty	Eco Plan ⁽²⁾	Lead/Ball Finish	MSL Peak Temp ⁽³⁾
UCC5610DWP	NRND	SOIC	DW	28		TBD	Call TI	Call TI
UCC5610DWPG4	NRND	SOIC	DW	28		TBD	Call TI	Call TI
UCC5610DWPTR	NRND	SOIC	DW	28		TBD	Call TI	Call TI
UCC5610DWPTRG4	NRND	SOIC	DW	28		TBD	Call TI	Call TI
UCC5610QP	NRND	PLCC	FN	28		TBD	Call TI	Call TI
UCC5610QPTR	NRND	PLCC	FN	28		TBD	Call TI	Call TI

⁽¹⁾ The marketing status values are defined as follows:

ACTIVE: Product device recommended for new designs.

LIFEBUY: TI has announced that the device will be discontinued, and a lifetime-buy period is in effect.

NRND: Not recommended for new designs. Device is in production to support existing customers, but TI does not recommend using this part in a new design.

PREVIEW: Device has been announced but is not in production. Samples may or may not be available.

OBsolete: TI has discontinued the production of the device.

⁽²⁾ Eco Plan - The planned eco-friendly classification: Pb-Free (RoHS), Pb-Free (RoHS Exempt), or Green (RoHS & no Sb/Br) - please check <http://www.ti.com/productcontent> for the latest availability information and additional product content details.

TBD: The Pb-Free/Green conversion plan has not been defined.

Pb-Free (RoHS): TI's terms "Lead-Free" or "Pb-Free" mean semiconductor products that are compatible with the current RoHS requirements for all 6 substances, including the requirement that lead not exceed 0.1% by weight in homogeneous materials. Where designed to be soldered at high temperatures, TI Pb-Free products are suitable for use in specified lead-free processes.

Pb-Free (RoHS Exempt): This component has a RoHS exemption for either 1) lead-based flip-chip solder bumps used between the die and package, or 2) lead-based die adhesive used between the die and leadframe. The component is otherwise considered Pb-Free (RoHS compatible) as defined above.

Green (RoHS & no Sb/Br): TI defines "Green" to mean Pb-Free (RoHS compatible), and free of Bromine (Br) and Antimony (Sb) based flame retardants (Br or Sb do not exceed 0.1% by weight in homogeneous material)

⁽³⁾ MSL, Peak Temp. -- The Moisture Sensitivity Level rating according to the JEDEC industry standard classifications, and peak solder temperature.

Important Information and Disclaimer: The information provided on this page represents TI's knowledge and belief as of the date that it is provided. TI bases its knowledge and belief on information provided by third parties, and makes no representation or warranty as to the accuracy of such information. Efforts are underway to better integrate information from third parties. TI has taken and continues to take reasonable steps to provide representative and accurate information but may not have conducted destructive testing or chemical analysis on incoming materials and chemicals. TI and TI suppliers consider certain information to be proprietary, and thus CAS numbers and other limited information may not be available for release.

In no event shall TI's liability arising out of such information exceed the total purchase price of the TI part(s) at issue in this document sold by TI to Customer on an annual basis.

IMPORTANT NOTICE

Texas Instruments Incorporated and its subsidiaries (TI) reserve the right to make corrections, modifications, enhancements, improvements, and other changes to its products and services at any time and to discontinue any product or service without notice. Customers should obtain the latest relevant information before placing orders and should verify that such information is current and complete. All products are sold subject to TI's terms and conditions of sale supplied at the time of order acknowledgment.

TI warrants performance of its hardware products to the specifications applicable at the time of sale in accordance with TI's standard warranty. Testing and other quality control techniques are used to the extent TI deems necessary to support this warranty. Except where mandated by government requirements, testing of all parameters of each product is not necessarily performed.

TI assumes no liability for applications assistance or customer product design. Customers are responsible for their products and applications using TI components. To minimize the risks associated with customer products and applications, customers should provide adequate design and operating safeguards.

TI does not warrant or represent that any license, either express or implied, is granted under any TI patent right, copyright, mask work right, or other TI intellectual property right relating to any combination, machine, or process in which TI products or services are used. Information published by TI regarding third-party products or services does not constitute a license from TI to use such products or services or a warranty or endorsement thereof. Use of such information may require a license from a third party under the patents or other intellectual property of the third party, or a license from TI under the patents or other intellectual property of TI.

Reproduction of TI information in TI data books or data sheets is permissible only if reproduction is without alteration and is accompanied by all associated warranties, conditions, limitations, and notices. Reproduction of this information with alteration is an unfair and deceptive business practice. TI is not responsible or liable for such altered documentation. Information of third parties may be subject to additional restrictions.

Resale of TI products or services with statements different from or beyond the parameters stated by TI for that product or service voids all express and any implied warranties for the associated TI product or service and is an unfair and deceptive business practice. TI is not responsible or liable for any such statements.

TI products are not authorized for use in safety-critical applications (such as life support) where a failure of the TI product would reasonably be expected to cause severe personal injury or death, unless officers of the parties have executed an agreement specifically governing such use. Buyers represent that they have all necessary expertise in the safety and regulatory ramifications of their applications, and acknowledge and agree that they are solely responsible for all legal, regulatory and safety-related requirements concerning their products and any use of TI products in such safety-critical applications, notwithstanding any applications-related information or support that may be provided by TI. Further, Buyers must fully indemnify TI and its representatives against any damages arising out of the use of TI products in such safety-critical applications.

TI products are neither designed nor intended for use in military/aerospace applications or environments unless the TI products are specifically designated by TI as military-grade or "enhanced plastic." Only products designated by TI as military-grade meet military specifications. Buyers acknowledge and agree that any such use of TI products which TI has not designated as military-grade is solely at the Buyer's risk, and that they are solely responsible for compliance with all legal and regulatory requirements in connection with such use.

TI products are neither designed nor intended for use in automotive applications or environments unless the specific TI products are designated by TI as compliant with ISO/TS 16949 requirements. Buyers acknowledge and agree that, if they use any non-designated products in automotive applications, TI will not be responsible for any failure to meet such requirements.

Following are URLs where you can obtain information on other Texas Instruments products and application solutions:

Products

Audio	www.ti.com/audio
Amplifiers	amplifier.ti.com
Data Converters	dataconverter.ti.com
DLP® Products	www.dlp.com
DSP	dsp.ti.com
Clocks and Timers	www.ti.com/clocks
Interface	interface.ti.com
Logic	logic.ti.com
Power Mgmt	power.ti.com
Microcontrollers	microcontroller.ti.com
RFID	www.ti-rfid.com
RF/IF and ZigBee® Solutions	www.ti.com/lprf

Applications

Communications and Telecom	www.ti.com/communications
Computers and Peripherals	www.ti.com/computers
Consumer Electronics	www.ti.com/consumer-apps
Energy and Lighting	www.ti.com/energy
Industrial	www.ti.com/industrial
Medical	www.ti.com/medical
Security	www.ti.com/security
Space, Avionics and Defense	www.ti.com/space-avionics-defense
Transportation and Automotive	www.ti.com/automotive
Video and Imaging	www.ti.com/video
Wireless	www.ti.com/wireless-apps

TI E2E Community Home Page

e2e.ti.com

Mailing Address: Texas Instruments, Post Office Box 655303, Dallas, Texas 75265
Copyright © 2011, Texas Instruments Incorporated