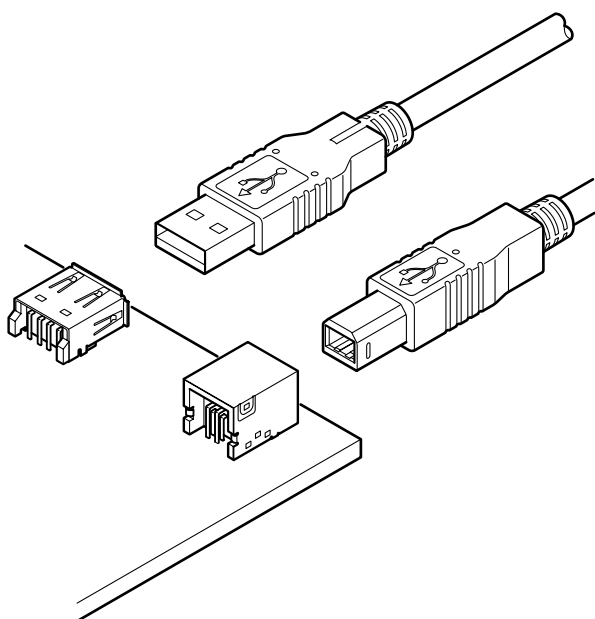


UB CONNECTOR

USB (Universal Serial Bus) Conforming Connector



Features

- **Conforms to USB (Universal Serial Bus) standards**

This connector conforms to the USB standards, that stipulate the serial interface between PC's and their peripherals.

Two types (A & B) are available.

- **Secure EMI shielding effect**

Metal shell of the receptacle and the metal cover of the plug securely shields from EMI. Meshed wires are crimped inside the metal cover of the plug for more reliable shielding effect.

- **Distortion preventive device**

Some receptacles have solder tabs to add additional security against the distortion.

- **SMT configuration**

SMT configuration type A receptacle is also available for reflow soldering.

Specifications

- Current rating: 1.0A AC, DC/ line
- Voltage rating: 30V AC, DC
- Temperature range: -55°C to +85°C
(including temperature rise in applying electrical current)
- Contact resistance: Initial value/30m Ω max.
After environmental testing/max.
10m Ω variation from initial value
- Insulation resistance: 1,000M Ω min.
- Withstanding voltage: 750V AC/minute
- Applicable wire (Plug): AWG #20 to #28
Insulation O.D. / 1.58 to 0.79mm (.062" to .031")
- Applicable cable O.D. (Plug): 5.3 to 3.4mm (.209" to .134")
- Applicable PC board thickness (Receptacle):
1.6mm (.063")

* Contact JST for details.

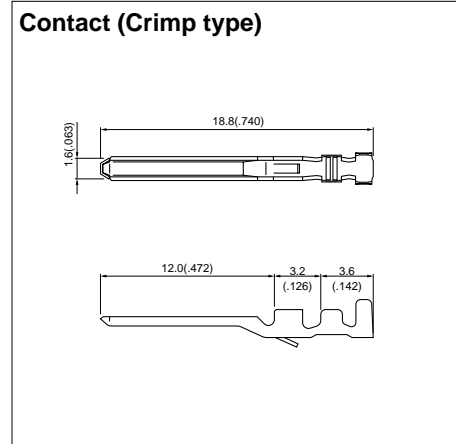
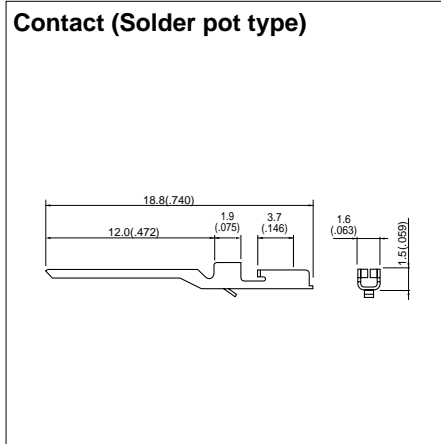
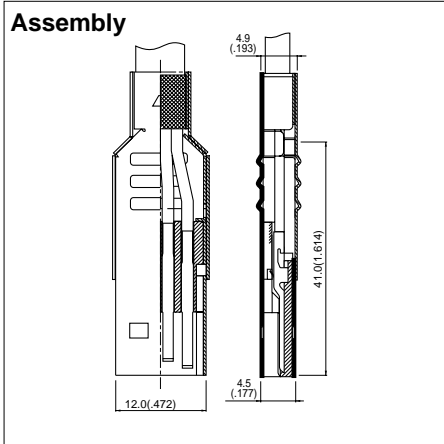
Standards

○ Recognized E60389

1 Certified LR20812

UB CONNECTOR

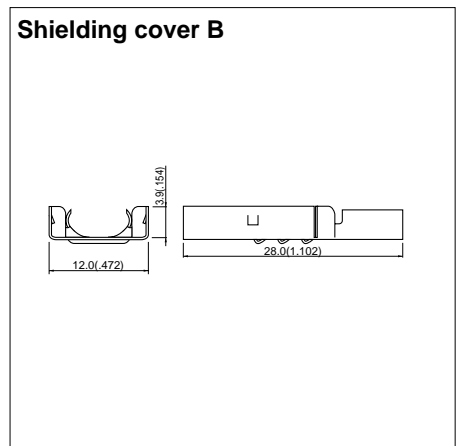
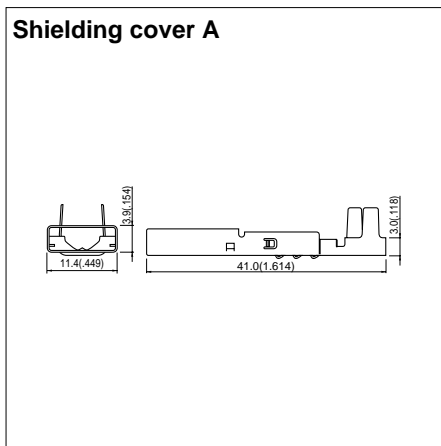
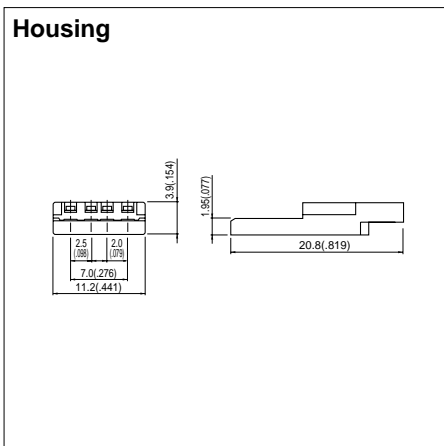
Plug type A



Model No.	Material and Finish
UBB-DP210	Copper alloy, nickel-undercoated, selective gold-plated

Model No.	Applicable wire		Q'ty / reel
	AWG#	Insulation O.D. mm(in.)	
UBB-SP1110	24 to 20	1.03 to 1.58(.041 to .062)	10,000
UBB-SP2110	28 to 24	0.79 to 1.17(.031 to .046)	12,000

Material and Finish
Copper alloy, nickel-undercoated, selective gold-plated



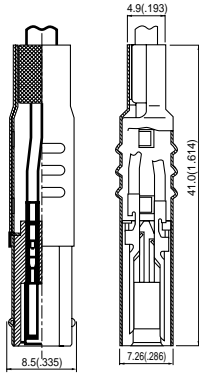
Model No.	Material
UBA-PH4-1	Glass-filled PBT, UL94V-0

Model No.	Material and Finish
UBA-SC4A	Mild steel, copper-undercoatd, tin/lead-plated

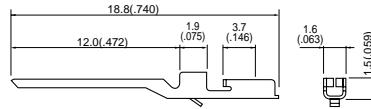
Model No.	Material and Finish
UBA-SC4B	Mild steel, copper-undercoatd, tin/lead-plated

Plug type B

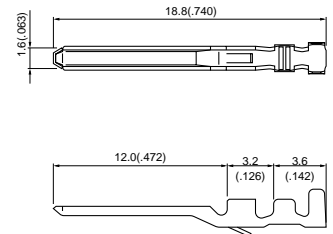
Assembly



Contact (Solder pot type)



Contact (Crimp type)

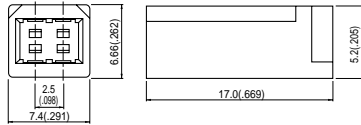


Model No.	Material and Finish
UBB-DP210	Copper alloy, nickel-undercoated, selective gold-plated

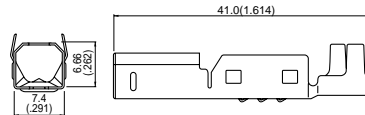
Model No.	Applicable wire		Q'ty / reel
	AWG#	Insulation O.D. mm(in.)	
UBB-SP1110	24 to 20	1.03 to 1.58(.041 to .062)	10,000
UBB-SP2110	28 to 24	0.79 to 1.17(.031 to .046)	12,000

Material and Finish
Copper alloy, nickel-undercoated, selective gold-plated

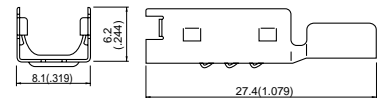
Housing



Shielding cover A



Shielding cover B



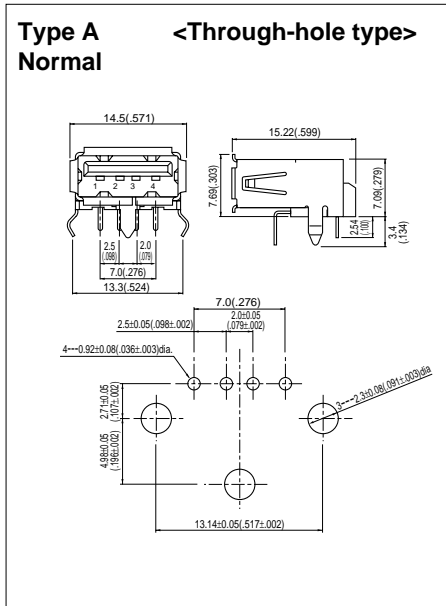
Model No.	Material
UBB-PH4-1	Glass-filled PBT, UL94V-0

Model No.	Material and Finish
UBB-SC4A	Mild steel, copper-undercoat, tin/lead-plated

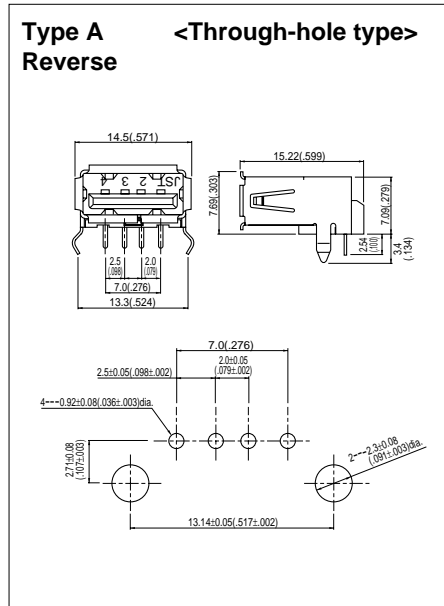
Model No.	Material and Finish
UBB-SC4B	Mild steel, copper-undercoat, tin/lead-plated

UB CONNECTOR

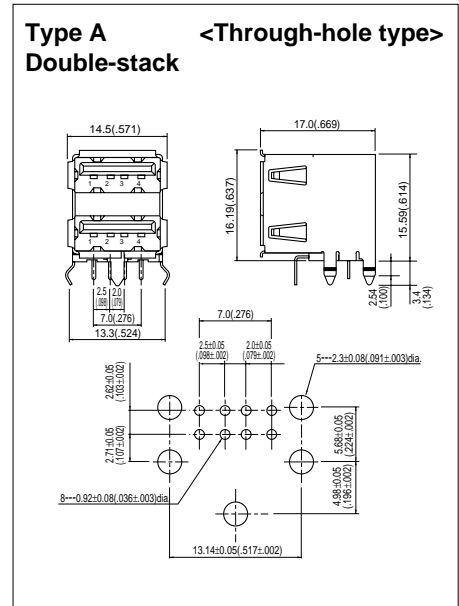
Receptacle



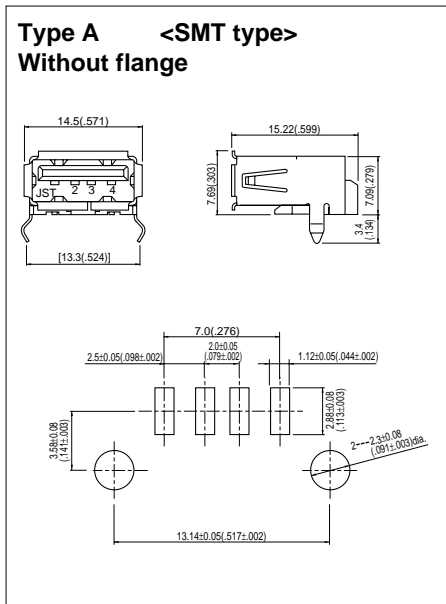
Model No.	Material and Finish	
UBA-4R-D10T-1	Contact	Copper alloy, nickel-undercoated, selective gold-plated
	Housing	Glass-filled PBT, UL94V-0
	Shell	Copper alloy, copper-undercoated, tin/lead-plated
	Solder tab	



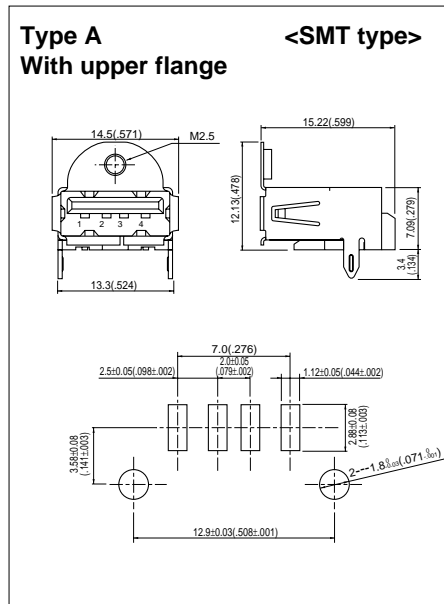
Model No.	Material and Finish	
UBA-R4R-D10-1	Contact	Copper alloy, nickel-undercoated, selective gold-plated
	Housing	Glass-filled PBT, UL94V-0
	Shell	Copper alloy, copper-undercoated, tin/lead-plated
	Solder tab	



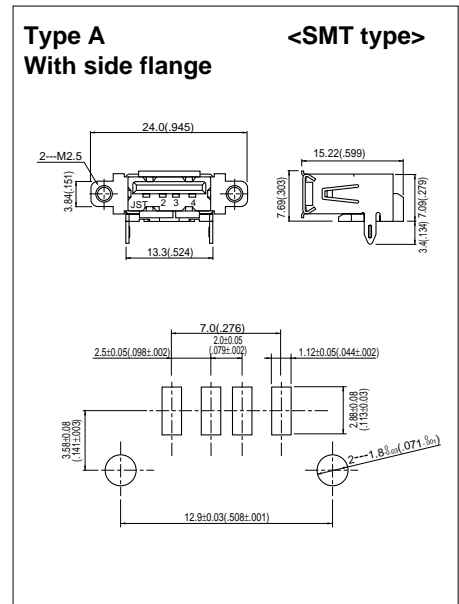
Model No.	Material and Finish	
UBA-4RS-D10T-1	Contact	Copper alloy, nickel-undercoated, selective gold-plated
	Housing	Glass-filled PBT, UL94V-0
	Locator	Glass-filled PBT, UL94V-0
	Shell	Copper alloy, copper-undercoated, tin/lead-plated
Solder tab		



Model No.	Material and Finish	
UBA-4R-S10-2	Contact	Copper alloy, nickel-undercoated, selective gold-plated
	Housing	Glass-filled PPS, UL94V-0
	Shell	Copper alloy, tin/nickel-plated

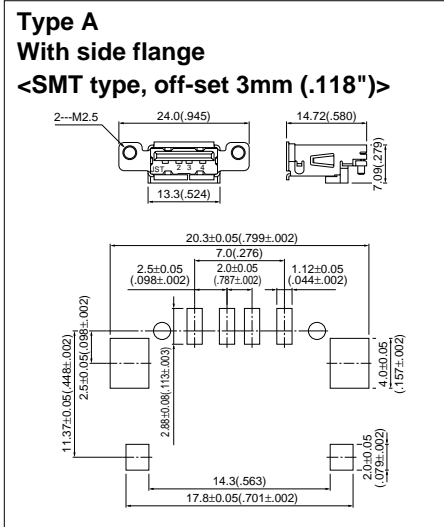


Model No.	Material and Finish	
UBA-4R-S10C-2	Contact	Copper alloy, nickel-undercoated, selective gold-plated
	Housing	Glass-filled PPS, UL94V-0
	Shell	Copper alloy, tin/nickel-plated

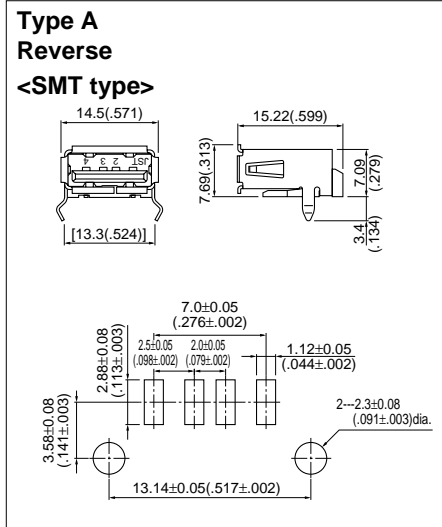


Model No.	Material and Finish	
UBA-4R-S10A-2	Contact	Copper alloy, nickel-undercoated, selective gold-plated
	Housing	Glass-filled PPS, UL94V-0
	Shell	Copper alloy, tin/nickel-plated

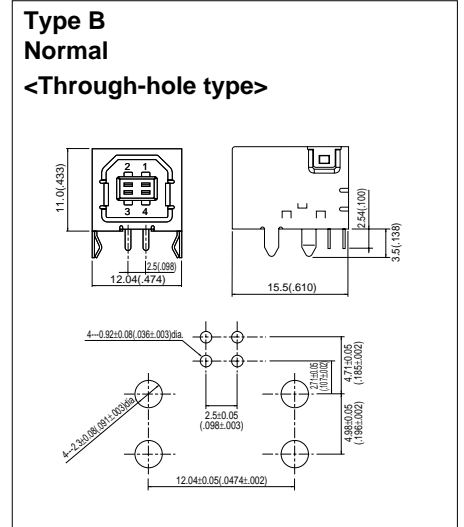
Receptacle



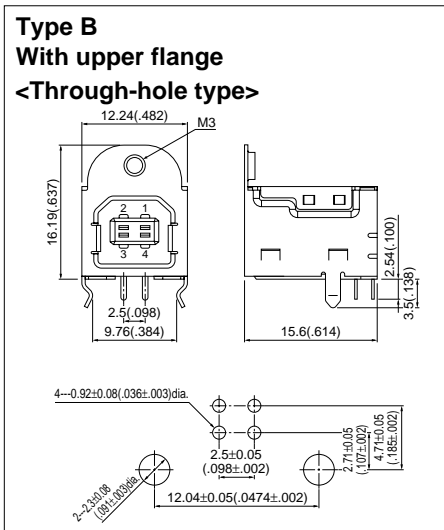
Model No.	Material and Finish	Qty/box
UBA-4R-S10B-2	Contact	Copper alloy, nickel-undercoated, selective gold-plated
	Housing	Glass-filled PPS, UL94V-0
	Shell	Copper alloy, tin/nickel-plated
		378



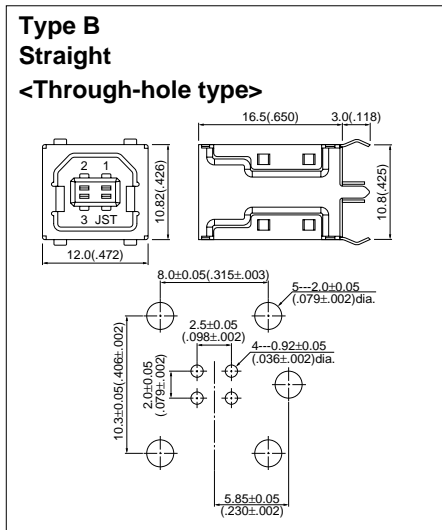
Model No.	Material and Finish	Qty/box
UBA-R4R-S10-2	Contact	Copper alloy, nickel-undercoated, selective gold-plated
	Housing	Glass-filled PPS, UL94V-0
	Shell	Copper alloy, tin/nickel-plated
		250



Model No.	Material and Finish	Qty/box
UBB-4R-D10T-1	Contact	Copper alloy, nickel-undercoated, selective gold-plated
	Housing	Glass-filled PBT, UL94V-0
	Shell	Copper alloy, copper-undercoated, tin/lead-plated
		270



Model No.	Material and Finish	Qty/box
UBB-4R-D14C	Contact	Copper alloy, nickel-undercoated, selective gold-plated
	Housing	Glass-filled PBT, UL94V-0
	Shell	Copper alloy, copper-undercoated, tin/lead-plated
		270



Model No.	Material and Finish	Qty/box
UBBS-4R-D10	Contact	Copper alloy, nickel-undercoated, selective gold-plated
	Housing	Glass-filled PBT, UL94V-0
	Shell	Copper alloy, copper-undercoated, tin/lead-plated
		-