

NOTES:1. MATING:

Jack: Interface Dimensions per Mil-C-39012/SMA Series and Solitron/Microwave MD-107.

Plug (slide-on): Mates with all SMA Jack per Mil-C-39012.

2. MATERIALS:

Body: Stainless Steel per QQ-S-764, Type 303, Cond. A.

Contacts: Beryllium Copper per QQ-C-530, Cond. H.

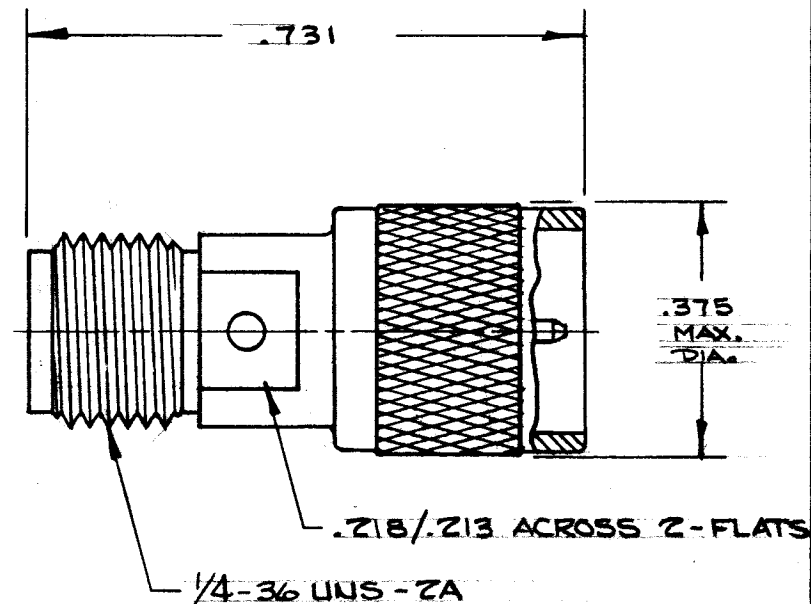
Insulator: Teflon per Mil-T-19468A.

3. FINISH:

Body: Passivate per QQ-P-35A, Type I.

Contact (Outer): Gold per Mil-G-45204, Type II, Class 1; over Copper per Mil-C-14550, Class 4.

Contact (Center): Gold per Mil-G-45204, Type II, Class 2; over Copper per Mil-C-14550, Class 4.



SYM	DESCRIPTION	DATE	APPR.	UNLESS OTHERWISE SPECIFIED	SOLITRON/MICROWAVE			REF.
REL.	F-05540	12-76	DGG	1. REMOVE ALL BURRS 2. BREAK ALL CORNERS & EDGES .005 R MAX. 3. CHAMFER 1ST & LAST THREADS 45° 4. SURFACE ROUGHNESS 63 MIL-STD-10 5. DIAMETERS ON COMMON CENTERS TO BE CONCENTRIC WITHIN T.I.R. 6. ALL DIMENSIONS ARE AFTER PLATING	PORT SALERNO, FLORIDA			ENGINEERING DATA DRAWING
A	REV. F-05567	1-4-77	DGG		MATERIAL	///	TITLE	SMA, JACK TO PLUG (SLIDE-ON), ADAPTER
B	REV. F-05599	1-19-77	DGG		FINISH	///		
C	REV. F-05605	1-24-77	DGG	DIMENSIONS ARE IN INCHES TOLERANCES	SCALE	CODE IDENT. NO.	SIZE	DRAWING NO.
D	REV. F-05648	2-11-77	DGG	DECIMALS FRACTIONAL ANGULAR .X ± .030 .XX ± .015 .XXX ± .005	///	95077	A	
E	REV. F-6120	11/20/77	DGG	± 1/64 X'X' ± 15'				
F	REV. F-6886	1/79	DGG	DRAWN ND DATE 12-27-76				
				CHECKED DATE				
				APPROVED DGG DATE 12-28-76				SF 2997-6009

"DESIGN CRITERIA"

SF2997-6009

REQUIREMENT	RATING	REQUIREMENT	RATING
Nominal Impedance (ohms)	50	Vibration	MIL-STD-202 method 204 Cond. D (20G's)
Frequency Range (ghz)	DC-18.0		
Voltage Rating (max. vrms)	335	Shock	MIL-STD-202 method 213 Cond. I (100G's)
Temperature Rating (degrees centigrade)	-65 To +165		
VSWR (max.)	1.05 +.005xFGHz	Temperature Cycling	MIL-STD-202 method 102 - Cond. C (-65 ^o C To +200 ^o C)
Insertion Loss (dB max.)	.04dBx√FGHz		
RF Leakage (min. dB down)	60 dB-FGHz	Corrosion	MIL-STD-202 method 101 Cond. B (48 hrs.)
RF High Potential (max. vrms)	670 AT 5MHz		
Dielectric Withstanding Voltage (max. vrms)	1000	Moisture Resistance	MIL-STD-202 method 1Q6 less step 7b
Insulation Resistance (min. megohms)	5000		
Contact Resistance Center Contact (max. milliohms) Outer Contact (max. milliohms)	6.0 4.0	Barometric Pressure (Altitude)	MIL-STD-202 method 105 Cond. C (70,000 ft.) (250 vrms)
Center Contact Axial Forces Insertion (max. ounces) Withdrawal (min. ounces)	FEMALE SOCKET 48.0 2.0		
Connector Durability (min. cycles)	2000	CONTACT CAPTIVATION: Axial Force (lbs. min.) Radial Torque (in.oz.min.)	10 4
Connector Engagement (Axial Forces) Connector Disengagement	10.0 Lbs. Max 6.0 Oz. Min.		

REMARKS: 1.) RECOMMENDED MATING TORQUE: 7-10 INCH POUNDS.

TITLE SMA, JACK TO PLUG
(SLIDE-ON), ADAPTER

SOLITRON/MICROWAVE
PORT SALERNO, FLORIDA

SHEET 2 OF 2

DRAWING NO.
SF2997-6009

REV.
II