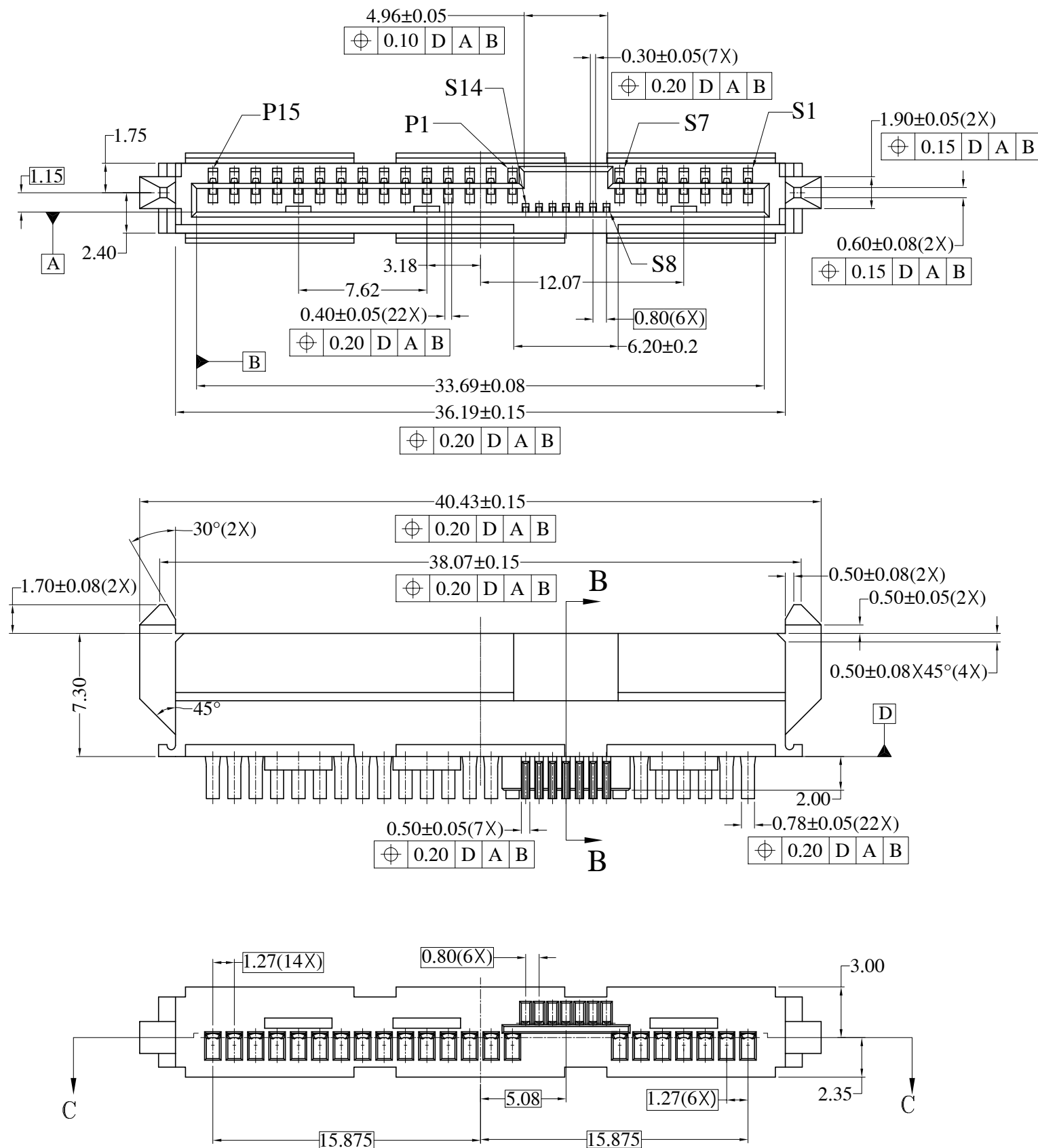


This document is the property of Amphenol Corporation and is delivered on the express condition that it is not to be disclosed, reproduced or used, in whole or in part, for manufacture or sale by anyone other than Amphenol Corporation without its prior consent, & that no right is granted to disclose or to use any information in this document.

REVISIONS				
SYM	ECN	DESCRIPTION	DATE	APPROVED
A	HKXXXX	Initially release	8/27/04	IP



- NOTES:
- MATERIAL HOUSING: PBT 30% GLASS FILLED UL94V-0, BLACK. OR EQUIVALENT HIGH TEMPERATURE PLASTIC.
CONTACT: PHOSPHOR BRONZE
PLATING: REFER TO P/N SYSTEM ON MATING AREA
1.27~2.54um NICKEL UNDERPLATE OVERALL
2.54~5.08um PURE TIN ON SOLDER TAIL
 - ELECTRICAL SPECIFICATION: CURRENT RATING: 1.5A
CONTACT RESISTANCE: 30mΩ MAX.
INSULATOR RESISTANCE: 1000MΩ MIN.
DIELECTRIC WITHSTANDING VOLTAGE: 500 V AC
 - ORDER P/N SYSTEM: SAS-F810-008-X

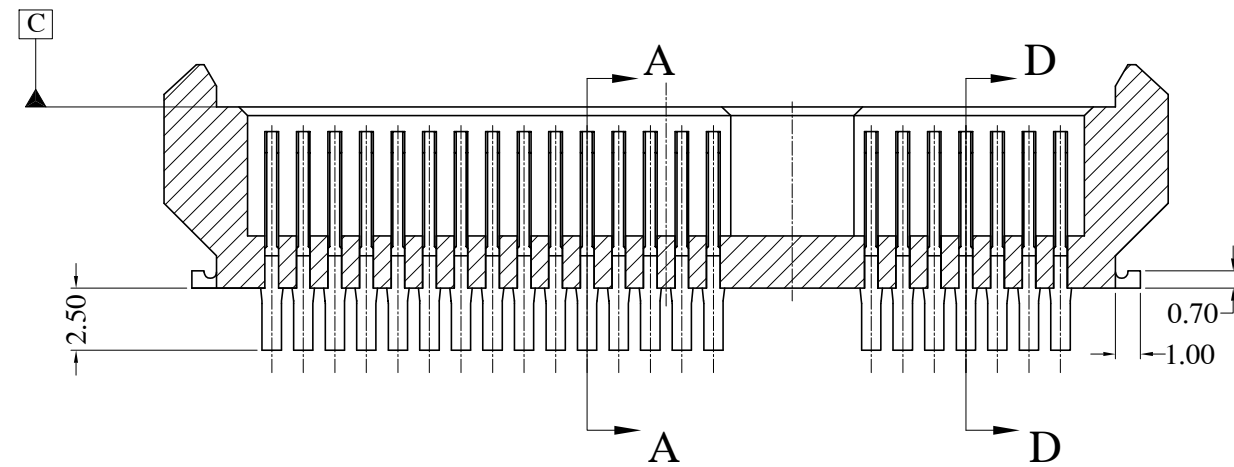
MATING AREA PLATING
 1- 0.76um MIN Au.
 2- 0.38um MIN Au.
 A- Gold FLASH

Customer Drawing

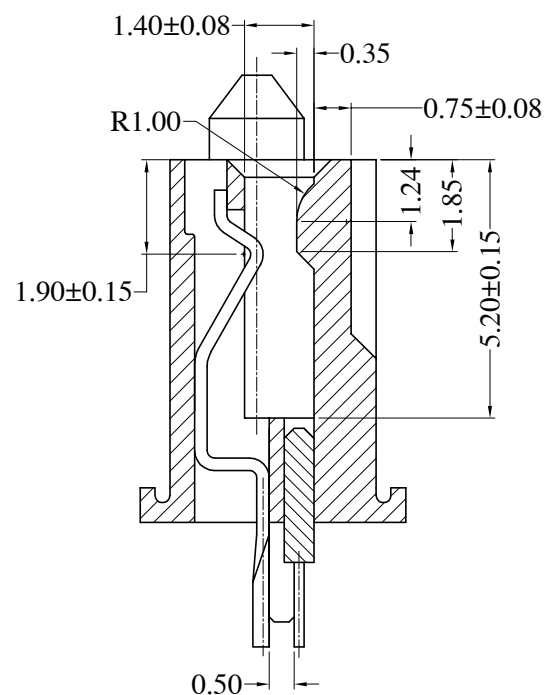
ITEM	PART NO.	REQ'D	DESCRIPTION
PARTS LIST			
UNLESS OTHERWISE SPECIFIED TOLERANCES		APPROVAL	DATE
U.S. METRIC		DRAWN RAN.XIAO	8/27/04
.X +/- / ±0.20		CHECKED IP	8/27/04
.XX +/- / ±0.10		CHECKED	
.XXX +/- / ±0.10		DRAWING FILE :	
FRACTIONS +/- /		PE MASTER DRAWING SAS-CSAS-F810-008-X	
ANGLES +/- /		TITLE	
FOR MATERIALS AND FINISHES SEE NOTES		SAS SOCKET WITH CABLE TERMINATION	
REMOVE SHARP EDGES		ANGLE OF PROJECTION	
DIMENSIONS			
U.S.	INCHES-		
(METRIC)	(MM)	SIZE A3	DRAWING NO. C SAS-F810-008-X
		SCALE NONE	REV. A
		SHEET 1 OF 2	

This document is the property of Amphenol Corporation and is delivered on the express condition that it is not to be disclosed, reproduced or used, in whole or in part, for manufacture or sale by anyone other than Amphenol Corporation without its prior consent, & that no right is granted to disclose or to use any information in this document.

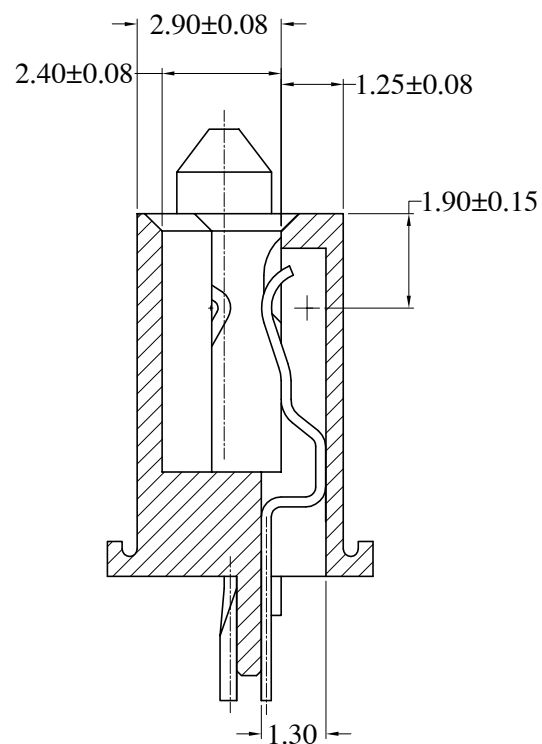
REVISIONS				
SYM	ECN	DESCRIPTION	DATE	APPROVED
A	HKXXXX	Initially release	8/27/04	IP



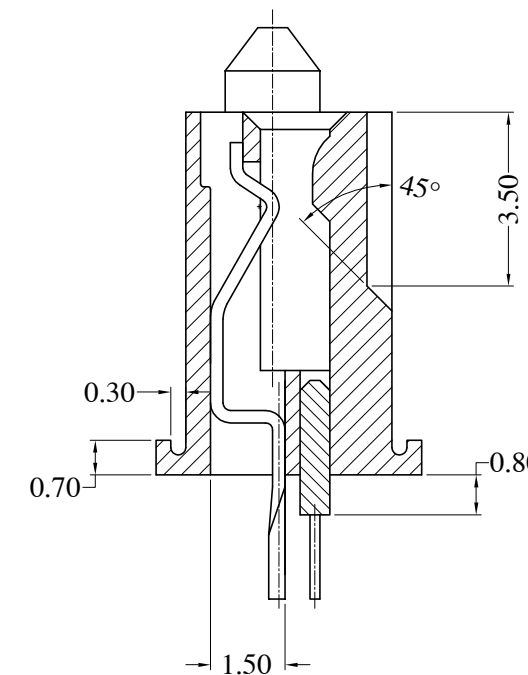
SECTION C-C



SECTION A-A



SECTION B-B



SECTION D-D

Customer

Drawing

ITEM	PART NO.	REQ'D	DESCRIPTION
PARTS LIST			
UNLESS OTHERWISE SPECIFIED TOLERANCES		APPROVAL	DATE
U.S. METRIC		DRAWN RAN.XIAO	8/27/04
.X +/- / ±0.20		CHECKED IP	8/27/04
.XX +/- / ±0.10		CHECKED	
.XXX +/- / ±0.10		DRAWING FILE : PE MASTER-DRAWING SAS CSAS-F810-008-X	
FRACTIONS +/- /		ANGLE OF PROJECTION	
ANGLES +/- /			
FOR MATERIALS AND FINISHES SEE NOTES		TITLE	
REMOVE SHARP EDGES		SAS SOCKET WITH CABLE TERMINATION	
DIMENSIONS			
U.S.	INCHES-	SIZE	DRAWING NO.
(METRIC)	(MM)	A3	C SAS-F810-008-X
		SCALE	REV.
		NONE	A
		SHEET 2 OF 2	