

# Rotary Type with Encoder SDDE Series

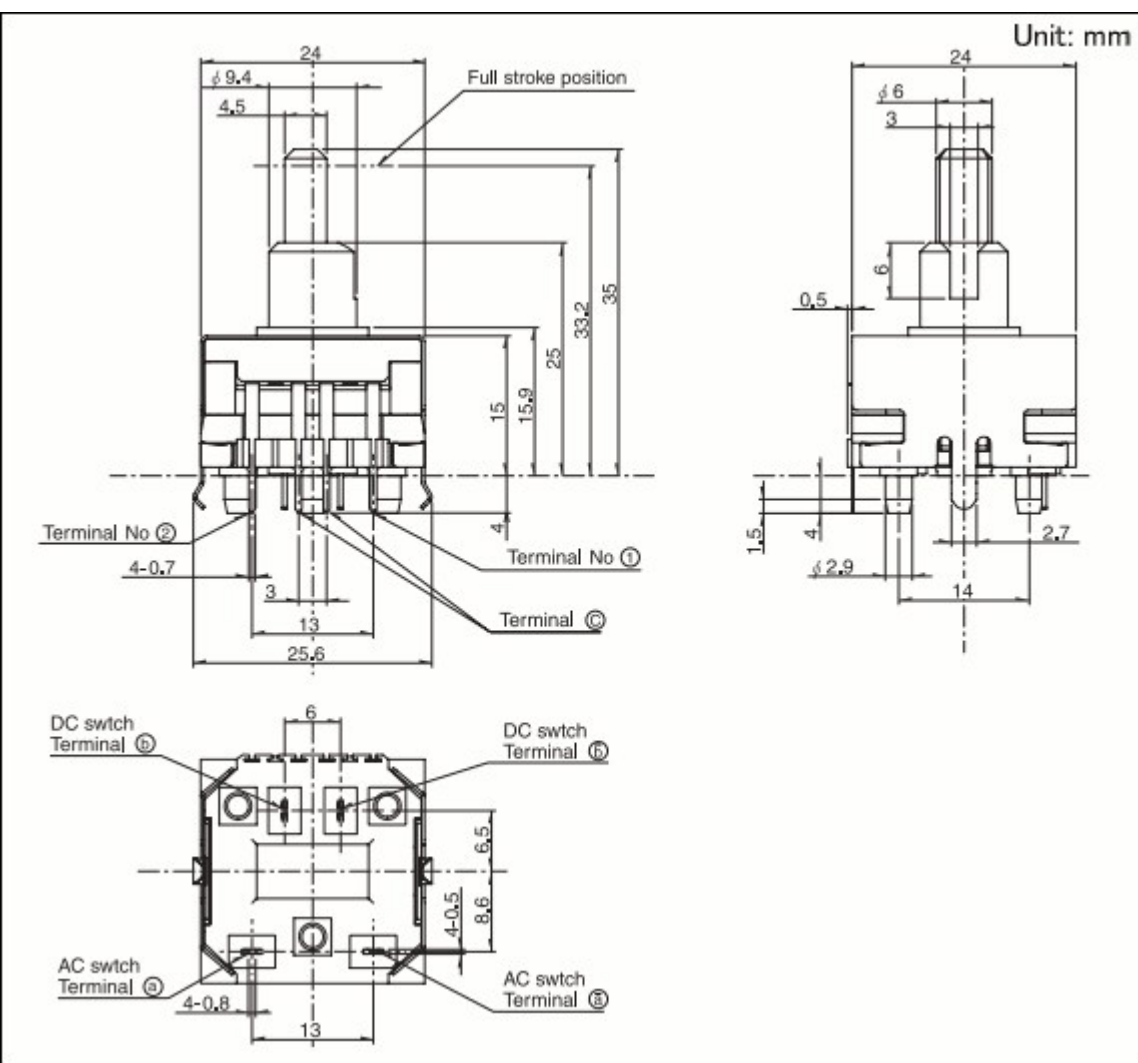
| Dimensions | Mounting Hole Dimensions | Circuit Diagram | Output Wave | Packing Specifications |  
 | Soldering Conditions |

PRINT

Part number		<b>SDDE1C0101</b>	
Type	Rotary		
Travel	Push switch: 1.85mm Encoder: 360° (endless)		
Operating force	Push switch: 4±1N		
Number of detents	12		
Rotational torque	Encoder: 2.65±0.8N·cm		
Mounting method	Snap-in		
Operating temperature range	0°C to +85°C		
Rating	Push switch	AC switch: 1A/16A 250V~ DC switch: 20mA 12V DC	
	Encoder	0.1A 12V DC	
Electrical performance	Contact resistance	Push switch	AC switch: 100mΩ max. DC switch: 500mΩ max.
		Encoder	1Ω max.
	Insulation resistance	Push switch	AC switch: 100MΩ min. 500V DC DC switch: 100MΩ min. 100V DC
		Encoder	100MΩ min. 100V DC
Voltage proof	Push switch	AC switch: 2,000V AC for 1 minute DC switch: 100V AC for 1 minute	
	Encoder	100V AC for 1 minute	
Mechanical performance	Terminal strength	Push switch	AC switch: 5N for 1 minute DC switch: 5N for 30s
		Encoder	5N for 1 minute
	Actuator strength	Operating direction	100N

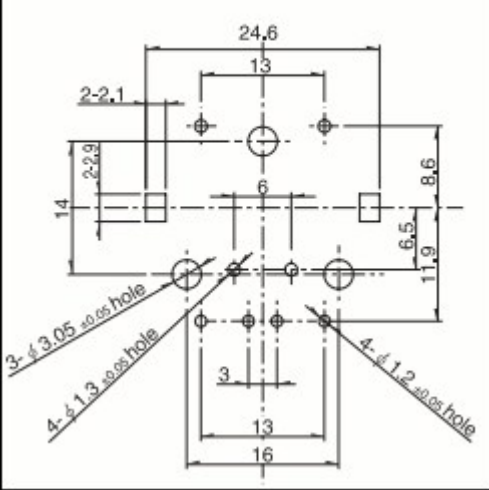
		Perpendicular direction	30N (retract direction)
Durability	Operating life (Load: as ratings.)	Push switch	AC switch: 10,000 cycles DC switch: 10,000 cycles
		Encoder	30,000 cycles
Environmental performance	Cold		-40°C 240h
	Dry heat		85°C 240h
	Damp heat		40°C, 90 to 95%RH 240h
Minimum order unit (pcs.)	Japan		336
	Export		336
3D CAD (STEP)			<a href="#">↓</a>
Certificate of Compliance to RoHS regulations			<a href="#">↓</a>

## Dimensions

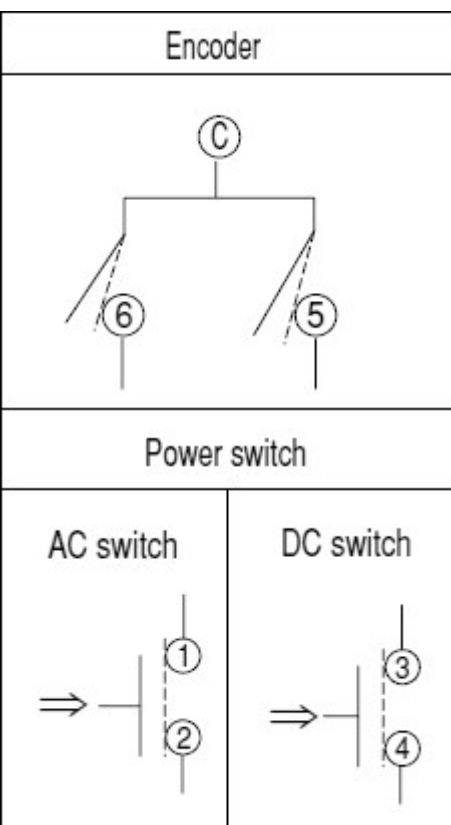


## Mounting Hole Dimensions

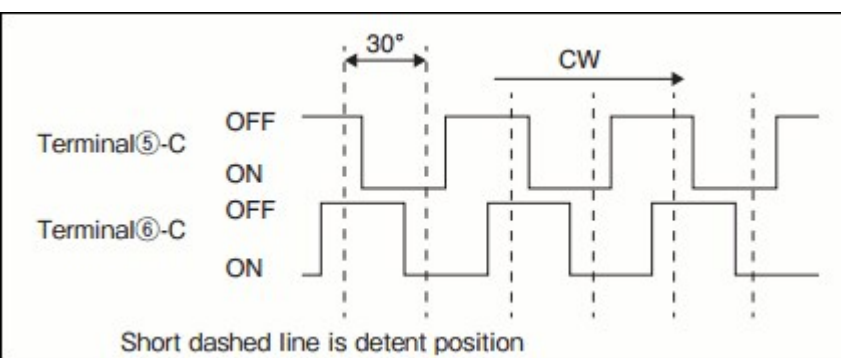
Recommended Hole Dimension  
(t=1.6)



## Circuit Diagram



## Output Wave



## Packing Specifications

### Bulk

(pcs.)

1 case / export  
packing 336

Export package measurements (mm) 411×311×217

## Soldering Conditions

### Reference for Dip Soldering

Dip soldering Soldering temperature 260±5°C

Duration of immersion 10±1s

### Reference for Hand Soldering

Soldering temperature 350±10°C

Soldering time 3+1/0s

Notes are common to this series/models.

1. This site catalog shows only outline specifications. When using the products, please obtain formal specifications for supply.
2. Please place purchase orders per minimum order unit (integer).

## Inquiries about Products

 **Inquiry**